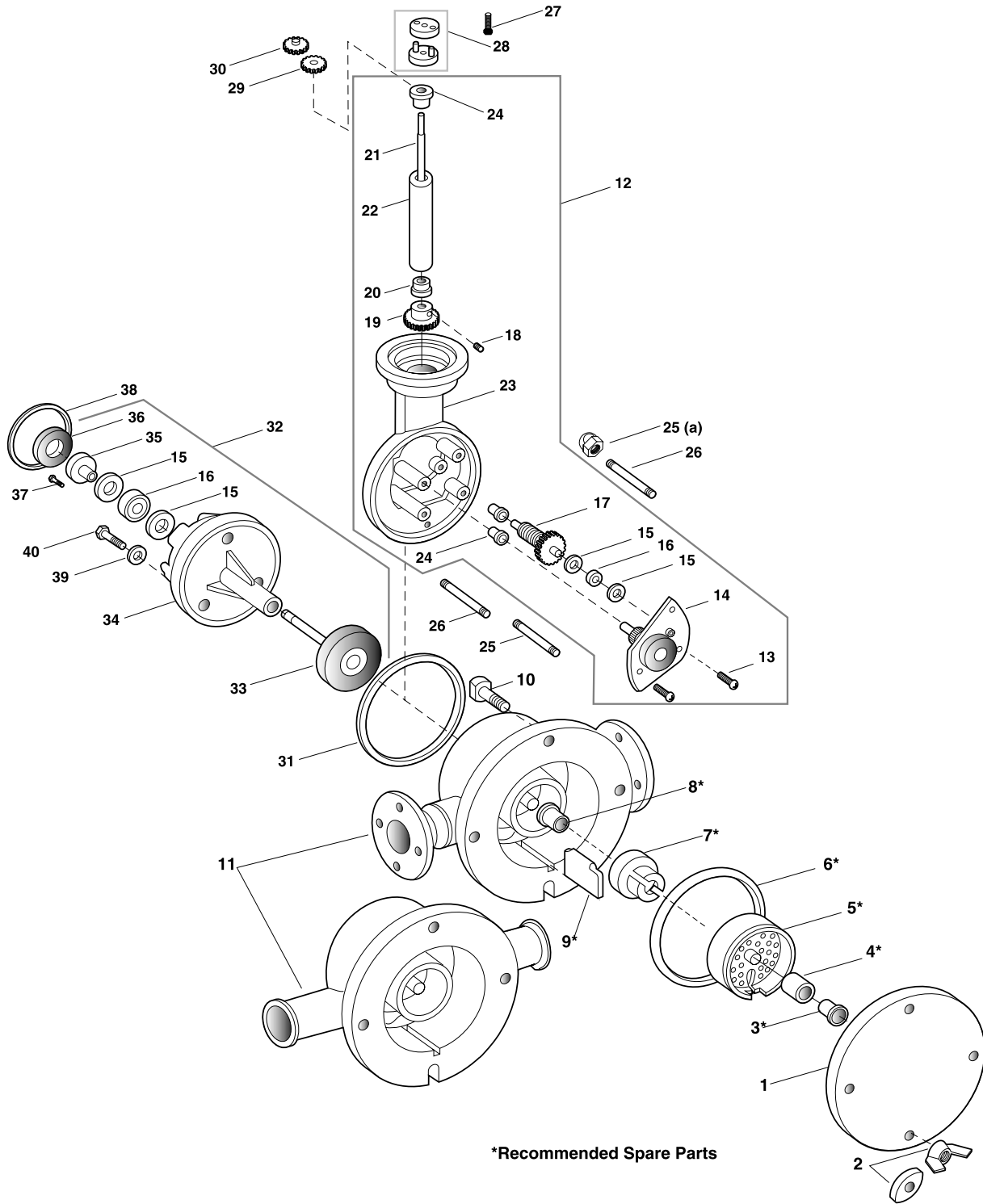


Model 1" OP Chemical & Sanitary

Industrial Oscillating Piston Meter

Repair Parts



BadgerMeter, Inc.

Bulletin No. IRP-106-03

Part No. 53401-106

April 2000

ORDER INFORMATION: This repair parts bulletin shows an exploded view of the product with specific reference to those items available for replacement. The item number and part number may change at any time; therefore it is important when placing an order that a complete description of the part, meter size, model and serial number be provided.

ITEM	PART DESCRIPTION	Chemical	Sanitary
1	Housing Cover	25434-001	25434-005
2	Wing Nut	22086-000	25440-001
*3	Control Roller Bushing (White)	26880-002	26880-002
*3	Control Roller Bushing (Black) for Abrasive Applications	26880-005	-----
*4	Control Roller (Standard)	24179-003	24179-007
*4	Control Roller (W88 Special) - Item 3 not required w/ W88	24179-004	24179-004
*5	Piston, Ryton 40-250°F	58828-001	-----
*5	Piston, Ultem 40-250°F	63110-001	63110-001
*5	Piston, Kynar 40-150°F	32951-000	-----
	Piston, Kynar 150-250°F	32951-001	-----
*6	O-Ring, Buna-N (Yellow Dot)	22650-011	22650-011
*6	O-Ring, Viton-A (White Dot)	22650-015	22650-015
*6	O-Ring, Ethylene Propylene-EPR (Blue Dot)	31132-017	-----
*6	O-Ring, Teflon	22650-009	22650-009
*7#	Magnet Assembly (6 Pole)	33256-001	33256-000
*7#	Magnet Assembly (4 Pole)	57852-002	57852-001
*8	Magnet Assembly Bushing (White)	26881-001	26881-001
*8	Magnet Assembly Bushing (Black) for Abrasive Applications	26881-002	-----
*8	Magnet Assy Bushing (W88 Special)	34583-001	34583-001
*9	Partition Plate	25444-001	25444-003
10	Housing Cover Bolt	25441-000	25441-000
11	Housing, Flanged	34921-007	-----
11	Housing, Flanged (300#)	34921-013	-----
11	Housing, IMDA Thread	-----	34921-002
11	Housing, Quick Clamp Ferrule #14 WHQ (Cherry Burrell)	-----	34921-004
11	Housing, Tri-Clamp Ferrule #14 MPW (Ladish)	-----	34921-006
11	Housing, Tri-Clamp Ferrule #15 WHI (Cherry Burrell)	-----	34921-017
12	Right Angle Drive Assembly (Alum) - (20:1)	25437-002	25437-002
12	Right Angle Drive Assembly (Alum) - (80:1)	25437-010	25437-010
13	Shoulder Screw	24315-000	24315-000
14	Plate & Magnet Assembly (20:1)	26595-000	26595-000
14	Plate & Magnet Assembly (80:1)	26595-002	26595-002
15	Ball Race	22581-000	22581-000
16	Ball Thrust Bearing	24836-000	24836-000
17	Spindle & Gear Assy Worm, (20:1)	24307-000	24307-000
17	Spindle & Gear Assy Worm, (80:1)	24307-001	24307-001
18	Set Screw	55230-194	55230-194
19	Worm Gear (20:1)	24311-000	24311-000
19	Worm Gear (80:1)	24311-001	24311-001
20	Drive Spindle Bushing	22881-034	22881-034
21	Drive Spindle	24312-002	24312-002
22	Drive Spindle Bushing Retainer	32779-000	32779-000
23	Right Angle Drive Housing (Alum. - Gear Train Style)	32777-000	32777-000
23	Right Angle Drive Housing (Alum. - Elect. Accessory/Style)	58712-001	58712-001
24	Spindle Bushing	22881-033	22881-033
25	Stud, 1/4-20 x 1-1/64	24191-011	24191-011
25(a)	Acorn Nut (Need Quantity 3)	22085-000	22085-000
26	Stud, 1/4-20 x 1-29/32 (Need Quantity 2)	24191-014	24191-014
27	Register Mounting Screw	55030-110	55030-110
28	Coupling Assembly for 76 Series Registers	56646-003	56646-003
29	Meter Change Gear, (Specify No. of Teeth & Diameter)	-----	-----
30	Transmitter Change Gear, (Specify No. of Teeth & Diameter)	-----	-----
31	Housing Gasket (Rear Drive Only)	33790-000	33790-000
32	Adapter Assembly	33780-000	33780-000
33	Magnet & Spindle Assembly.....	33786-000	33786-000
34	Adapter & Bushing Assembly.....	33781-000	33781-000
35	Magnet Carrier.....	34980-001	34980-001
36	Magnet.....	23018-001	23018-001
37	Magnet Retaining Screw	55067-060	55067-060
38	Tetraseal	22559-027	22559-027
39	Lockwasher	55274-011	55274-011
40	Screw	55048-279	55048-279

* - Recommended Spare Parts

For prices, refer to Repair Parts Price List.

- Item 7, Magnet Assembly; Use the 6 pole Magnet Assembly for all accessories except for the FT-1 and FT1E transmitters, and the PC100, ER-8 and ER-9 Meter Mount options. For these exceptions, use the 4 pole Magnet Assembly.



BadgerMeter, Inc.

P.O. Box 245036 Milwaukee, WI 53224-9536
 Telephone: (414) 355-0400
 Fax: (414) 355-7499

Due to continuous research, product improvements and enhancements, Badger Meter reserves the right to change product or system specifications without notice.
 All rights reserved.