

Model ST873 DynaProbe pH and ORP Sensors for the Process Industries

[Specifications](#)

[Ordering Information](#)

Description

The ST873 is a rugged, sealed sensor assembly designed for in-line or submersion applications. The patented solid state reference cell features the unique IonTrap™ design for extended service life in the most severe applications. The body, with an integral 1" MNPT insertion thread, is molded from chemically resistant Ryton (PPS) and the reference junction is either porous Teflon or wood. Built-in temperature compensators are available. Optional sensor guard threads onto the front of the sensor and protects the sensor tip from impact. Sensor also available in ORP (Redox) version.

SPECIFICATIONS

pH Range

0-14 pH

ORP Range

± 5000 mV

Temp Range

0 -140° C

Max Pressure/Temp

150 psig at 120° C

Reference

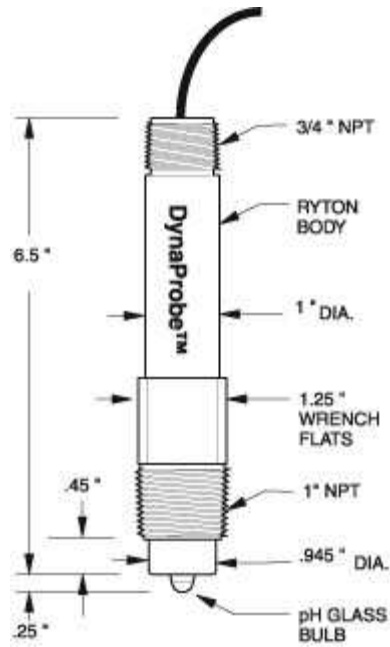
Ag-AgCl

Wetted Materials

Ryton, Teflon or Wood, & Glass

Standard cable length

7 Feet



Model ST873
U.S. Pat. 5,147,524

Options.....



pH DynaProbe™ with Rugged Dome pH Bulb.
Choice of either Teflon or Wood Coaxial Liquid Junction.
Designed to withstand the toughest industrial applications for best overall performance.



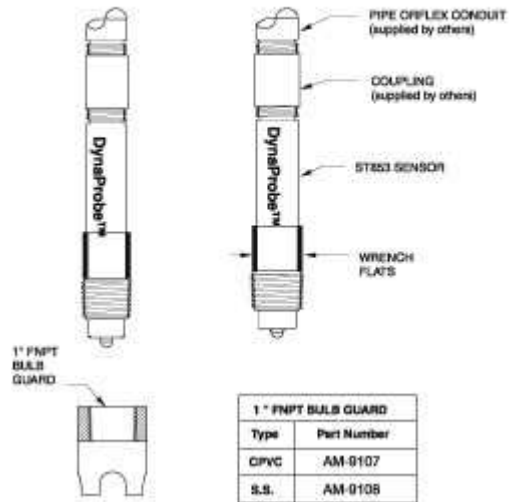
pH DynaProbe™ with Flat pH Bulb.
Choice of Teflon Coaxial Liquid Junction only.
Designed for obstructionless contact with the sample stream for self cleaning service.



ORP DynaProbe™ with Platinum Band.
Choice of either Teflon or Wood Coaxial Liquid Junction.
Designed for measuring the Oxidation- Reduction Potential of the sample.

SUBMERSION INSTALLATION:

The Model ST973 is readily converted into a submersion sensor by the installation of a threaded bulb guard.



IN-LINE INSTALLATION:

The Model ST873 is ready for an in-line sensor installation with the integral 1" MNPT insertion thread.

