

OVAL GEAR FLOWMETER ELECTRONIC MODEL 040 / 1½"

INSTRUCTION MANUAL



To the Owner

PLEASE READ THIS SAFETY INFORMATION CAREFULLY BEFORE USE.

Read and retain this instruction manual to assist you in the operation and maintenance of this product.

If you have any problems with the meter, refer to the maintenance and trouble shooting sections of this manual.

This manual contains connection and operating instructions for meters with Pulse outputs.

Models with a Liquid Crystal Display have an additional LCD instruction manual supplied. If you need further assistance, contact your local representative or distributor for advice.

This Flow Meter has incorporated the oval rotor principal into its design. This has proven to be a reliable and highly accurate method of measuring flow.

Exceptional repeatability and high accuracy over a wide range of fluid viscosities and flow rates are features of the oval rotor design. With a low pressure drop and high pressure rating oval rotor flow meters are suitable for both gravity and pump (in line) applications.

This instruction manual covers pulse meters constructed in Aluminium or Stainless Steel. Also included are the high pressure versions of this model.

Important Information



WARNING

Before use, confirm the fluid to be used is compatible with the meter. Refer to Industry fluid compatibility charts or consult your local representative for advice.

To prevent damage from dirt or foreign matter it is recommended that a Y or Basket type 60 mesh strainer be installed as close as possible to the inlet side of the meter. Contact your local representative for advice.



CAUTION

When a strainer is installed it should be regularly inspected and cleaned. Failure to keep the strainer clean will dramatically effect flow meter performance.



CAUTION

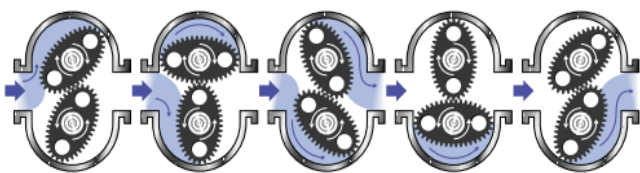
To prevent damage caused by air purge slowly fill the meter with fluid. To reduce pressure build up turn off the pump at the end of each day.

Maintenance can be carried out to the liquid crystal displays and pulse units without removing or isolating the meter from the line. When maintenance to any other part of the meter is required, the meter must be isolated and the line pressure reduced.

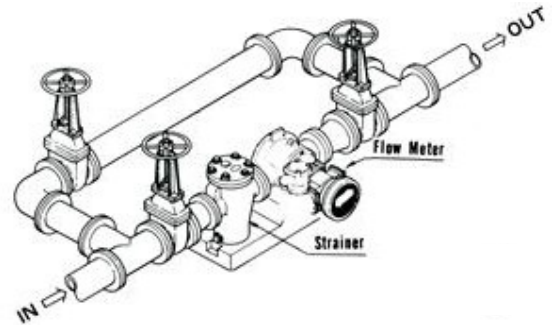
The reed switch pulse unit can cause inaccurate rate counts when used with high speed counters. It is advised that a debounce circuit be used. Contact

Operating Principle

When fluid passes through the meter the rotors turn, as shown below. The magnets which are located in the rotors will pass across the pulser circuit board (containing either Reed switches or Hall Effect sensors). A signal is generated which is then sent by the Pulse Circuit Board (PCB) to the relevant LC display or receiving instrument..



Installation Procedure



- 1) It is recommended that when setting up pipe work for meter installations a bypass line be included in the design. This provides the facility for a meter to be removed for maintenance without interrupting production. (see figure above)
- 2) Use thread sealant on all pipe threads.
- 3) For pump applications ensure pipe work has the appropriate working pressure rating to match the pressure output of the pump. See Meter Specifications section for further details.
- 4) Install a wire mesh strainer, Y or basket type 60 mesh (250 micron) as close as possible to the inlet side of the meter.
- 5) Ensure that the meter is installed so that the flow of the liquid is in the direction of the arrows embossed on the meter body.
- 6) The meter can be installed in any orientation as long as the meter shafts are in a horizontal plane. (Refer to figures to the right for correct installation) The register assembly may be orientated to suit the individual.
Note: Incorrect installation can cause premature wear of meter components.
- 7) Do not over tighten meter connections. Note: Incorrect installation can cause premature wear of meter components.
- 8) It is important that after initial installation you fill the line slowly, high speed air purge could cause damage to the rotors.
- 9) Test the system for leaks.
- 10) Check the strainer for swarf or foreign material, after the first 200 litres check periodically, particularly if the flow rate decreases.



Do Not Install Meter This Way

Maintenance Procedures

Disassembly

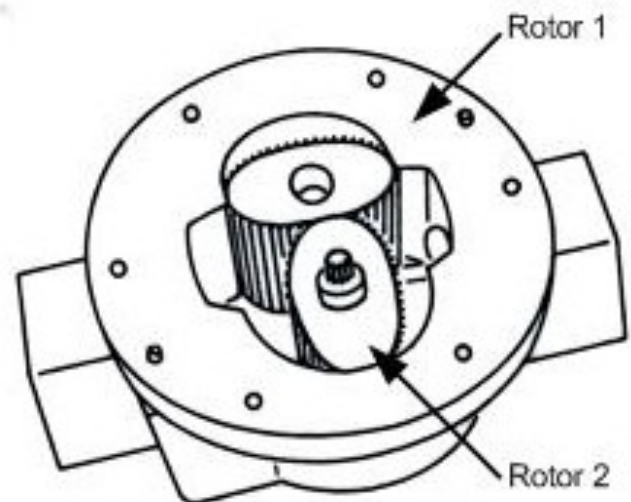
Ensure that the fluid supply to the meter is disconnected, and the line pressure is released before disassembly, with the exception for repair or maintenance to the LC Display or PCB where there is no necessity to isolate the meter from flow. Refer to the exploded parts diagram on subsequent pages for item numbers.

- 1) Pulse Caps Models: Undo the conduit connector, remove pulse cap (item 9) and remove the wires from the pulse terminal board (item 5).
- 2) Standard LC Display: Mark the display orientation with a marking pen, unscrew the four large screws on top of the LC Display. Carefully separate the LC Display from the plastic housing and disconnect the wires from the pulse terminal block. (Refer to additional LCD instruction manual accompanying these instructions). Remove the mounting adaptor plate and gasket.
- 3) Loosen the cap head screws (Item 7) that hold down the meter cap (Item 4), remove the screws, washers and lift off the cap.
- 4) Remove the o-ring (Assembly Item 2) from the o-ring groove in the meter cap (Assembly Item 4).
- 5) Remove rotors (Item 3).

Reassembly

- 1) Before reassembling check the condition of the rotors (replace if necessary).
- 2) Check that the smooth side of the rotors (not the plug side) is facing you when inserting the rotors, the smooth side of the rotor is the magnet side. There is no difference between rotor one or rotor two.
- 3) Replace the rotors (Item 3) onto the shafts at 90 degrees to each other (refer Fig) and check their operation by turning either of the rotors. If the rotors are not in mesh correctly or do not move freely, remove one of the rotors and replace correctly at 90 degrees to the other rotor.
- 4) Re-check the operation of the rotors
- 5) Replace the o-ring (Item 2) into groove in the meter cap, if the o-ring has grown or is damaged in any way replace it with a new part.
- 6) Replace the meter cap making sure that the locating pin in the body lines up with the hole in the meter cap.

- 7) Insert the cap head screws (Item 7) and tighten in a diagonal sequence 1, 3, 2, 4, etc.
- 8) The replacement of cables and connectors are a reversal of the disassembly procedure, replace conduit fitting if required.
When replacing the Standard LC Display confirm the orientation marks made on disassembly are aligned then screw the register into place.
- 9) Test the meter by turning the rotors with a finger or by applying very low air pressure (no more than a good breath) to one end of the meter, before returning the meter to the line.



Rotors Must be 90° to each other

Flowmeter

		Metric	US
Flow Range	Below 5 cP	15 to 235 L/min	4 to 62 G/min
	5 to 1000 cP	10 to 250 L/min	2.6 to 66 G/min
K-Factor (Sensor Pulses per Unit of Measure)		14.50 pulses/L	54.89 pulses/G
Operating Temperature (Standard Version)		-40°C - 80°C	-40°F - 176°F
Maximum Operating Pressure ¹		13790 kPa	2000 psi
Accuracy of Reading		±0.5%	

1. Conforms to Directive 97/23/EC—Cat 1

High Specification Flowmeters

The following specifications apply when high temperature or high viscosity options are used.

	Metric	US
High Temperature	120°C	248°F
High Viscosity	Above 1000 Centipoise	

Pulser Board/Sensor Specifications

There are 2 pulse board options with all Macnaught pulse flowmeters:

- Standard Option 1 - 1x Reed Switch 1x Hall Effect Output
- Hazardous Option 2 - 2x Reed Switch Output

Output Signals	Standard Pulse Meter		2x Digital (Square Wave)
Reed Switch ² (Mechanical Sensor)	Current	Maximum	500mA
	Voltage	Maximum	30V DC
	Contact Rating	Maximum ³	10W
Hall Effect IC ² (Electronic Sensor)	Maximum Current		7.5mA
	Operating Voltage		4.5V to 24V DC
	Transistor Type		Open-Collector NPN

2. Voltage & current specifications apply per sensor (not combined).

3. Contact rating maximum is 10W. Neither current nor voltage maximums should be exceeded in achieving this.

Analogue Output (4-20mA)

Analogue outputs are available as an auxiliary display signal by including either of the following LCD displays with your flowmeter. These may be fitted to the meter or remote (wall mount) types.

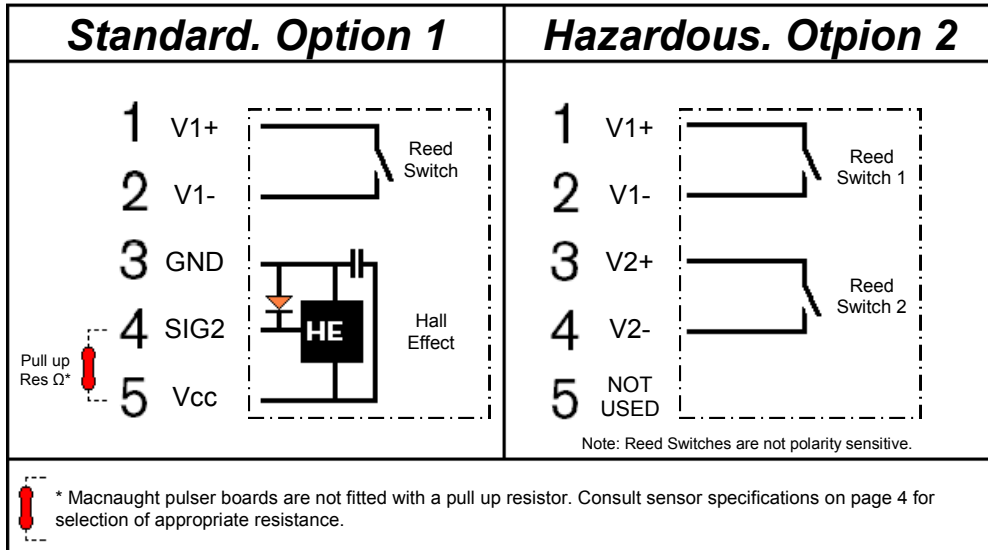
- DRA** Small display with analogue output module
- ERA** Large display with analogue output module

Pulser Wiring Diagram



Please read this information carefully before installation

Hall effect sensors require an external pull up resistor to be fitted by the installer for correct operation. Powering a Hall effect sensor without a resistor wired between the supply voltage and the signal line will result in damage to the sensor.



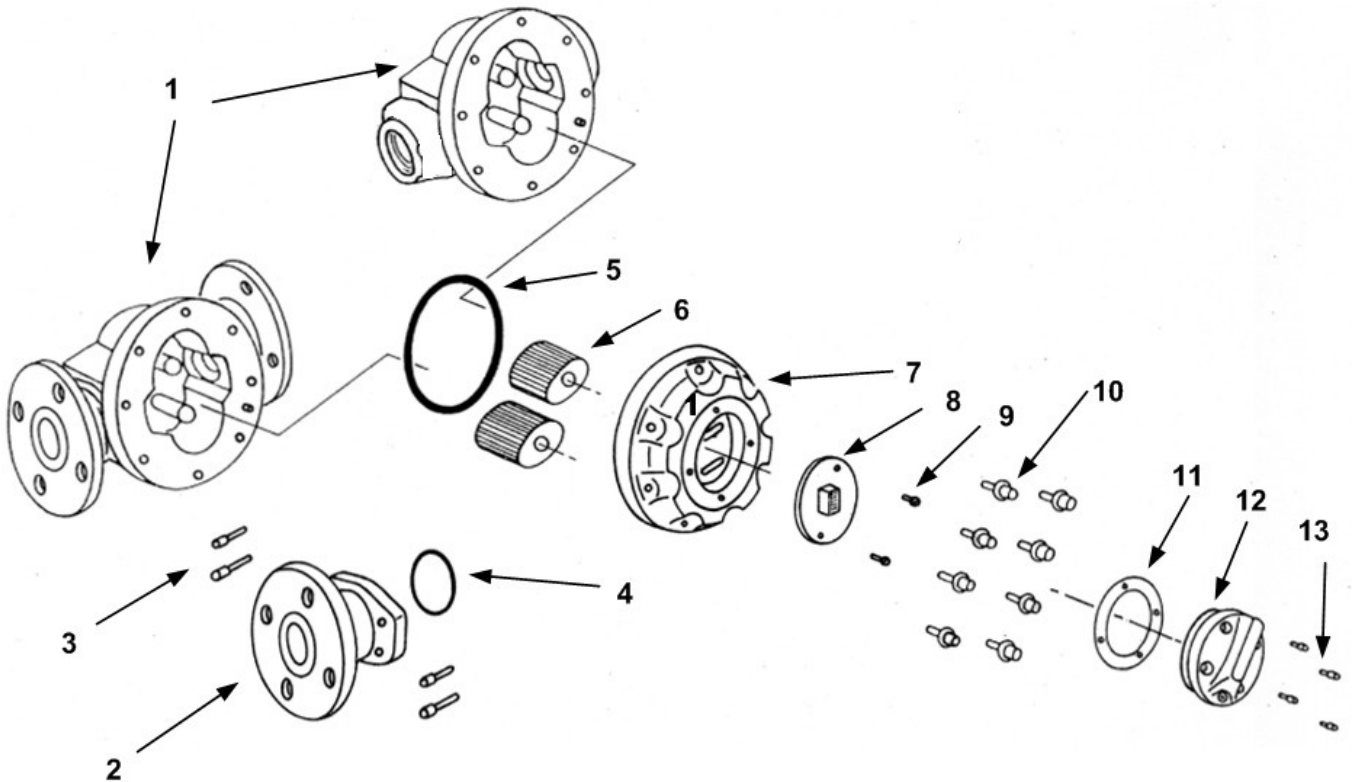
Note: Consult the following instruction sheets if the flow meter is fitted with an LCD Display.

Display Part Number:	DR	DRA	ER	ERB	ERA	ERS
Instruction Sheet:	DR013	DR014	MS574	MS392	MS476	MS351

Troubleshooting Guide

Problem	Cause	Remedy
Fluid will not flow through meter	a) Foreign matter blocking rotors b) Line strainer blocked c) Damaged rotors d) Meter connections over tightened e) Fluid is too viscous	a) Dismantle meter, clean rotors (strainer must be fitted in line) b) Clean strainer c) Replace rotors (Strainer must be fitted in line) d) Re-adjust connections e) See specifications for maximum viscosity
Reduced flow through meter	a) Strainer is partially blocked b) Fluid is too viscous	a) Clean strainer b) See specifications for maximum viscosity
Meter reading inaccurate	a) Fluid flow rate is too high or too low b) Fluid is too viscous c) Excess wear caused by incorrect installation	a) See specifications for minimum and maximum flow rates b) Bleed air from system c) Check meter body and rotors. Replace as required. Refer to installation instructions
Meter not giving a pulse signal	a) Faulty hall effect sensor b) Faulty reed switch c) Magnets failed	a) Replace PCB Board b) Replace PCB Board c) Replace magnets
LCD register not working	a) Battery not connected properly b) Battery flat c) Faulty wiring connections d) Faulty LC Display e) Faulty connection from LC Display	a) Check battery connections b) Replace battery c) Check wiring for loose or faulty connections d) Replace LC Display e) Check wiring connections

Exploded Diagram



Parts Identification

Item No.	Part Description
1	Meter Body
2	Flanged Process Connection
3	Adaptor Bolts
4	Adaptor O-Rings
5	Meter Cap O-Ring
6	Rotor Set
7	Meter Cap
8	Printed Circuit Board
9	PCB Mounting Screws
10	Meter Cap Screws
11	Pulser Cap Gasket
12	Pulser Cap
13	Pulser Cap Screws

Spare Parts Kits

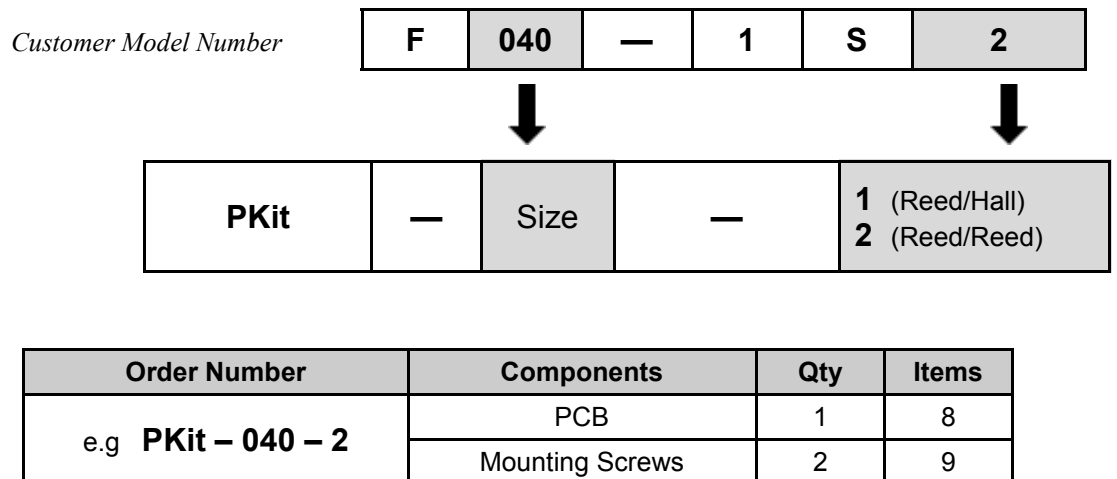
There are 4 **Spare Kit** options available for the purchase of replacement components:

- Pulser Kit (PKit) - Replacement PCB.
- Flange Kit (FSKit) - O-Ring set for Flanges
- Rotor Kit (RKit) - Complete Rotor assembly
- Seal Kit (SKit) - Complete set of O-Rings/Gaskets

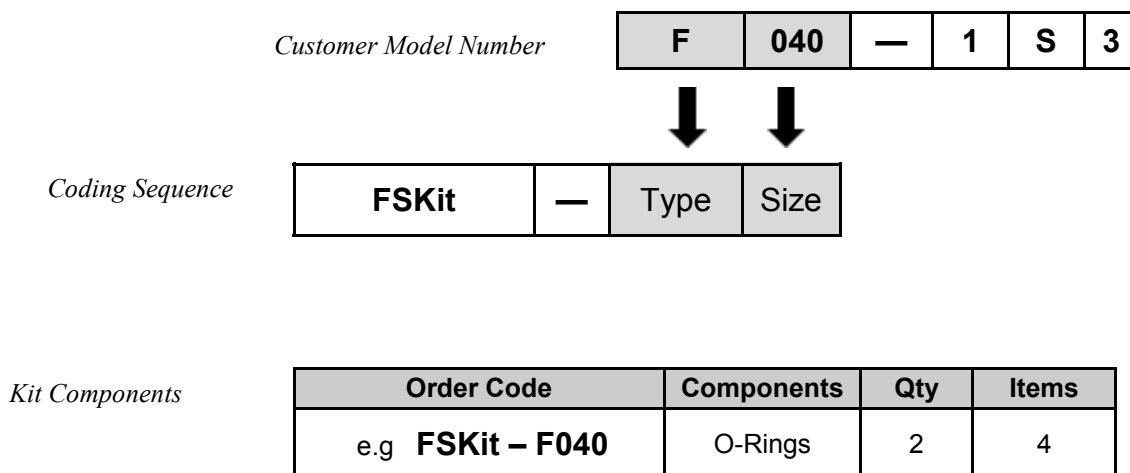
Spare Kit Coding Procedure.

1. Determine what type of Spare Parts Kit is required (e.g. Rotor Kit)
2. Use the 'Coding Sequence' to construct a part number according to the meter type.

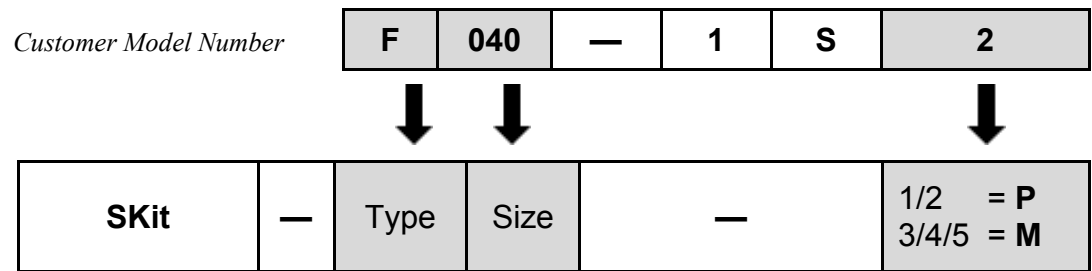
Pulser Kit - (P Kit)



Flange Seal Kit - (FS Kit)



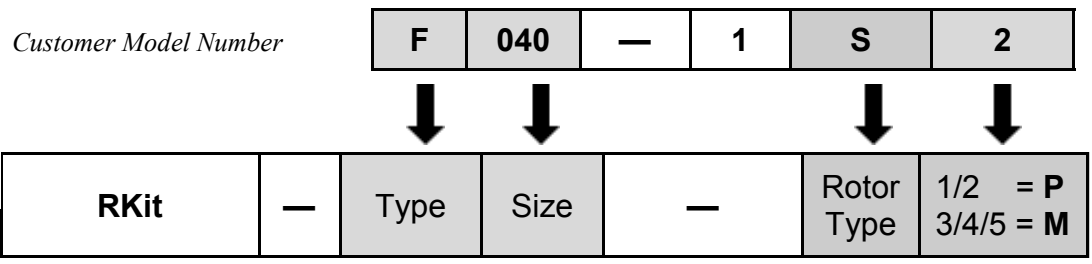
Seal Kit - (S Kit)



Kit Components

Order Number	Components	Qty	Items
e.g SKit – F040 – P	Pulser Cap Gasket	1	11
	Meter Body O-Ring	1	5

Rotor Kit - (R Kit)



Kit Components

Order Number	Components	Qty	Items
e.g RKit – F040 – SP	Complete Rotor Assembly	1 set	6
	Meter Body O-Rings	1	5
	Meter Cap Screws	8	10

Wetted Parts

Component	Type 'F'	Type 'S'	Type 'M'
Meter Body	Al	Al	SS
Meter Cap	Al	Al	SS
Rotor Shafts	SS	SS	SS
Rotors - Standard	PPS	Al	PPS
- High Temp.	-	-	SS
- High Viscosity.	PPS	SS	PPS
Rotor Bushes	-	CA	CA
O-Rings	FKM	K	K

K - FEP/PTFE Encapsulated

SS - Stainless Steel 316 /304

Al - Aluminium AA610

CA - Carbon

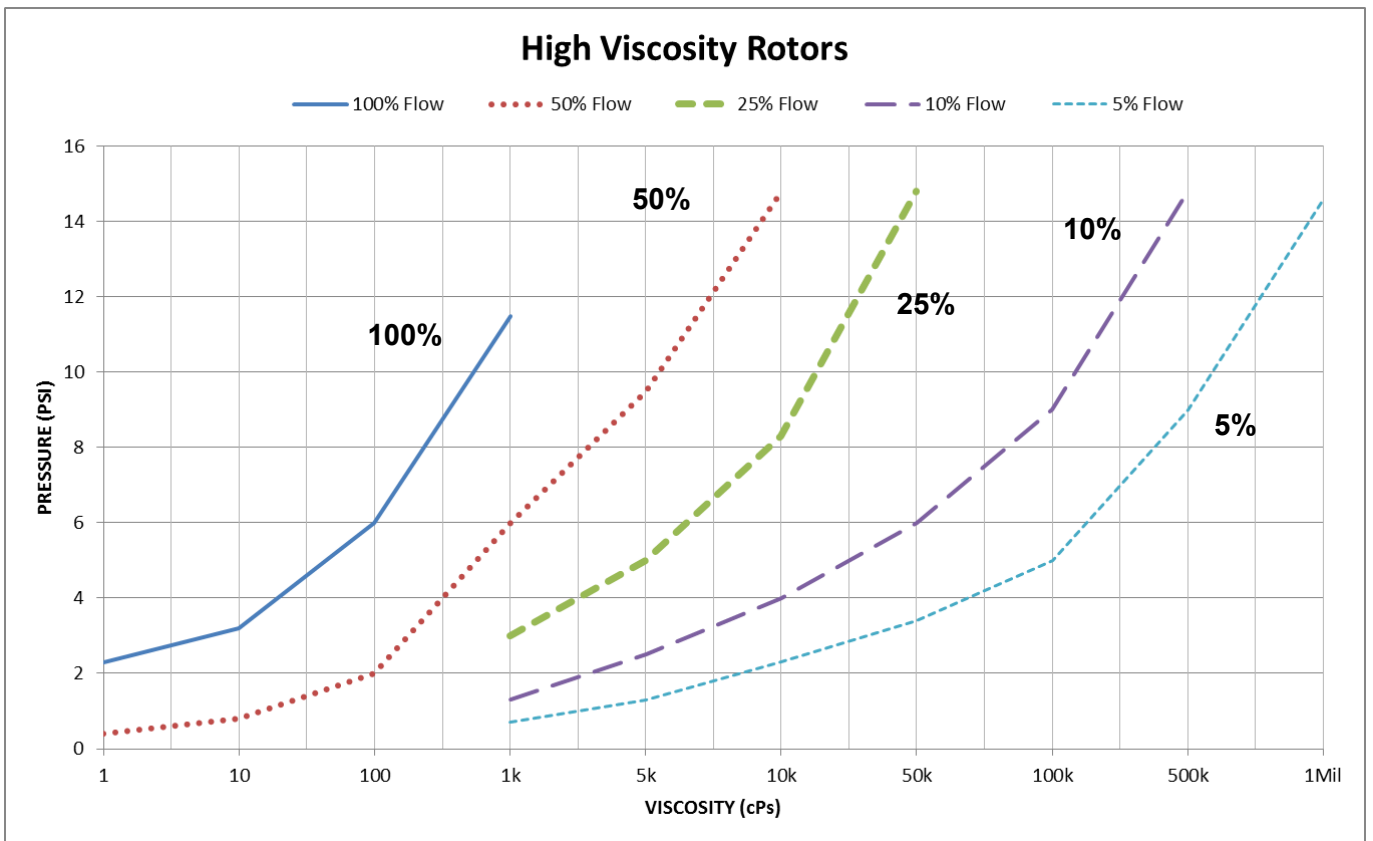
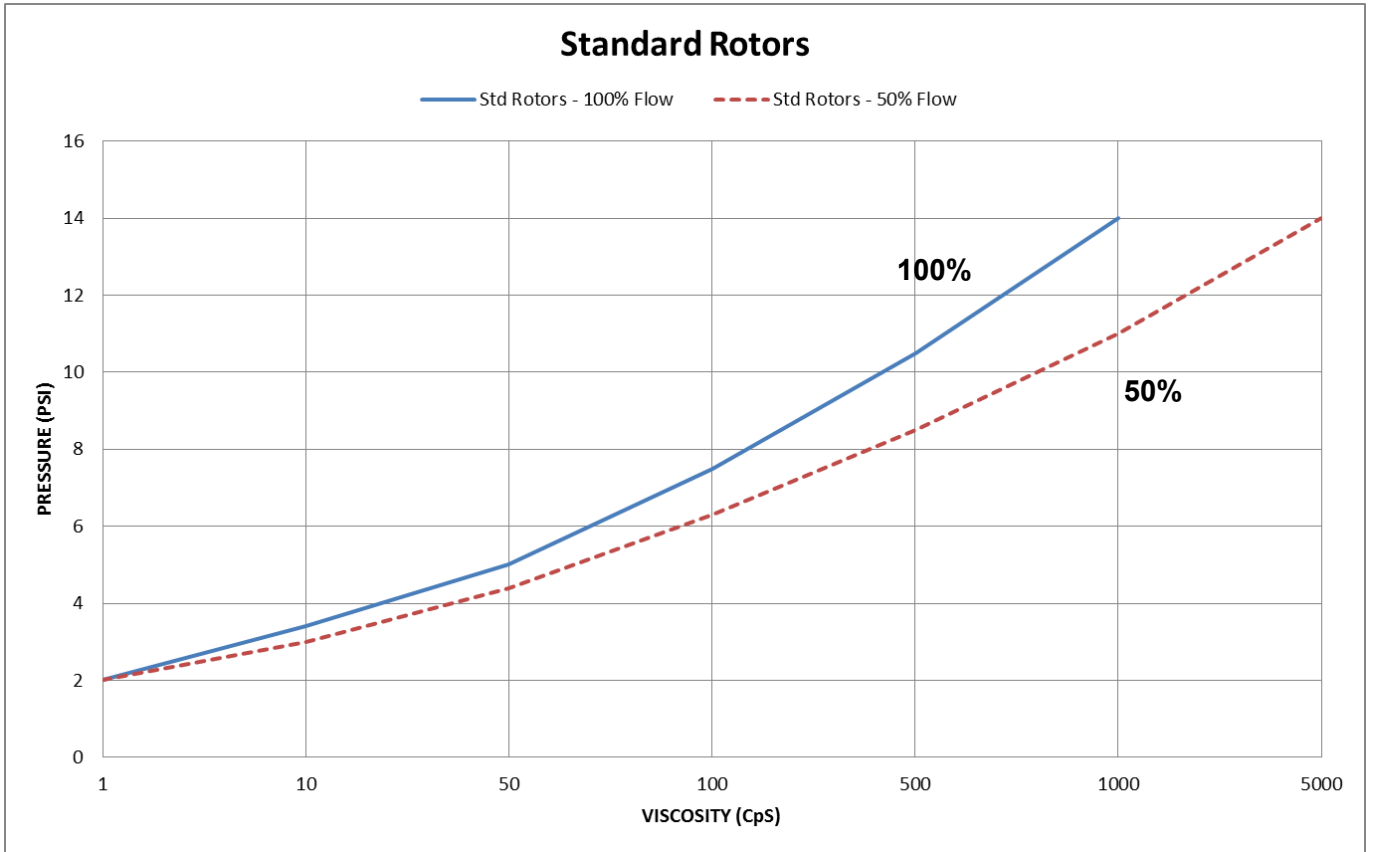
FKM - Viton[®]

PPS - Polyphenylene Sulphide

PVDF - Polyvinylidene Flouride

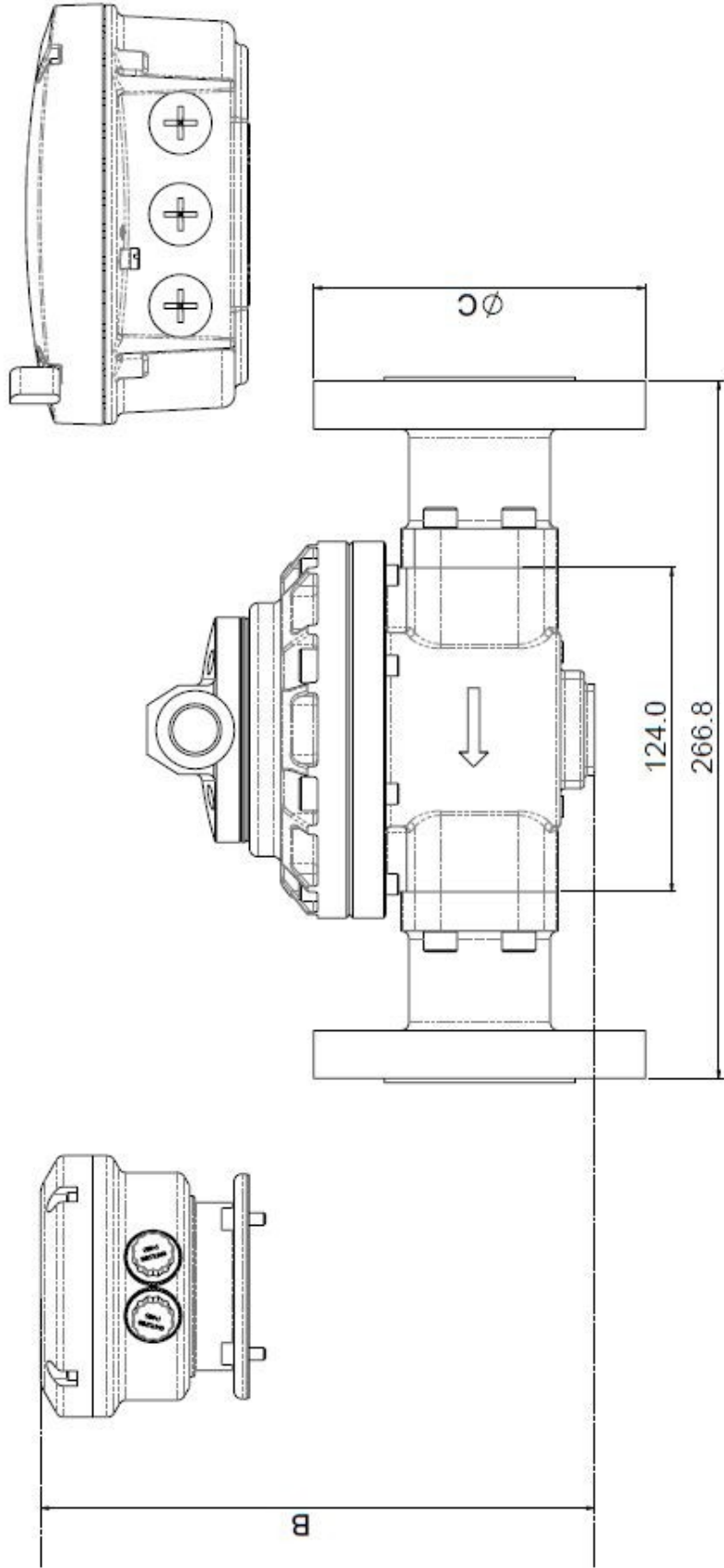
FFKM - Perfluoro Elastomer

Hast C - Hastelloy C[™]

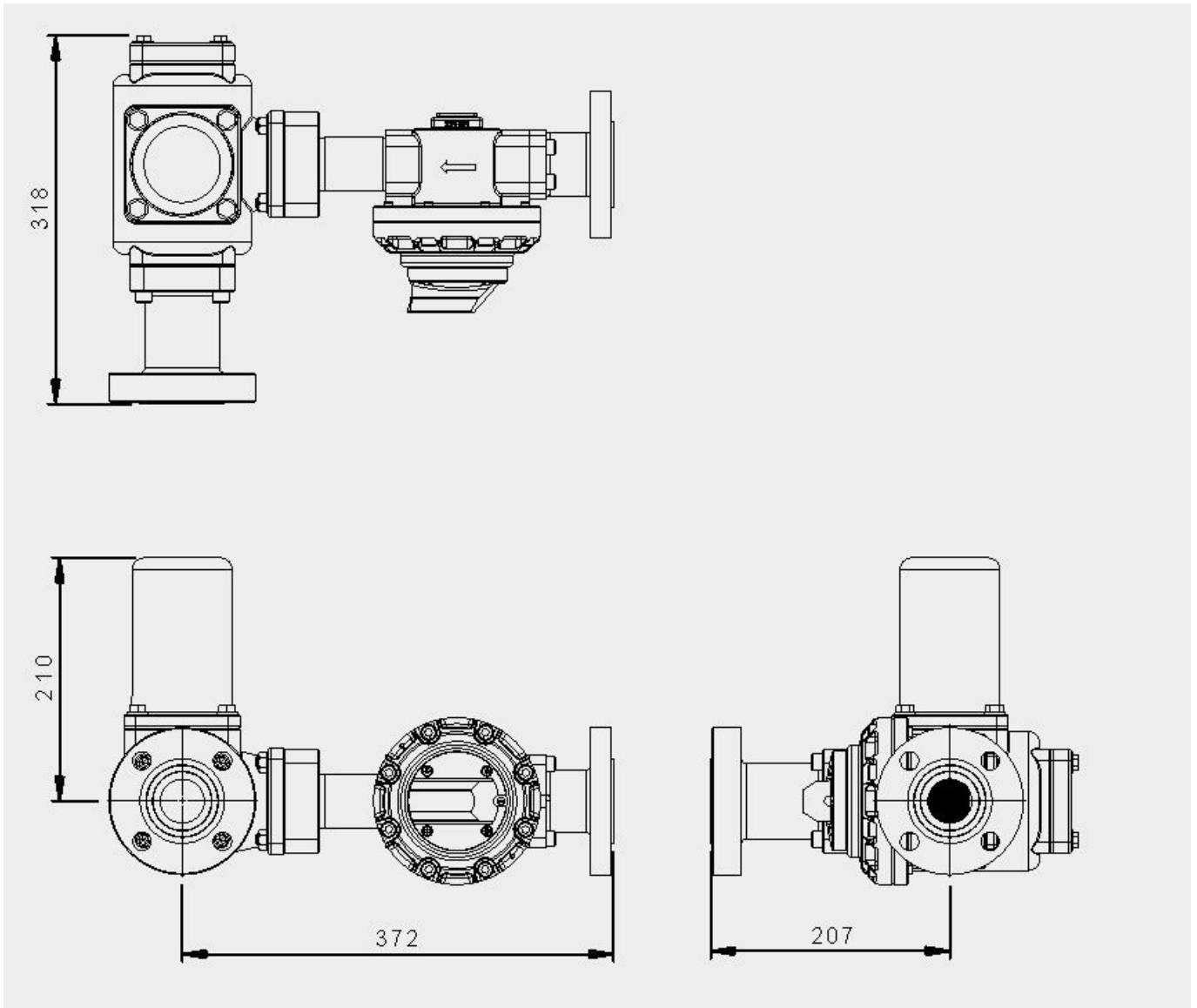


M040 - PULSE AND ELECTRONIC REGISTER

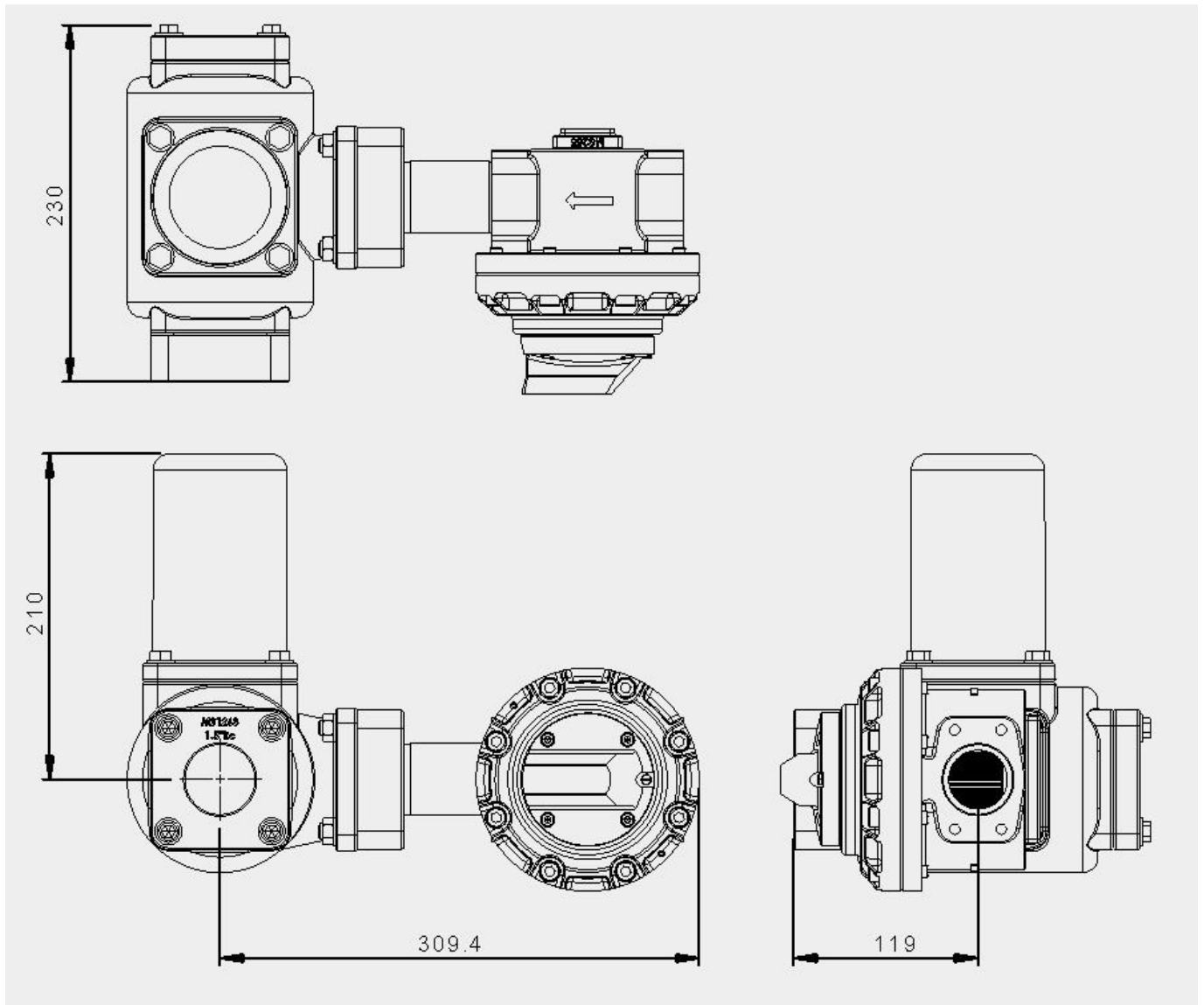
	ANSI		DIN		JIS		BSP		NPT	
	B	C	B	C	B	C	B	C	B	C
PULSE	171	127	171	150	171	140	171	N/A	171	N/A
DR	212	127	212	150	212	140	212	N/A	212	N/A
ER	217	127	217	150	217	140	217	N/A	217	N/A



1 1/2" Flange



1½" Threaded Connection



WEEE Directive - Waste Electrical and Electronic Equipment



The WEEE Directive requires the recycling of waste electrical and electronic equipment in the European Union.

Whilst the WEEE Directive does not apply to some of Macnaught's products, we support its policy and ask you to be aware of how to dispose of this product.

The crossed out wheeled bin symbol illustrated and found on our products signifies that this product should not be disposed of in general waste or landfill.

Please contact your local dealer national distributor or Macnaught Technical Services for information on product disposal.

macnaught warranty

Macnaught Pty Ltd ("Macnaught") warrants that all products manufactured by Macnaught and/or supplied by Macnaught under the "Macnaught" brand, excluding Macnaught Flow Measurement products, components subject to wear and electronic or electrical components, will be free from any defects caused by faulty materials or workmanship ("Warranty") for a period of 5 years from the date of purchase of the product.

For products (excluding Macnaught Flow Measurement products) which carry the "Macnaughtdesign" endorsement, an additional Warranty period of 5 years applies to all mechanical components, giving a total Warranty period of 10 years for mechanical components.

For Macnaught Flow Measurement products, the Warranty period is 2 years from the date of purchase of that product.

For components contained in all products which are usually subject to wear from normal operation of the products (such as o-rings, seals, bushes, springs (excluding Retracta coil spring), hoses and rechargeable batteries), the Warranty period is 12 months from the date of purchase of the relevant product.

For any electronic or electrical component which may be contained in a product, the warranty period is 2 years from the date of purchase of the relevant product.

For products and components which are not manufactured by Macnaught and are supplied by Macnaught under a brand name other than "Macnaught", the Warranty period is the longer of 12 months from the date of purchase of the relevant product and the period of the manufacturer's warranty.

The warranties contained in clauses 1, 2, 3, 4, 5 and 6 above are conditional on the purchaser, during the relevant Warranty period:

delivering to Macnaught a detailed notice setting out full details of any defect in any product and details of the date and place of purchase (together with copies of purchase receipts and/or other supporting documents); and

at the purchaser's own cost, returning the defective product to the nearest authorised Macnaught service centre.

Subject to compliance by the purchaser with clause 6, Macnaught shall, at its option, repair or replace any product or component found defective by its inspection by reason of faulty materials or workmanship of Macnaught.

This Warranty does not cover the failure of products, parts or components which, in the sole judgment of Macnaught, arises other than from faulty materials or workmanship of Macnaught, including misuse, abrasion, corrosion, negligence, accident, substitution of non-Macnaught parts, unauthorised modification, improper use, storage or handling, faulty installation or tampering by the purchaser or any third party.

If Macnaught's inspection discloses no defect in material or workmanship, repair or replacement and return (at Macnaught's sole option) will be made at customary charges, which will be advised to the purchaser.

Macnaught's liability and the purchaser's rights under this Warranty shall be limited to the repair or replacement of defective products or components and in particular, shall not extend to any direct, special, indirect or consequential damage or losses of any nature.

The foregoing Warranty supersedes, voids and is in lieu of all or any other warranties.

This Warranty does not form part of, nor does it constitute, a contract between Macnaught and the end-user or purchaser. It is additional to any warranty given by the seller of the products. This Warranty does not exclude, limit, restrict or modify the non-excludable rights or remedies conferred upon the end-user or purchaser, or the non-excludable duties or liabilities imposed on the seller or Macnaught, by Part V, Divisions 2, 2A and Part VA of the Trade Practices Act 1974 (Commonwealth) or other legislative provisions. Macnaught otherwise excludes, to the extent permitted by law, any rights conferred on the end-user or purchaser or duties or liabilities imposed upon Macnaught.



Macnaught Pty Limited

ABN 66 000 075 785

41-49 Henderson Street
Turrella NSW 2205 Sydney Australia
Postal Address PO Box 90
Amcliffe NSW 2205 Sydney Australia

T: +61 2 9567 0401

F: +61 2 9597 7773

W: www.macnaught.com.au