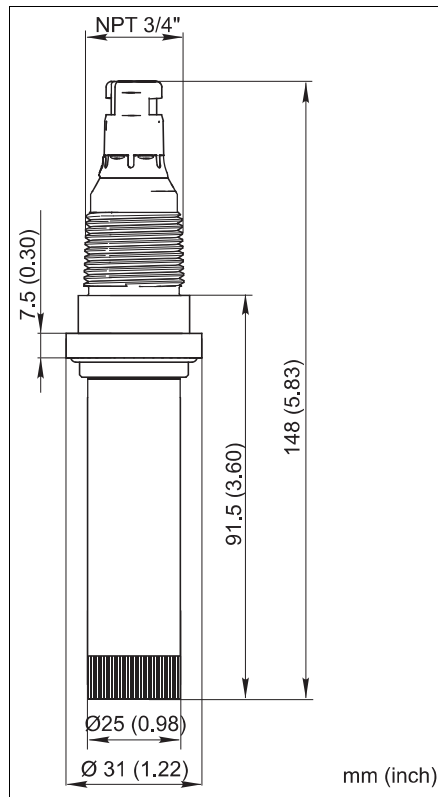


## Mechanical construction

### Dimensions



Dimensions

### Weight

approx. 0.1 kg (0.22 lbs)

### Material

Sensor shaft:	PVC
Membrane:	PTFE
Membrane cap:	PBT (GF 30), PVDF
Cathode:	Gold
Anode:	Silver / silver chloride

### Cable length

max. 100 m (330 ft), incl. cable extension

## Ordering information

### Product structure

					<b>Measuring range</b>
				A	0.05 to 20 mg/l (0.05 to 20 ppm)
				G	0.01 to 5 mg/l (0.01 to 5 ppm)
					<b>Approval</b>
				A	Non-hazardous area
					<b>Sensor head type</b>
				S	Thread NPT 3/4, Memosens plug-in head
					<b>Cable length</b>
				8	Standard: without cable
					<b>Accessories</b>
				0	None
CCS142D-					Complete order code