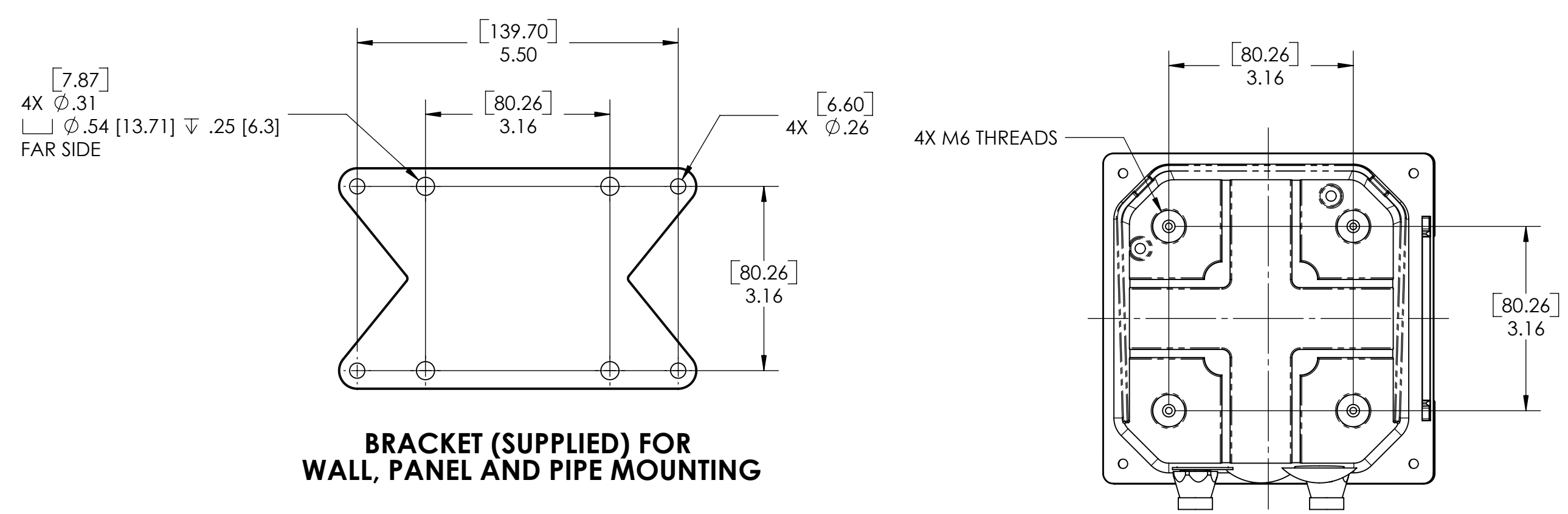
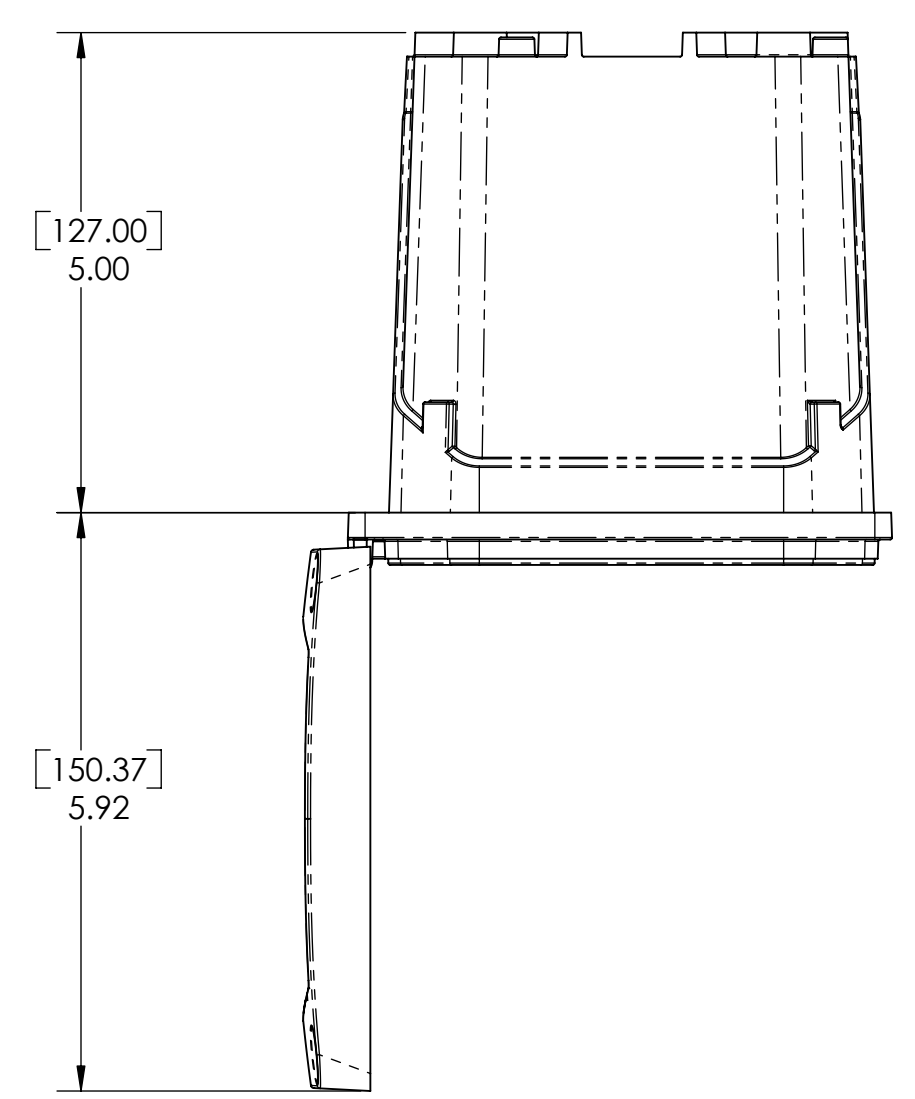
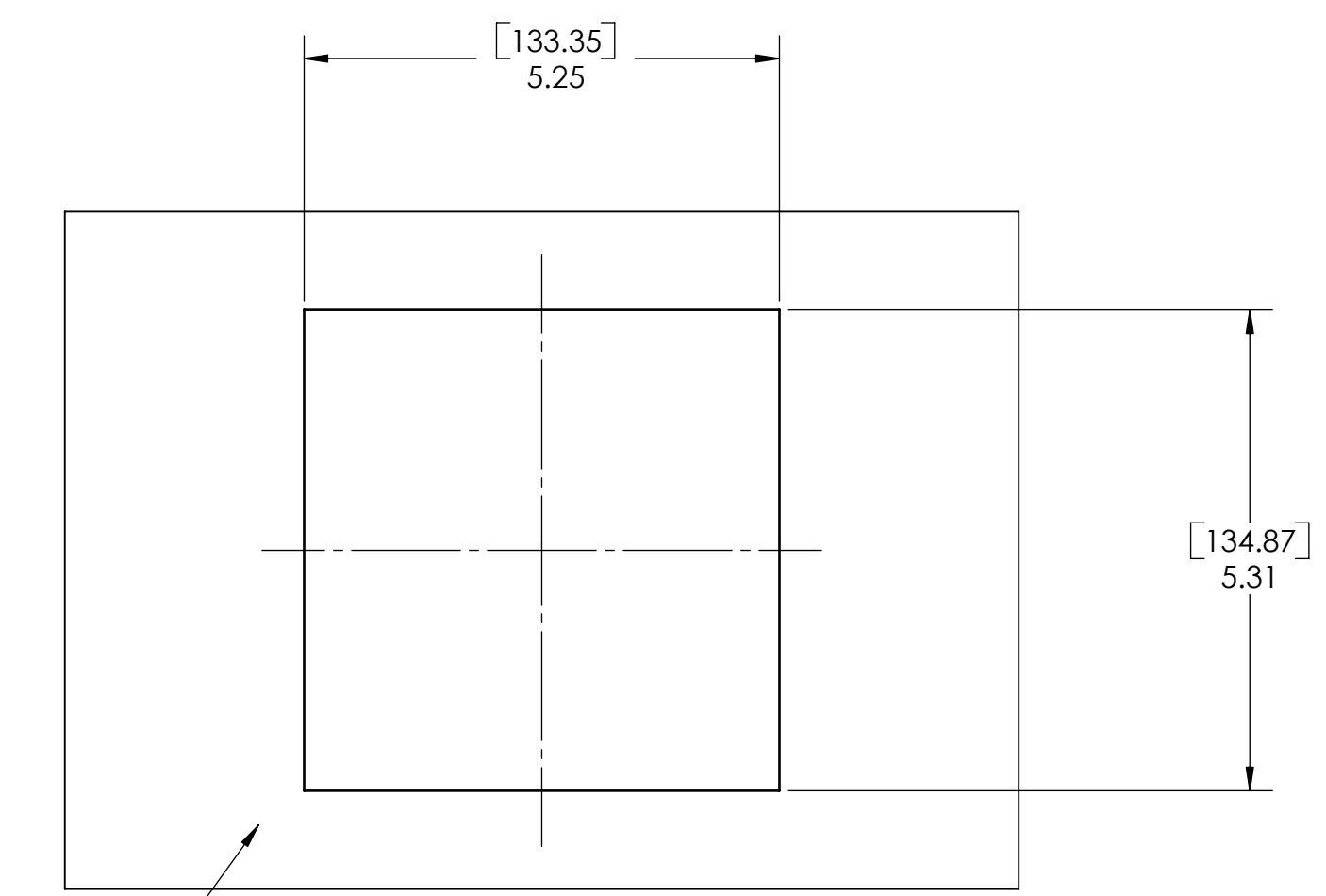


REVISION		
REV	DESCRIPTION	APPROVED
B	REVISED PER R-2824-06	

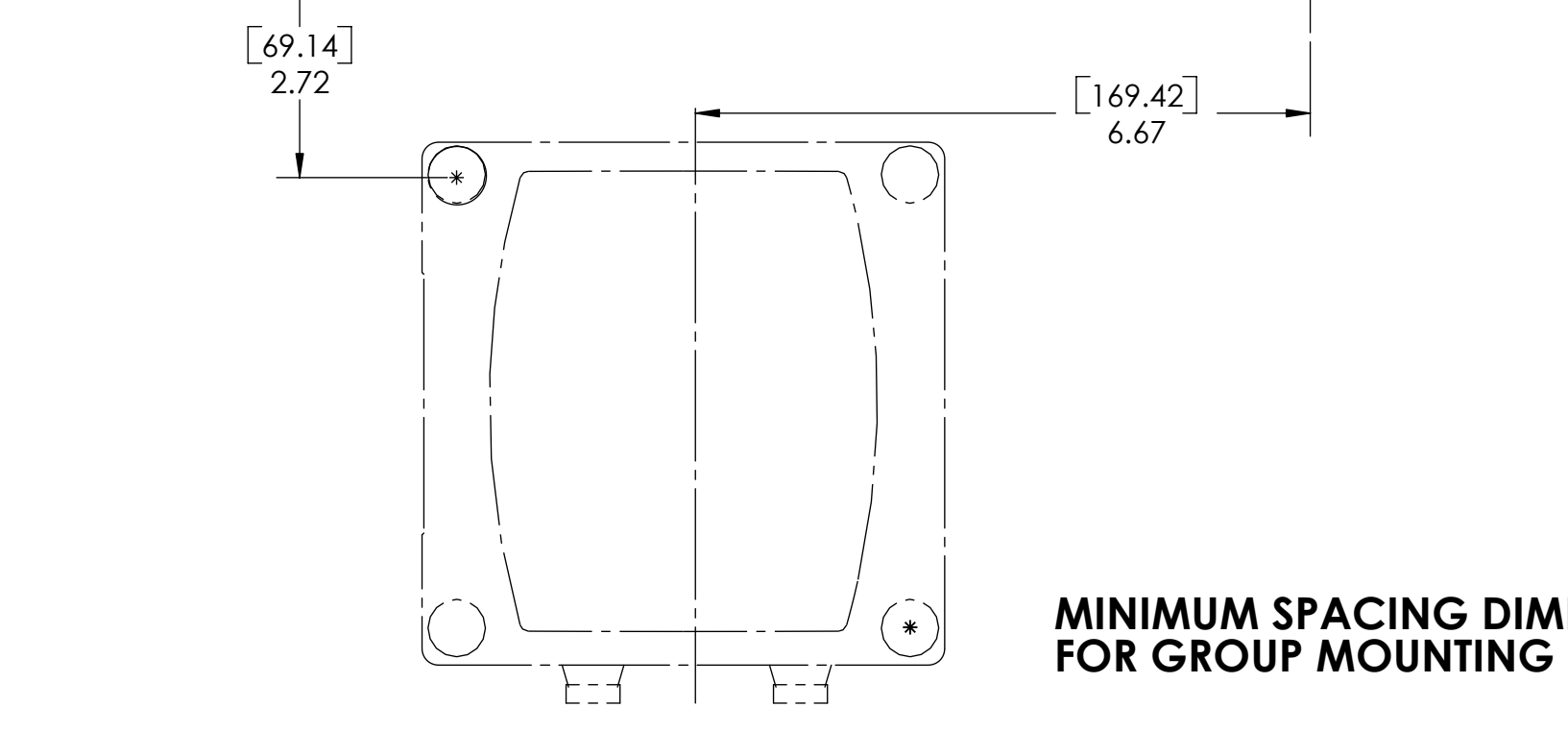
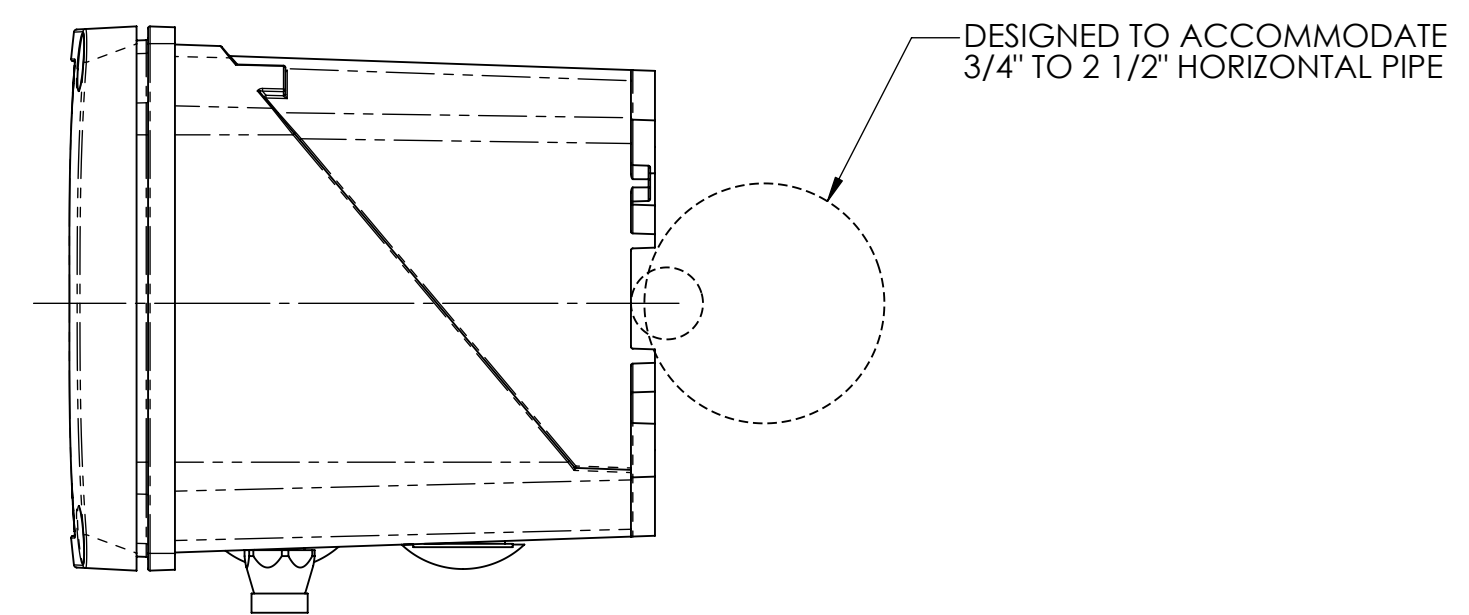
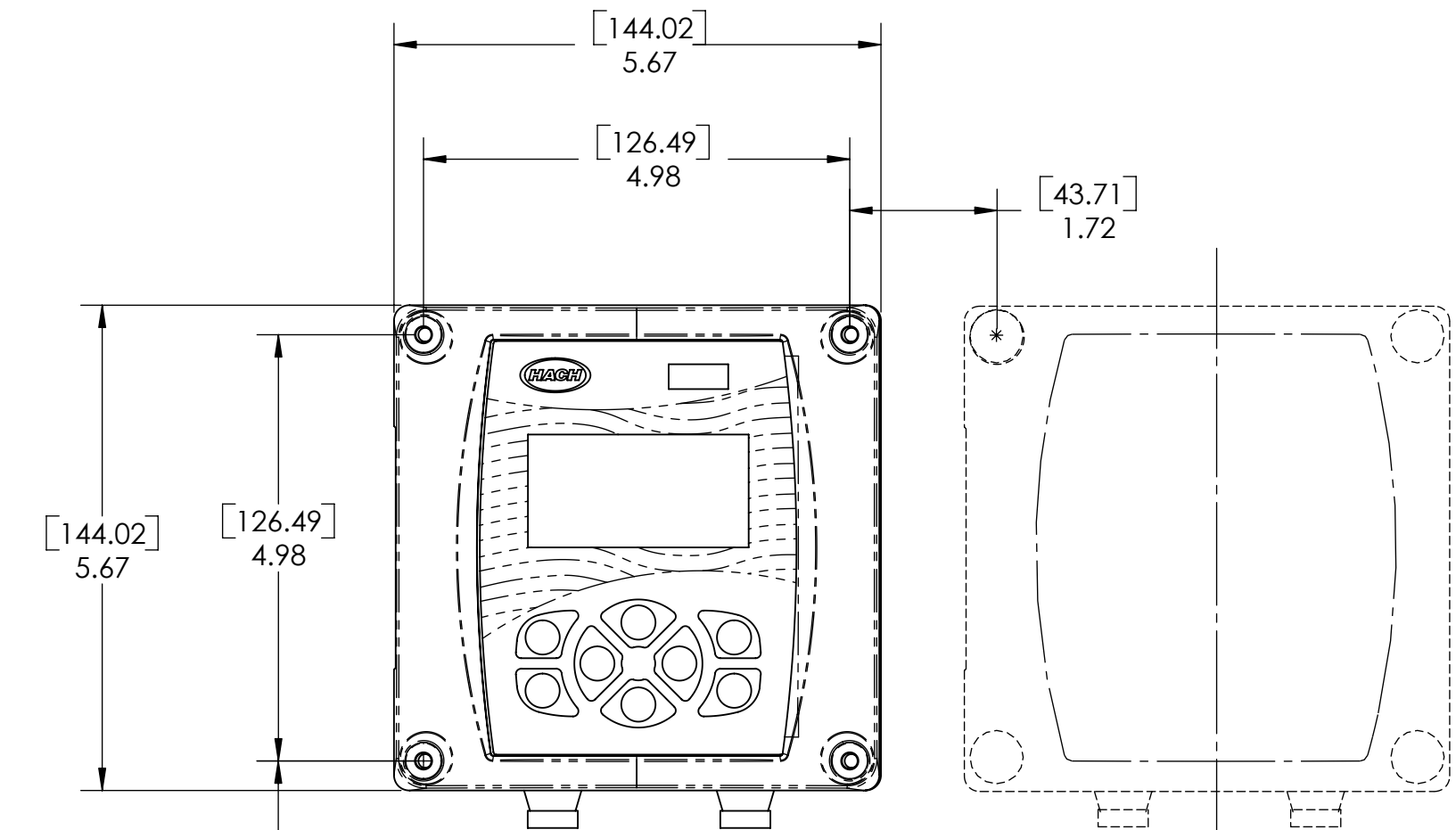


MOUNTING DIMENSIONS

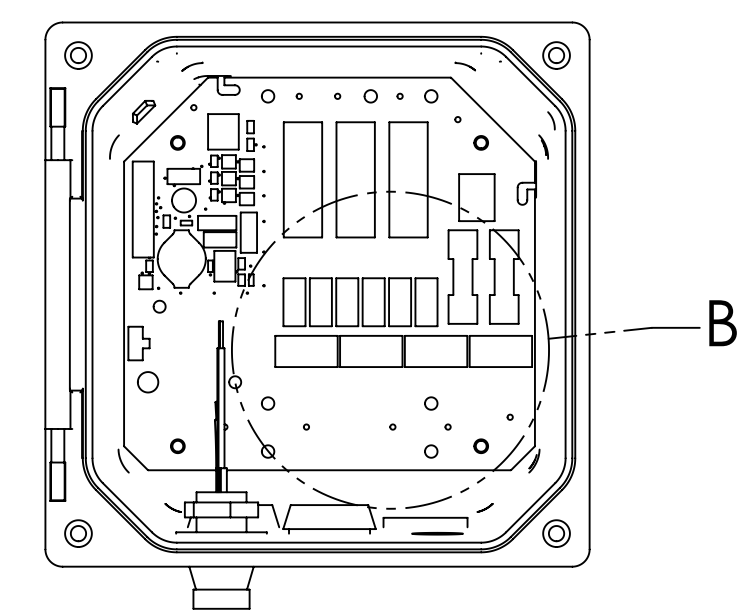


PANEL MOUNT CUTOUT FOR MOUNTING THE INSTRUMENT

.375 [9.50] MAX THICK PANEL

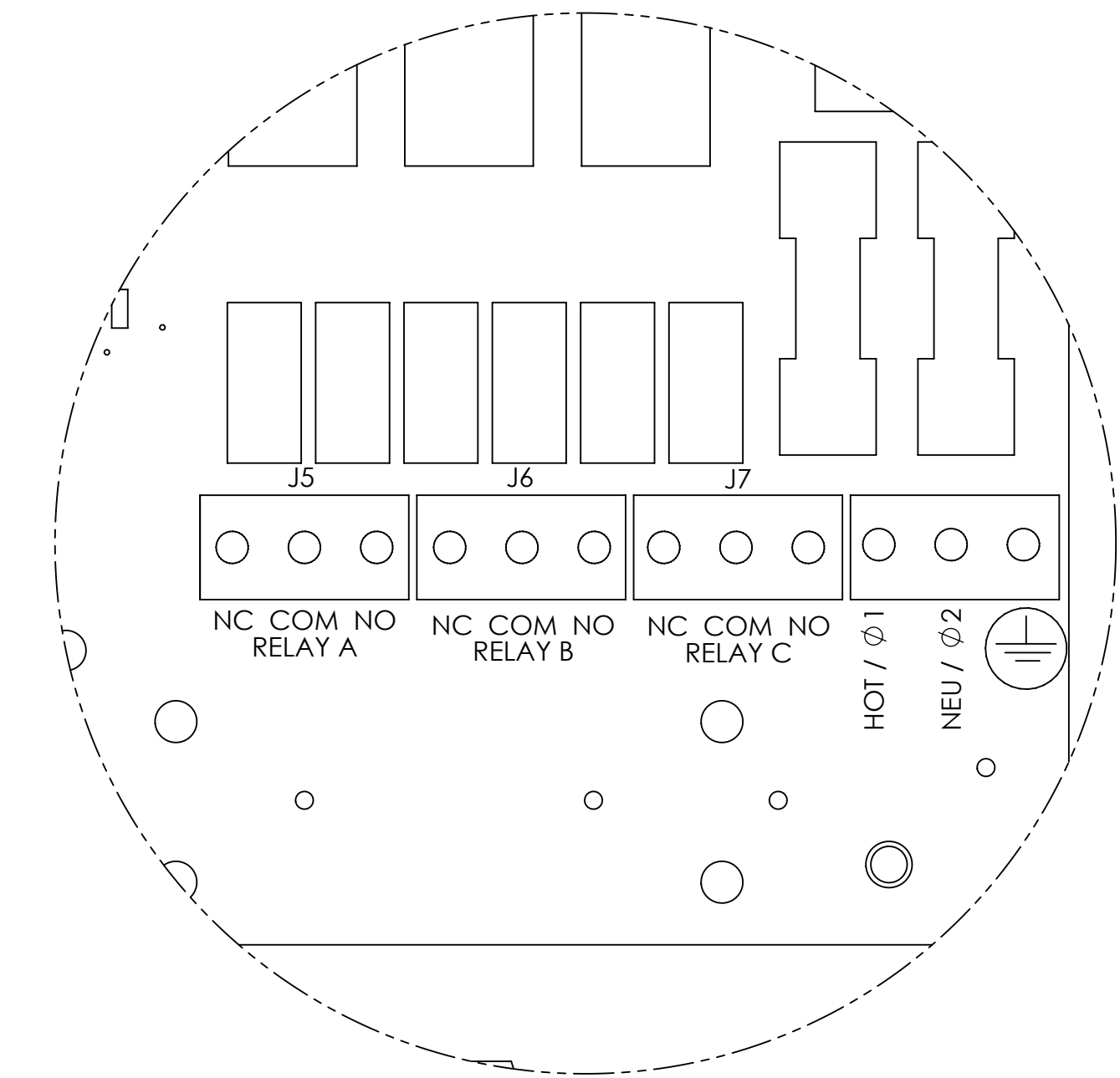


MINIMUM SPACING DIMENSIONS FOR GROUP MOUNTING

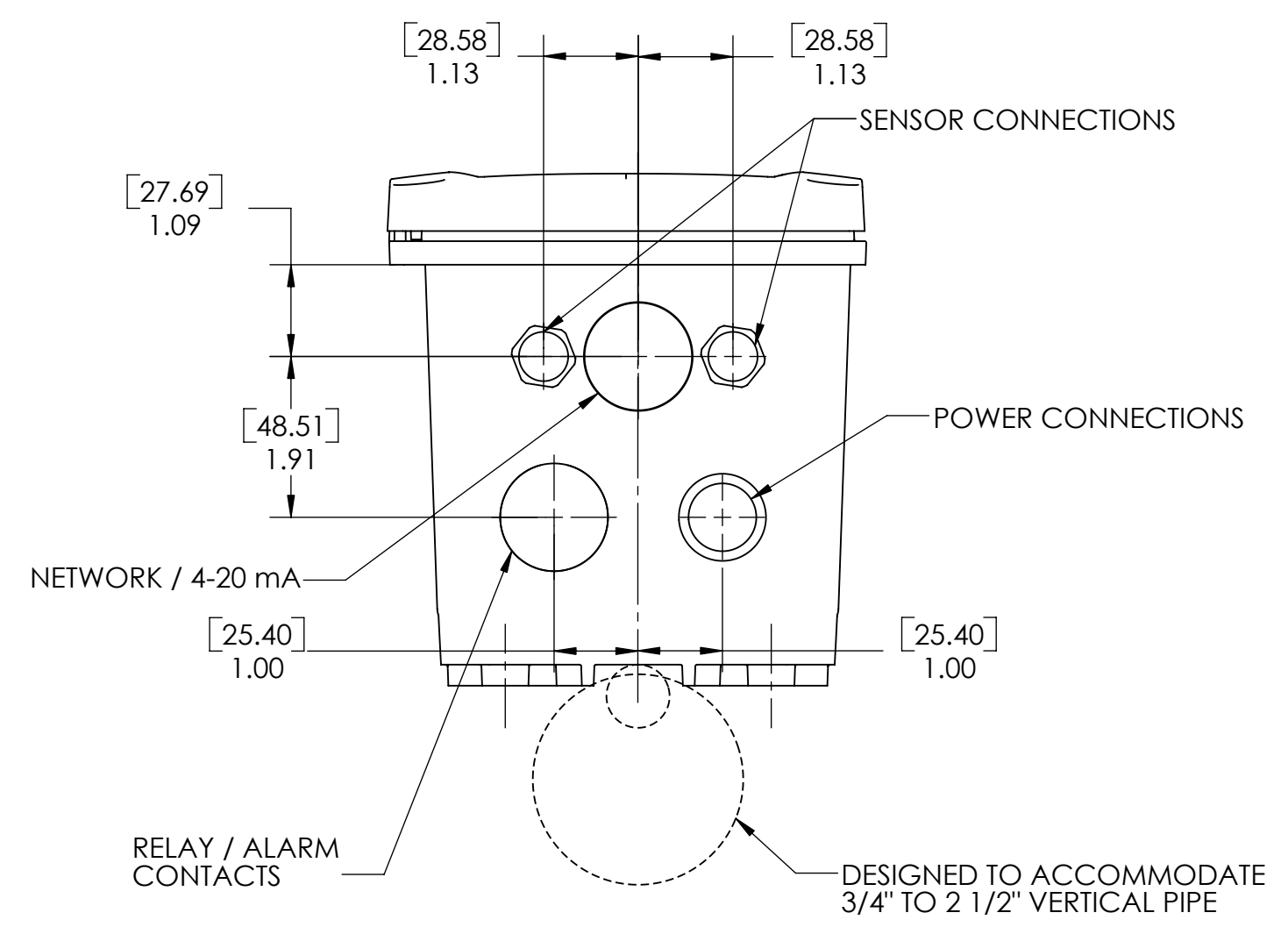


CUSTOMER CONNECTIONS
POWER: 100-115 / 230 VAC 50/60 HZ
2.50A

ITEMS REMOVED FOR CLARITY



DETAIL B
SCALE 2 : 1



GENERAL INFORMATION:

1. CONTROLLER OPERATING TEMPERATURE : -20 TO 60°C (-4 TO 140°F); 95% HUMIDITY, NON CONDENSING.
2. CONTROLLER STORAGE TEMPERATURE: -20 TO 70°C (-4 TO 158°F); 95% RELATIVE HUMIDITY, NON CONDENSING.
3. ENCLOSURE: NEMA 4X / IP66 METAL ENCLOSURE WITH A CORROSION RESISTANT FINISH.
4. CONTROLLER WEIGHT: 1.6 Kg (3.5 lb).

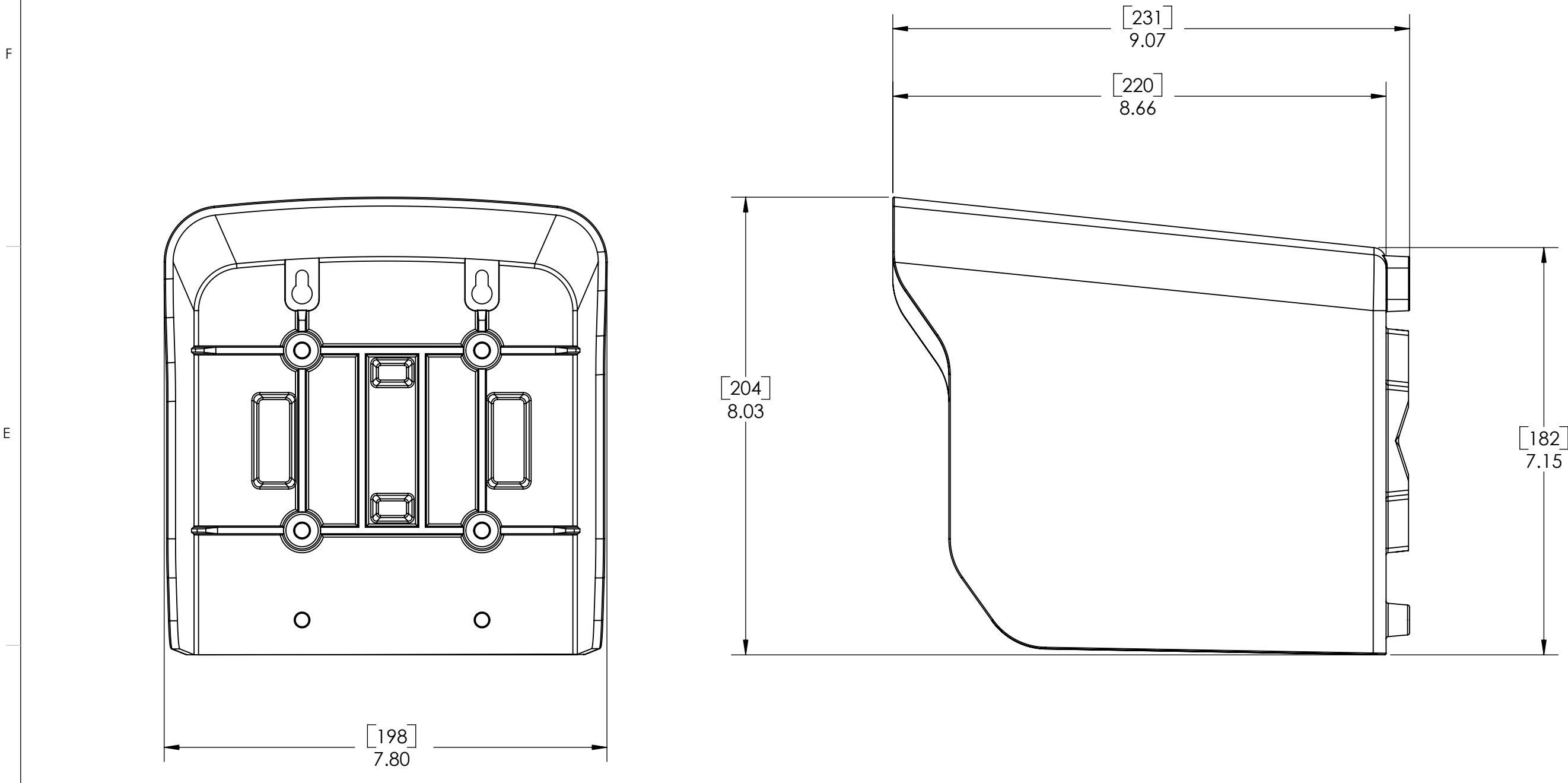
NOTES:
1. ALL THE DIMENSION ARE IN INCHES [MILLIMETERS].

NOTICE:HACH COMPANY CLAIMS PROPRIETARY RIGHTS IN THE INFORMATION DISCLOSED ON THIS DRAWING. IT IS ISSUED IN CONFIDENCE FOR ENGINEERING INFORMATION ONLY AND MAY NOT, IN WHOLE OR IN PART, BE USED TO MANUFACTURE ANYTHING, WHETHER OR NOT SHOWN HEREON, REPRODUCED OR DISCLOSED TO ANYONE WITHOUT DIRECT PERMISSION FROM HACH COMPANY.

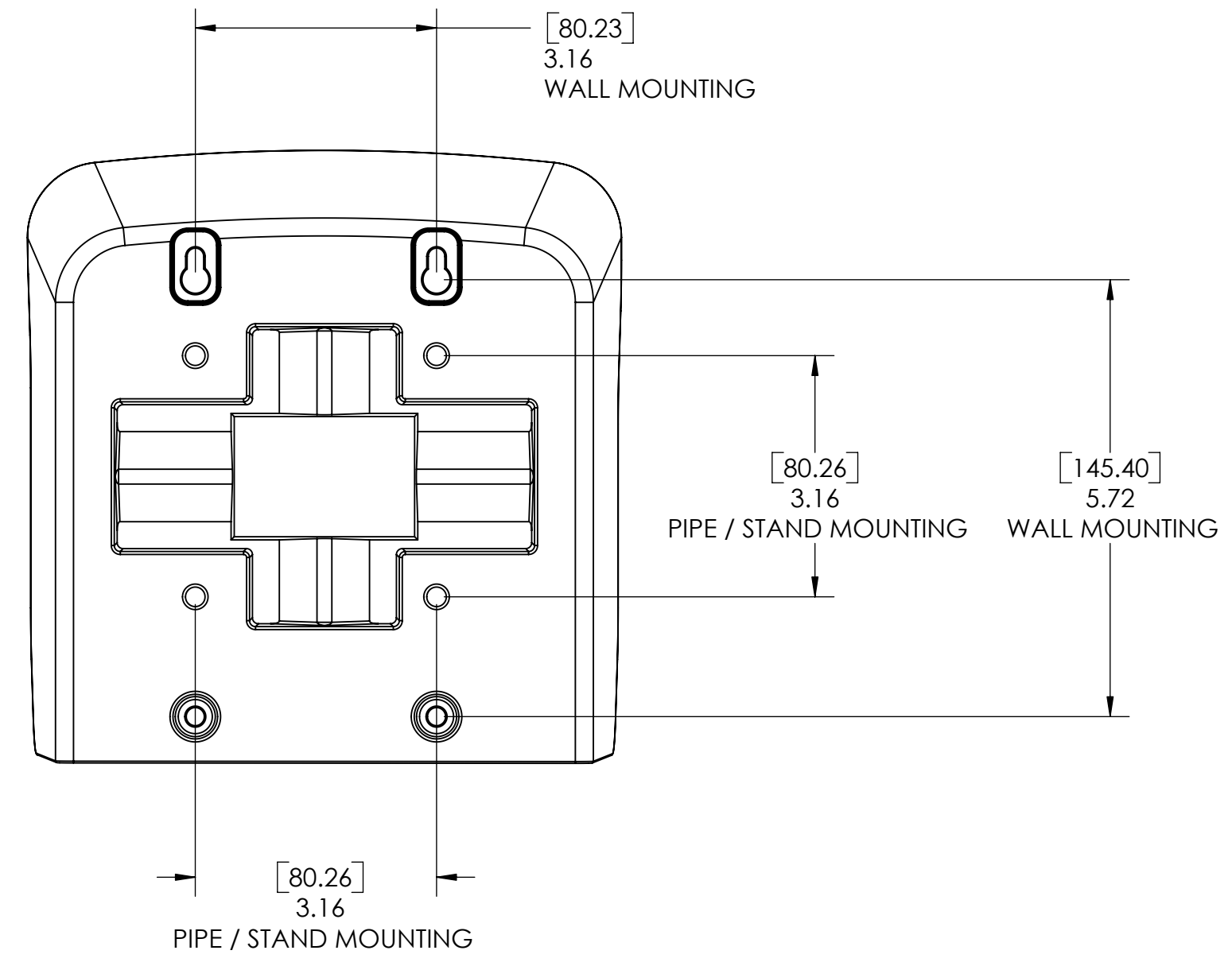
MATERIAL	UNLESS OTHERWISE SPECIFIED:	NAME	DATE
	DIMENSIONS ARE IN INCHES	TCS	08/31/06
	TOLERANCES:	ENGINEER	RM
	X = ±.03		
	XX = ±.01		
	XXX = ±.005		
	ANGLES = ±.25°		
	INTERPRET GEOMETRIC TOLERANCING PER: ANSI Y14.5M 1994		
	DO NOT SCALE THIS SHEET		

HACH COMPANY 5600 LINDBERH DR LOVELAND, CO. 80539	TITLE: TRANSMITTAL, sc100 UNIV CONTR
SIZE DWG. NO. D 5860087	REV B
SCALE: 1:2	WEIGHT: 0.803
	SHEET 1 OF 2

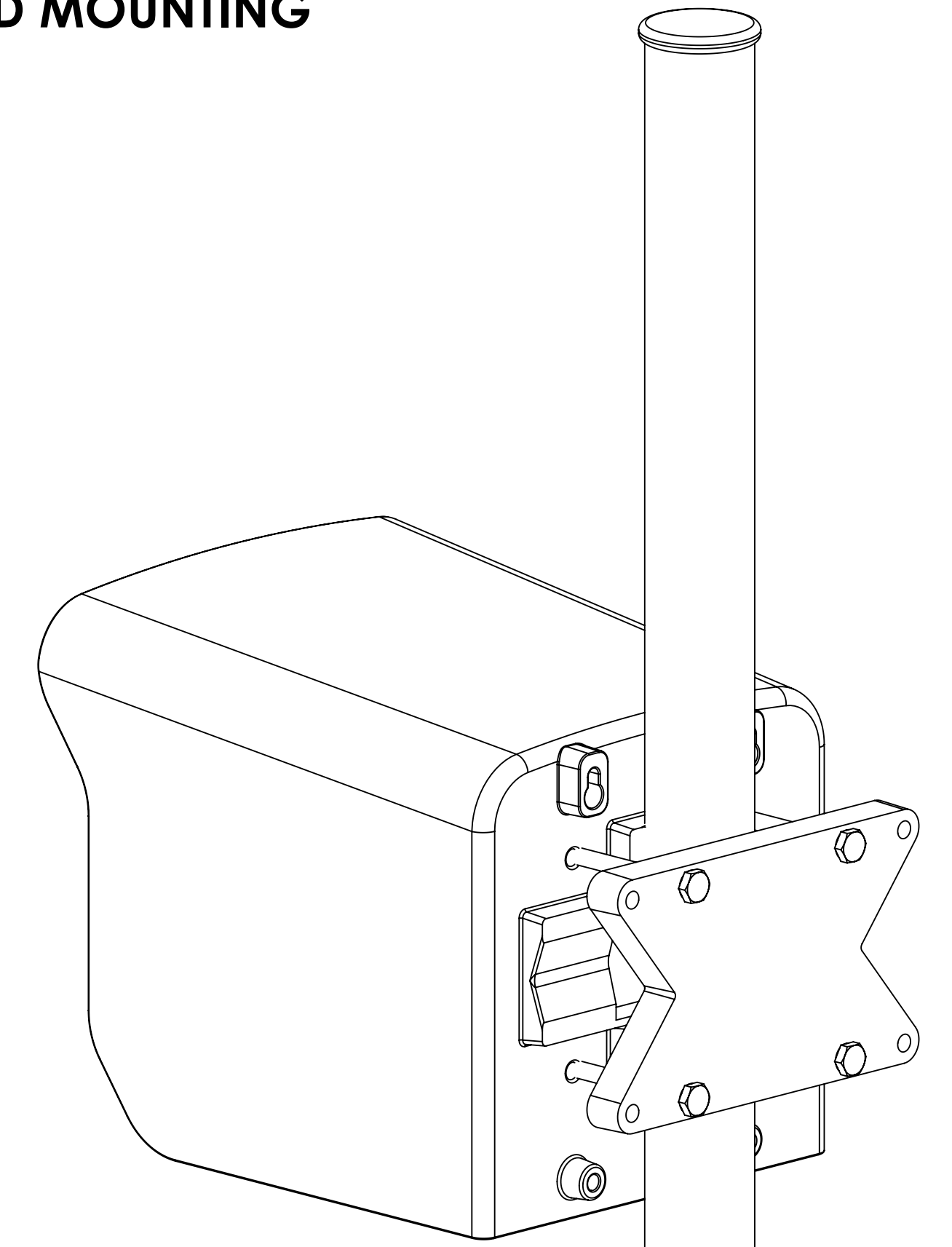
SUN SHIELD - sc 100 (CAT NO. LZX961.54)



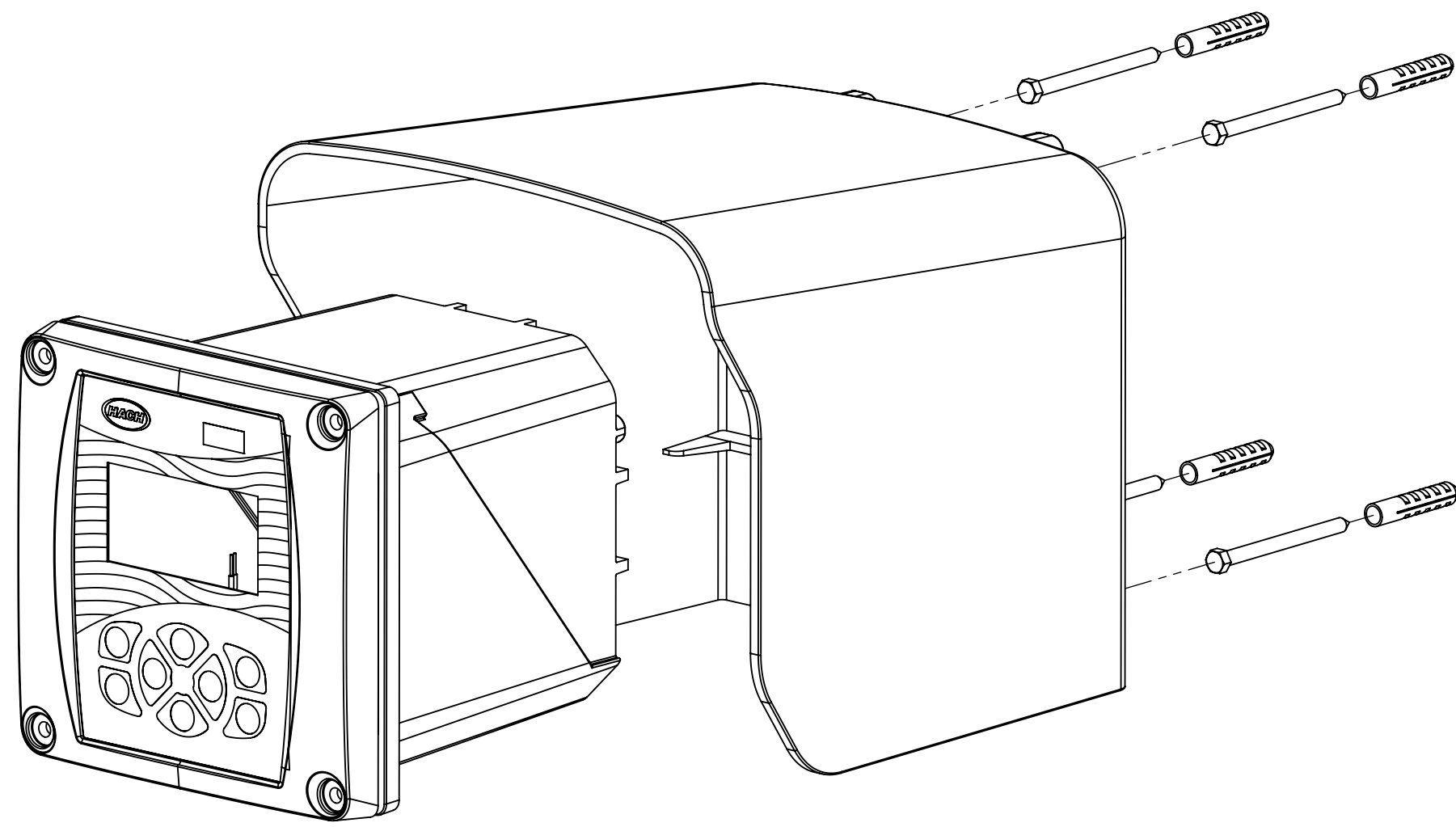
MOUNTING DIMENSIONS



STAND MOUNTING



WALL MOUNTING



PIPE MOUNTING

