

Model: MX25S-1SD



1" Oval gear flow meter designed for the measurement of industrial solvents.

- Aluminium construction
- FEP - Teflon® encapsulated seals
- Max flow rate 120 LPM / 32 GPM
- Temperatures up to 120°C
- Accuracy +/- 0.5% (0.25% available)
- Available with BSP(Rp), NPT, DIN, JIS or ANSI process connections
- Suitable for high viscosity fluids

Select a Flowmeter

Step 1.Size

25 (1")

Step 2.Family

S series - SOLVENTS

Step 3.Process Connection

1 - BSP (Rp)

Step 4.Rotor Type

S - Standard

Step 5.Pulser

D - 12mm LC Display

Process Connection

Port Size	1"
Connection Type	BSP (Rp)

Material of Construction

Body	Aluminium
Rotor	316SS
Bushing	Carbon
Seal	FEP (Teflon®)

Technical Specifications

Flow Range	<5cps	>5cps
	10 - 100 LPM	6 - 120 LPM
	2.6 - 26 GPM	1.6 - 32 GPM
Max Pressure	13790 kPa	2000 psi
Temperature	-20 - 60°C	-4 - 140°F
K-Factor	Refer to Flowmeter Data Plate	
Accuracy	+/- 0.5% (0.25% available with reduced range)	
Repeatability	+/- 0.03%	

Service Kits

	Part Number	Description
Rotor Kit	MXS-25S-rotor	Rotor set and O-ring
Seal Kit	MXS-25S-seal	Meter Cap O-Ring - FEP (Teflon®)

Accessories

SS Y Strainer	YS025-01
Air Eliminator/Strainer	N/A
Wall Mount Adaptor	MXA-25-WM
3 point cal check	MXA-3ptcal
Pressure test	MXA- PRESSTEST

DIGITAL DISPLAY TYPE: D



Type PR 12mm LC Display

The PR series is a meter mounted digital register with a 12mm LCD display, providing real-time indication of Flow rate, total and accumulated total.

Construction

Material	Polypropylene	
IP Rating	67	
Mounting	Meter Mount	
Connection	M-Lock™	
Cable Entry	2x 12mm (blind)	
Dimensions	Height (mm)	Diameter (mm)
	48 mm	99 mm

Technical Specifications

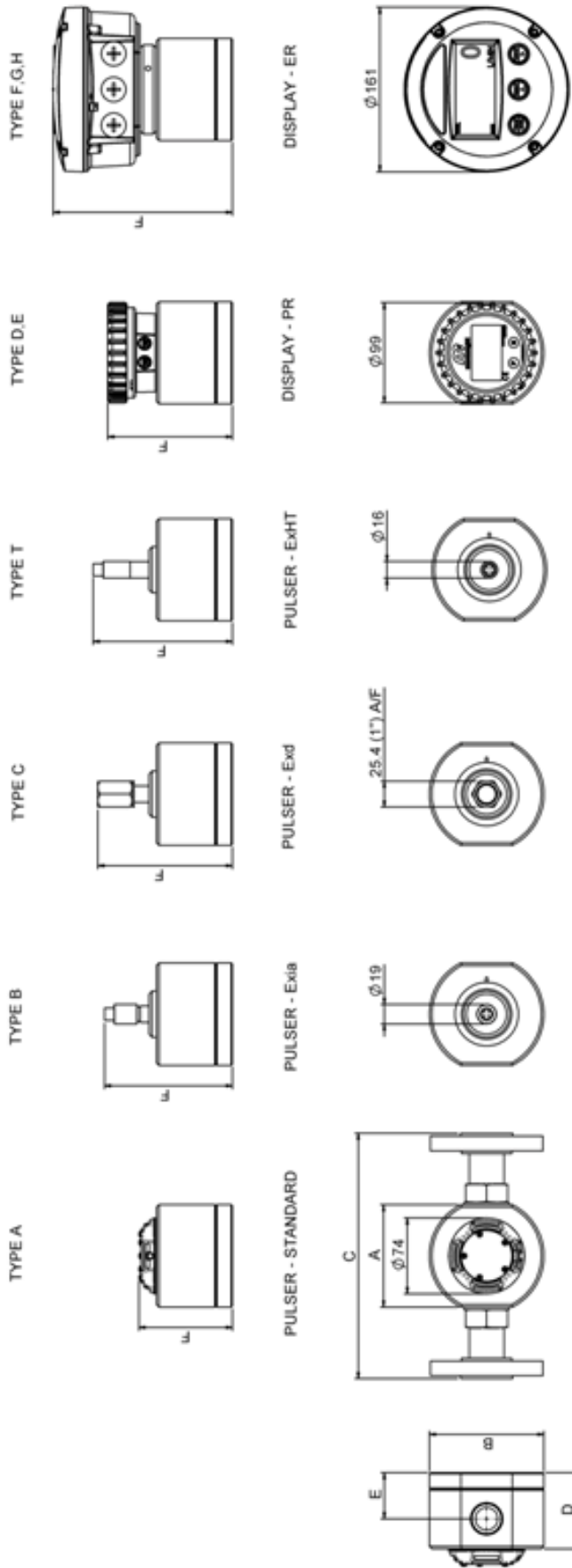
Power Supply	Battery	External Pwr Supply
	3V Lithium	-
Backup	EEPROM Flash memory	
Outputs	No	
	No	
	No	

Service Kits

Part Number	Description
MXS-PCB-PR	PCB + Housing to suit display types D, E
MXS-DIS-PR	LCD unit to suit Display PR

LC Display

Digital Size	Upper LCD	Lower LCD	
	7 digit / 12mm	7 digit / 7mm	
Display	Total	Acc Total	Flow Rate
	resettable	non-resettable	User defined units



METER SIZE	PORT SIZE	METER AND FLANGE DIMENSIONS										PULSER AND DISPLAY HEIGHT - F					
		A	B	C	D	E	TYPE A	TYPE B	TYPE C	TYPE T	TYPE D,E	TYPE F,G,H					
MX06	1/4"	71	74	N/A	42	25	59	93	100	104	90	143					
MX09	1/4"	71	74	N/A	42	24	59	93	100	104	90	143					
MX12	1/2"	81	87	N/A	49	28	66	100	107	111	97	150					
MX19	3/4"	100	112	N/A	62	37	79	113	120	124	110	163					
MX25	1"	100	112	240	75	45	92	126	133	137	123	176					
MX40	1 1/2"	120	137	240	103	61	120	154	161	165	151	204					
MX50	2"	140	163	264	124	72	141	175	182	186	172	225					