

Model: MX06S-1SD



1/4" Oval gear flow meter designed for the measurement of industrial solvents.

- Aluminium construction
- FEP - Teflon® encapsulated seals
- Max flow rate 100 LPH / 26.4 GPH
- Temperatures up to 120°C
- Accuracy +/- 0.5% (0.25% available)
- Available with BSP(Rp) or NPT process connections

Select a Flowmeter

Step 1.Size

06 (1/4")

Step 2.Family

S series - SOLVENTS

Step 3.Process Connection

1 - BSP (Rp)

Step 4.Rotor Type

S - Standard

Step 5.Pulsar

D - 12mm LC Display

Process Connection

| | |
|-----------------|----------|
| Port Size | 1/4" |
| Connection Type | BSP (Rp) |

Material of Construction

| | |
|---------|---------------|
| Body | Aluminium |
| Rotor | 316SS |
| Bushing | Carbon |
| Seal | FEP (Teflon®) |

Technical Specifications

| Flow Range | <5cps | >5cps |
|---------------|---|-----------------|
| | 2 - 100 LPH | 0.5 - 100 LPH |
| | 0.5 - 26 GPH | 0.13 - 26.4 GPH |
| Max Pressure | 6895 kPa | 1000 psi |
| Temperature | -20 - 60°C | -4 - 140°F |
| K-Factor | Refer to Flowmeter Data Plate | |
| Accuracy | +/- 0.5% (0.25% available with reduced range) | |
| Repeatability | +/- 0.03% | |

Service Kits

| | Part Number | Description |
|-----------|---------------|----------------------------------|
| Rotor Kit | MXS-06S-rotor | Rotor set and O-ring |
| Seal Kit | MXS-06S-seal | Meter Cap O-Ring - FEP (Teflon®) |

Accessories

| | |
|-------------------------|----------------|
| SS Y Strainer | YS800-01 |
| Air Eliminator/Strainer | N/A |
| Wall Mount Adaptor | MXA-06-WM |
| 3 point cal check | MXA-3ptcal |
| Pressure test | MXA- PRESSTEST |

DIGITAL DISPLAY TYPE: D



Type PR 12mm LC Display

The PR series is a meter mounted digital register with a 12mm LCD display, providing real-time indication of Flow rate, total and accumulated total.

Construction

| | | |
|--------------------|--------------------|----------------------|
| Material | Polypropylene | |
| IP Rating | 67 | |
| Mounting | Meter Mount | |
| Connection | M-Lock™ | |
| Cable Entry | 2x 12mm (blind) | |
| Dimensions | Height (mm) | Diameter (mm) |
| | 48 mm | 99 mm |

Technical Specifications

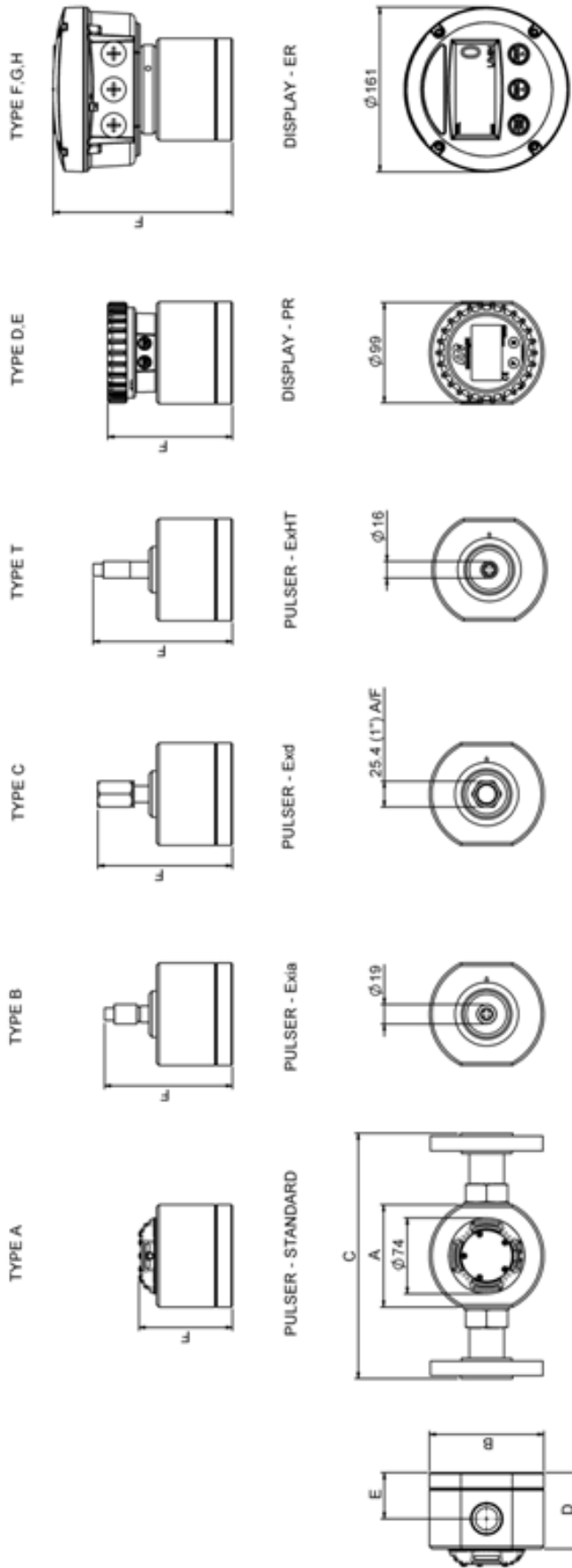
| | | |
|---------------------|---------------------|----------------------------|
| Power Supply | Battery | External Pwr Supply |
| | 3V Lithium | - |
| Backup | EEPROM Flash memory | |
| Outputs | No | |
| | No | |
| | No | |

Service Kits

| | |
|--------------------|--|
| Part Number | Description |
| MXS-PCB-PR | PCB + Housing to suit display types D, E |
| MXS-DIS-PR | LCD unit to suit Display PR |

LC Display

| | | | |
|---------------------|------------------|------------------|--------------------|
| Digital Size | Upper LCD | Lower LCD | |
| | 7 digit / 12mm | 7 digit / 7mm | |
| Display | Total | Acc Total | Flow Rate |
| | resettable | non-resettable | User defined units |



| METER SIZE | PORT SIZE | METER AND FLANGE DIMENSIONS | | | | | | | | | | PULSER AND DISPLAY HEIGHT - F | | | | | | | |
|------------|-----------|-----------------------------|-----|-----|-----|----|--------|--------|--------|--------|----------|-------------------------------|----------|--------|--------|--------|----------|------------|--|
| | | A | B | C | D | E | TYPE A | TYPE B | TYPE C | TYPE T | TYPE D,E | TYPE F,G,H | TYPE D,E | TYPE T | TYPE C | TYPE T | TYPE D,E | TYPE F,G,H | |
| MX06 | 1/4" | 71 | 74 | N/A | 42 | 25 | 59 | 93 | 100 | 104 | 90 | 143 | 90 | 104 | 100 | 104 | 90 | 143 | |
| MX09 | 1/4" | 71 | 74 | N/A | 42 | 24 | 59 | 93 | 100 | 104 | 90 | 143 | 90 | 104 | 100 | 104 | 90 | 143 | |
| MX12 | 1/2" | 81 | 87 | N/A | 49 | 28 | 66 | 100 | 107 | 111 | 97 | 150 | 97 | 111 | 107 | 111 | 97 | 150 | |
| MX19 | 3/4" | 100 | 112 | N/A | 62 | 37 | 79 | 113 | 120 | 124 | 110 | 163 | 110 | 124 | 120 | 124 | 110 | 163 | |
| MX25 | 1" | 100 | 112 | 240 | 75 | 45 | 92 | 126 | 133 | 137 | 123 | 176 | 123 | 137 | 133 | 137 | 123 | 176 | |
| MX40 | 1 1/2" | 120 | 137 | 240 | 103 | 61 | 120 | 154 | 161 | 165 | 151 | 204 | 151 | 165 | 161 | 165 | 151 | 204 | |
| MX50 | 2" | 140 | 163 | 264 | 124 | 72 | 141 | 175 | 182 | 186 | 172 | 225 | 172 | 186 | 182 | 186 | 172 | 225 | |