

Model: MX09S-1SD



1/4" Oval gear flow meter designed for the measurement of industrial solvents.

- Aluminium construction
- FEP - Teflon® encapsulated seals
- Max flow rate 500 LPH / 132 GPH
- Temperatures up to 120°C
- Accuracy +/- 0.5% (0.25% available)
- Available with BSP(Rp) or NPT process connections
- Suitable for high viscosity fluids

Select a Flowmeter

Step 1.Size

09 (1/4")

Step 2.Family

S series - SOLVENTS

Step 3.Process Connection

1 - BSP (Rp)

Step 4.Rotor Type

S - Standard

Step 5.Pulsar

D - 12mm LC Display

Process Connection

Port Size	1/4"
Connection Type	BSP (Rp)

Material of Construction

Body	Aluminium
Rotor	316SS
Bushing	Carbon
Seal	FEP (Teflon®)

Technical Specifications

Flow Range	<5cps	>5cps
	25 -500 LPH	15 -500 LPH
	6.6 - 132 GPH	4 - 132 GPH
Max Pressure	6895 kPa	1000 psi
Temperature	-20 - 60°C	-4 - 140°F
K-Factor	Refer to Flowmeter Data Plate	
Accuracy	+/- 0.5% (0.25% available with reduced range)	
Repeatability	+/- 0.03%	

Service Kits

	Part Number	Description
Rotor Kit	MXS-09S-rotor	Rotor set and O-ring
Seal Kit	MXS-09S-seal	Meter Cap O-Ring - FEP (Teflon®)

Accessories

SS Y Strainer	YS800-01
Air Eliminator/Strainer	N/A
Wall Mount Adaptor	MXA-06-WM
3 point cal check	MXA-3ptcal
Pressure test	MXA- PRESSTEST

DIGITAL DISPLAY TYPE: D



Type PR 12mm LC Display

The PR series is a meter mounted digital register with a 12mm LCD display, providing real-time indication of Flow rate, total and accumulated total.

Construction

Material	Polypropylene	
IP Rating	67	
Mounting	Meter Mount	
Connection	M-Lock™	
Cable Entry	2x 12mm (blind)	
Dimensions	Height (mm)	Diameter (mm)
	48 mm	99 mm

Technical Specifications

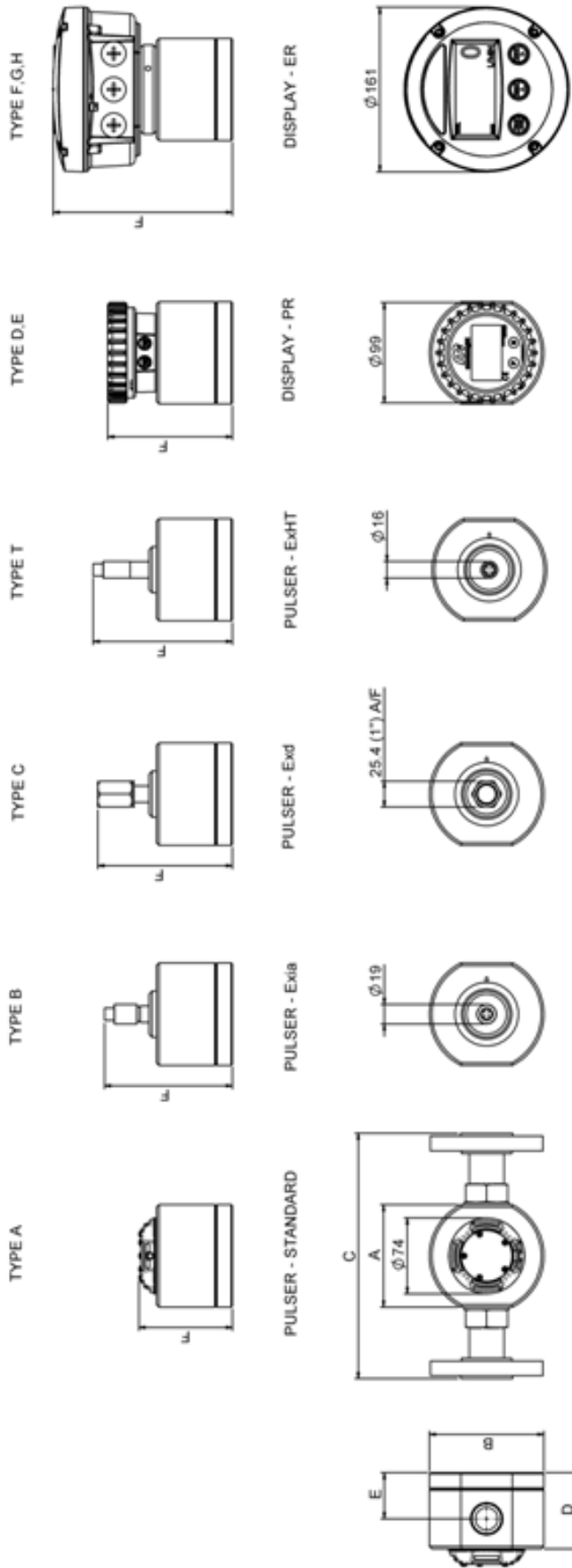
Power Supply	Battery	External Pwr Supply
	3V Lithium	-
Backup	EEPROM Flash memory	
Outputs	No	
	No	
	No	

Service Kits

Part Number	Description
MXS-PCB-PR	PCB + Housing to suit display types D, E
MXS-DIS-PR	LCD unit to suit Display PR

LC Display

Digital Size	Upper LCD	Lower LCD	
	7 digit / 12mm	7 digit / 7mm	
Display	Total	Acc Total	Flow Rate
	resettable	non-resettable	User defined units



METER SIZE	PORT SIZE	METER AND FLANGE DIMENSIONS										PULSER AND DISPLAY HEIGHT - F							
		A	B	C	D	E	TYPE A	TYPE B	TYPE C	TYPE T	TYPE D,E	TYPE F,G,H	TYPE D,E	TYPE T	TYPE C	TYPE T	TYPE D,E	TYPE F,G,H	
MX06	1/4"	71	74	N/A	42	25	59	93	100	104	90	143	90	104	100	104	90	143	
MX09	1/4"	71	74	N/A	42	24	59	93	100	104	90	143	90	104	100	104	90	143	
MX12	1/2"	81	87	N/A	49	28	66	100	107	111	97	150	97	111	107	111	97	150	
MX19	3/4"	100	112	N/A	62	37	79	113	120	124	110	163	110	124	120	124	110	163	
MX25	1"	100	112	240	75	45	92	126	133	137	123	176	123	137	133	137	123	176	
MX40	1 1/2"	120	137	240	103	61	120	154	161	165	151	204	151	165	161	165	151	204	
MX50	2"	140	163	264	124	72	141	175	182	186	172	225	172	186	182	186	172	225	