



DOC023.53.90161

FP 360 sc

User Manual

01/2010, Edition 1

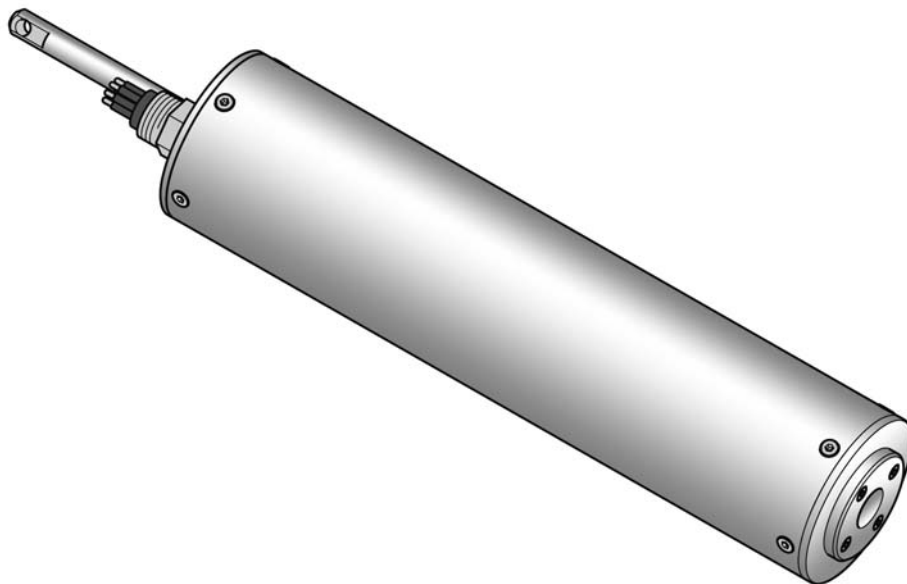


Table of Contents

Section 1 Specifications	5
1.1 Dimensions	6
Section 2 General information	7
2.1 Safety information	7
2.1.1 Use of hazard information	7
2.1.2 Precautionary labels	7
2.2 Product overview	8
2.3 Measuring principle	8
2.4 Product components	8
2.4.1 FP 360 sc sensor	9
2.5 Function test	9
Section 3 Installation	11
3.1 Connect sensor cable	11
3.2 Installation options	13
3.2.1 Installation with the chain mount kit	13
3.2.2 Installation of chain mount kit for sensors with cleaning unit	13
3.2.2.1 Install the cleaning unit hose	13
3.2.3 Installation with flow cell	15
Section 4 Operation	17
4.1 User interface and navigation	17
4.2 Sensor setup	17
4.3 Sensor data logger	17
4.4 Menu structure	18
4.4.1 SENSOR STATUS	18
4.4.2 SENSOR SETUP	18
4.5 Calibration	20
4.5.1 Factory calibration	20
4.5.2 Process calibration/adjustment	20
4.5.2.1 Determination of factors and adjustment of slope	20
4.5.2.2 Multi-point calibration	21
4.5.3 Check the zero point	21
4.5.4 Adjustment of slope and zero point; multi-point calibration	21
4.5.4.1 Adjust the slope (FACTOR)	21
4.5.4.2 Adjust the zero point (OFFSET)	22
4.5.4.3 Multi-point calibration (2 to 5-point calibration)	22
Section 5 Maintenance	23
5.1 Maintenance schedule	23
5.2 Maintenance for the connectors on the sensor	23
5.3 Cleaning the measurement windows	24

Table of Contents

Section 6 Troubleshooting	25
6.1 Error messages	25
6.2 Warnings	25
6.3 Replacement parts	25
Section 7 Replacement parts and accessories	27
7.1 Sensor options	27
7.2 Replacement parts	27
7.3 Accessories	27
Section 8 Contact information	29
Section 9 Limited warranty	31
Appendix A Modbus register	33
Index	35

Section 1 Specifications

Specifications are subject to change without notice.

Measurement		
Measurement method		UV fluorescent measurement process for polycyclic aromatic Hydrocarbons (PAH) Excitation wavelength: 254 nm Emission (measurement) wavelength: 360 nm
Measuring range	Low measurement range	0 to 50 ppb and 0 to 500 ppb in relation to PAH calibration standard, corresponding to 0.1 to 1.5 ppm and 0.1 to 15 ppm of oil calibration standard
	High measurement range	0 to 500 ppb and 0 to 5000 ppb in relation to PAH calibration standard, corresponding to 0.1 to 15 ppm and 0.1 to 150 ppm of oil calibration standard
Display units		ppb, ppm, µg/L, mg/L
Reproducibility		2.5% of measurement value at a constant temperature
Measurement accuracy		5% of measurement value ±2% from measurement range limit at a constant temperature
Limit of detection		1.2 ppb (PAH)
Response time		10 s (T90)
Calibration		Factory calibration with UV fluorescence calibration standard, custom adaptation possible
Sensor software		
Software version		From 1.14
Equipment properties		
Weight	Measurement sensor	Stainless steel version 2.8 kg, titanium version 1.8 kg
	Flow cell	Approximately 0.6 kg, including installation board approximately 2.0 kg
Pressure range	Sensor	Max. 30 bar
	Flow cell	Max. 1 bar
Dimensions	Measurement sensor (Ø × length)	68 mm x 306 mm (2.68 in. x 12.05 in.) (without plugs or suspension pin) 68 mm x 399 mm (2.68 in. x 15.71 in.) (including suspension pin) 68 mm x 413 mm (2.68 in. x 16.26 in.) (with additional cleaning option)
	Flow cell (L × W × D)	98 mm x 98 mm x 150 mm (3.86 in. x 3.86 in. x 5.91 in.) (without fittings), installation board: 600 x 300 x 10 mm (23.62 in. x 11.81 in. x 0.39 in.)
Materials	Measurement sensor	Housing: stainless steel 1.4571 or titanium Optic bracket: POM Housing bolts: stainless steel 1.4571 Measurement window: synthetic quartz glass (Suprasil) Gaskets (housing): Viton Gaskets (measurement window): NBR (Nitrile Butadiene Rubber)
	Flow cell	Housing: POM Installation board: PVC Gaskets: NBR (Nitrile Butadiene Rubber) Fittings: nickel-plated brass
	Shackle	Stainless steel 1.4301

Specifications

Environment considerations		
Sample temperature	1 to 40 °C (34 to 104 °F)	
Ambient temperature	-5 to +45 °C (23 to 113 °F) Measurement sensor wetted by at least half from the measuring medium: -25 to +55 °C (-13 to 131 °F)	
Sensor distance - wall/ground	min. 100 mm (3.94 in.) (recommended)	
Miscellaneous		
Cable length	1.5 or 10 m, extension cable up to total maximum length of 40 m	
Connection information	Sensor side	8-pin, type of protection IP68, PUR
	Controller side	M12, type of protection IP67
Inspection interval	Every 2 years	
Maintenance requirements	Clean the measurement window, if necessary. Intervals are dependent on the measuring medium.	
Compliance	CE	
Warranty	1 year	

1.1 Dimensions

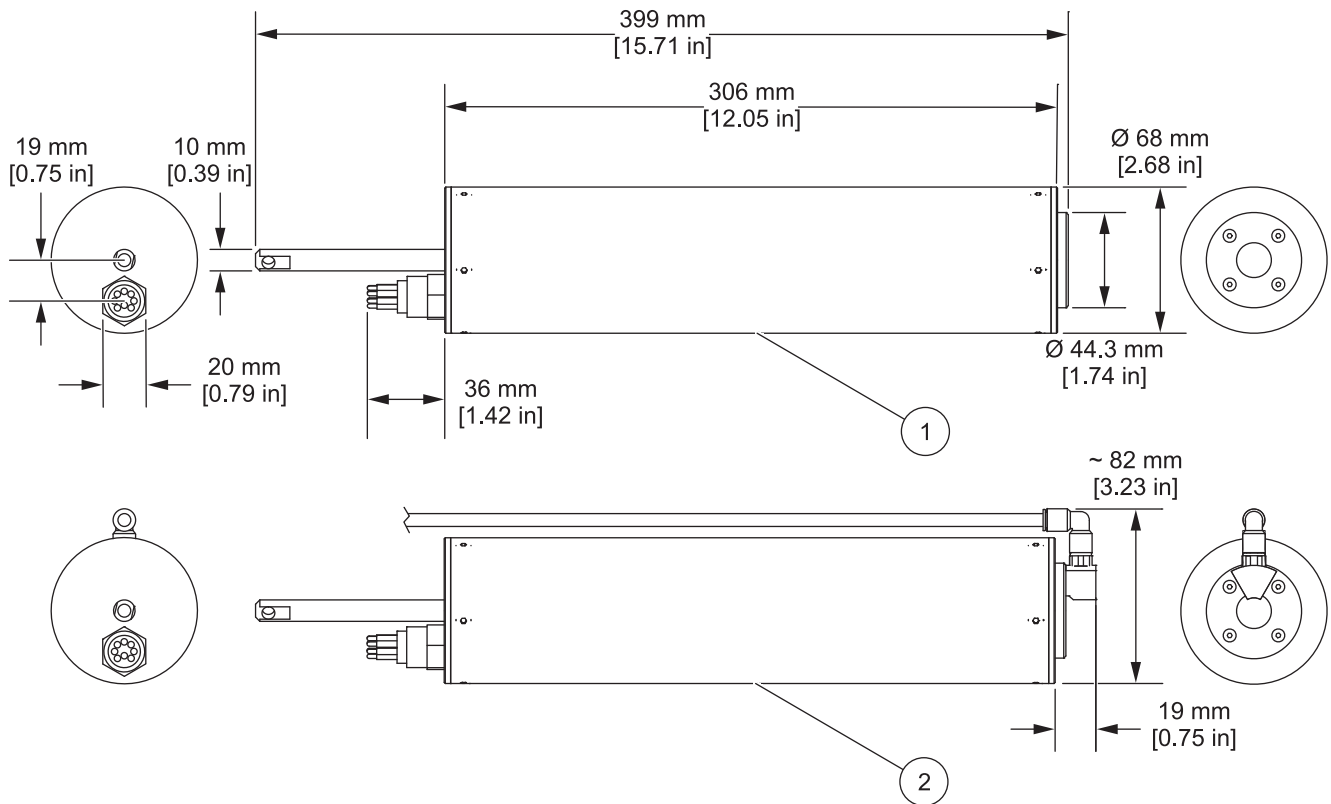


Figure 1 Sensor without and with cleaning unit

1	Sensor without cleaning unit	2	Sensor with cleaning unit
---	------------------------------	---	---------------------------

Section 2 General information

2.1 Safety information

Please read this entire manual before unpacking, setting up or operating this equipment. Pay attention to all danger and caution statements. Failure to do so could result in serious injury to the operator or damage to the equipment.

Make sure that the protection provided by this equipment is not impaired, do not use or install this equipment in any manner other than that specified in this manual.





2.1.1 Use of hazard information

⚠ DANGER
Indicates a potentially or imminently hazardous situation which, if not avoided, will result in death or serious injury.
⚠ WARNING
Indicates a potentially or imminently hazardous situation which, if not avoided, could result in death or serious injury.
⚠ CAUTION
Indicates a potentially hazardous situation that may result in minor or moderate injury.
NOTICE
Indicates a situation which, if not avoided, may cause damage to the instrument. Information that requires special emphasis.

Note: Information that supplements points in the main text.

2.1.2 Precautionary labels

Read all labels and tags attached to the instrument. Personal injury or damage to the instrument could occur if not observed. A symbol on the instrument is referenced in the manual with a precautionary statement.

	This is the safety alert symbol. Obey all safety messages that follow this symbol to avoid potential injury. If on the instrument, refer to the instruction manual for operation or safety information.
	This symbol indicates that a risk of electrical shock and/or electrocution exists.
	This symbol shows that a UV lamp is used in the equipment.
	Electrical equipment marked with this symbol may not be disposed of in European domestic or public disposal systems after 12 August 2005. In conformity with European local and national regulations (EU Directive 2002/96/EC), European electrical equipment users must now return old or end-of life equipment to the manufacturer for disposal at no charge to the user. Note: For return for recycling, please contact the equipment producer or supplier for instructions on how to return end-of-life equipment, producer-supplied electrical accessories, and all auxiliary items for proper disposal.

2.2 Product overview

⚠ DANGER

This product is not suitable for use in potentially explosive atmospheres.

⚠ WARNING

The UV rays from the flash bulb are harmful to eyes and skin. Do not look directly through the measurement window during operation under any circumstances. Remove the measurement sensor from operation before carrying out any maintenance or installation work.

The FP 360 sc sensor is a UV fluorimeter used to continuously measure the concentration of PAH (polycyclic aromatic hydrocarbons) in water. The measurement values can be converted to reflect the total oil content for mineral oils using lab data.

The sensor may need to be installed with additional accessories depending on its area of application.

Area of application	Installation with	Sensor variants
Open channels, shafts, tanks (solid matter max. 200 mg/L)	Chain mount kit	Sensor with or without cleaning unit
Measurement media without solid matter with continuous, low sample throughput	Flow cell	Sensor without cleaning unit

Do not apply the sensor to any hard mechanical effects.

2.3 Measuring principle

The measuring principle is based on the fluorescent properties of PAHs. After excitation caused by UV rays, PAHs emit light with longer wavelengths after a short time delay. The intensity of this light is measured. This measuring principle is considerably more sensitive than absorption and scattered light measurement. It is possible to detect even the slightest trace of PAH contamination in water. PAHs are integral parts of most mineral oil products and are a very specific indicator of oil contamination in water bodies and process water.

2.4 Product components

Each sensor is supplied with

- a connector cable with safety sleeve,
- a shackle,
- a basic user manual and
- a CD.

The sensor is available in a variety of types (refer to section [7.1 on page 27](#)). Refer to [Figure 2](#) to make sure that all components have been received. If any of these items are missing or damaged, contact the manufacturer or a sales representative immediately.

2.4.1 FP 360 sc sensor

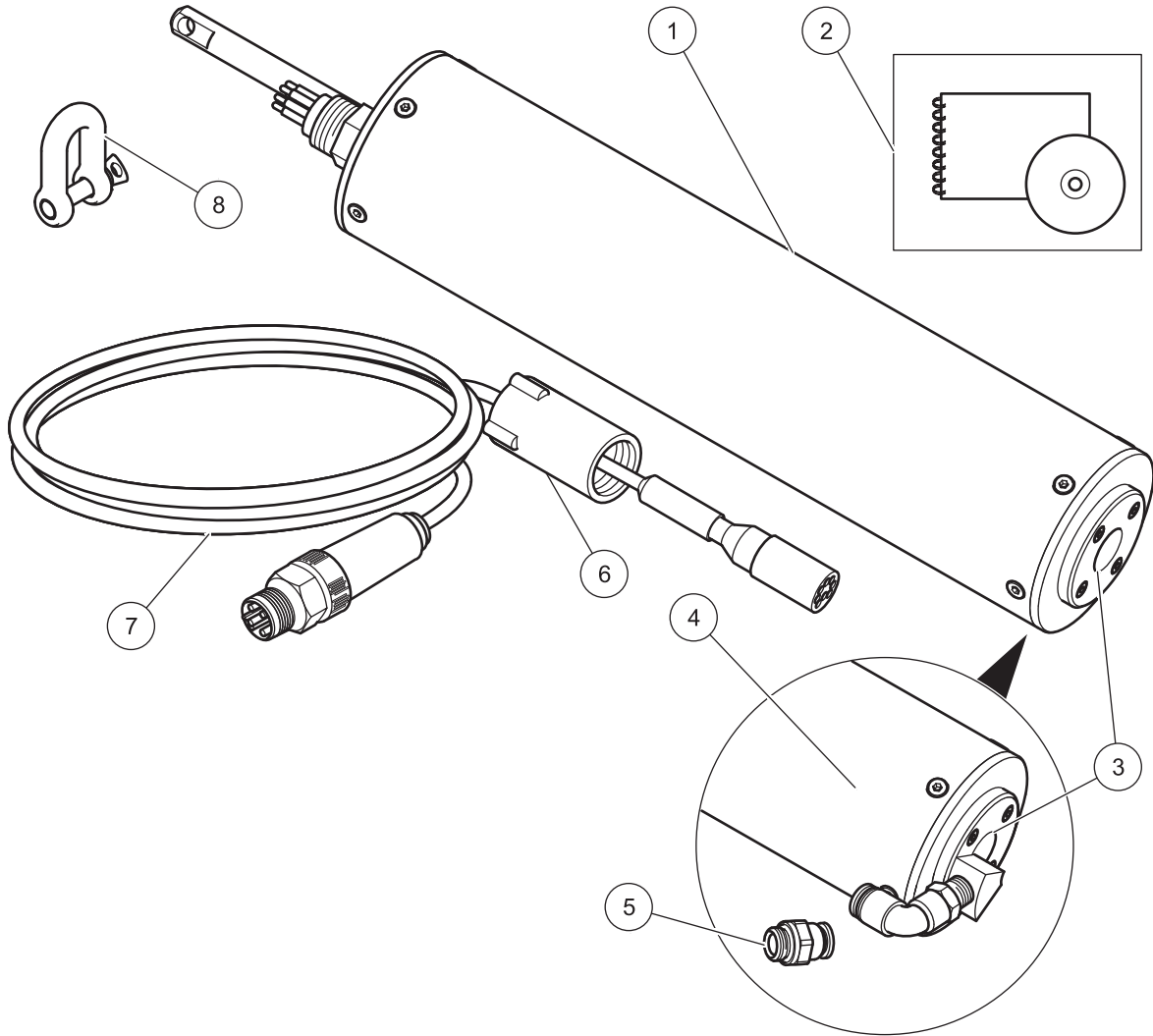


Figure 2 FP 360 sc sensor

1	FP 360 sc measurement sensor	5	6 mm fitting for cleaning unit (depending on model)
2	Basic user manual with CD	6	Safety sleeve
3	Measurement window	7	Connector cable
4	Sensor with cleaning unit (depending on model)	8	Shackle

2.5 Function test

⚠ CAUTION

Before power is applied, refer to the controller operation instructions.

After the components are removed from the package, do a function test.

1. Connect the connector cable to the sensor (8-pin polarized connector) and an appropriate sc controller (5-pin polarized connector) (refer to section 3.1 on page 11).
2. Apply power to the sc controller. The display is activated and the sensor goes to measurement mode.
The sensor ticks quietly and regularly.

General information

3. Cover the sensor measurement window with a sheet of white paper (do not use recycled paper).
4. Vary the distance between the measurement window and the paper.
The measurement value on the display will change accordingly.

Note: *In air, the measurement value displayed is not exactly zero due to reflections on the window surface (refer to [section 4.5.3 on page 21](#)).*

Section 3 Installation

⚠ DANGER

Personal injury hazard. Only qualified personnel should conduct the tasks described in this section of the manual.

NOTICE

If the sensor is not fully inserted, sun protection is recommended in high ambient temperatures and intense solar radiation to protect against thermal and UV effects.

3.1 Connect sensor cable

⚠ CAUTION

Always put the cables and hoses in a position that does not bend or cause a trip hazard.

⚠ CAUTION

Before power is applied, refer to the controller operation instructions.

1. Connect the polarized socket on the connector cable to the sensor plug (8-pin plug) (refer to [Figure 3](#) step 1).
2. Push the safety sleeve on the plug (step 2).
3. Hand-tighten the safety sleeve in position (step 3).

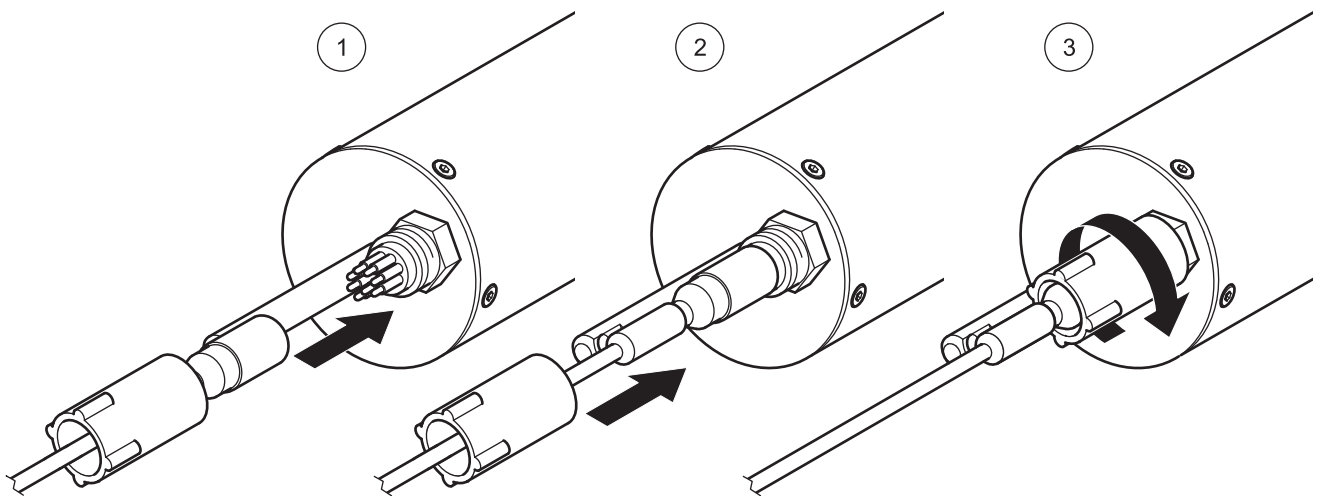


Figure 3 Connect the sensor cable to the sensor

4. Remove the protective cap on the controller socket and keep it to seal the connector opening in case the sensor must be removed.
5. Connect the sensor to the controller using the keyed quick-connect fitting. Hand-tighten (refer to [Figure 4](#)).

Note: Connector cables are available in various lengths (refer to section [7.2 on page 27](#)). Maximum overall cable length is 40 m (131,23 ft).

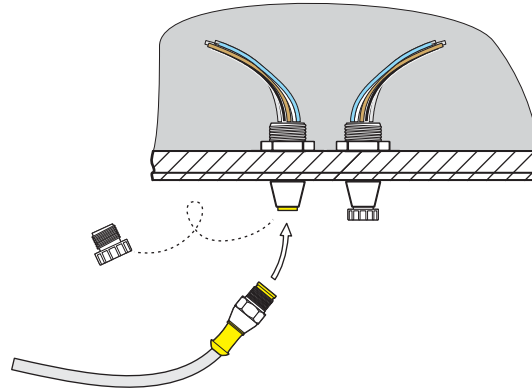


Figure 4 Connect the sensor to the controller

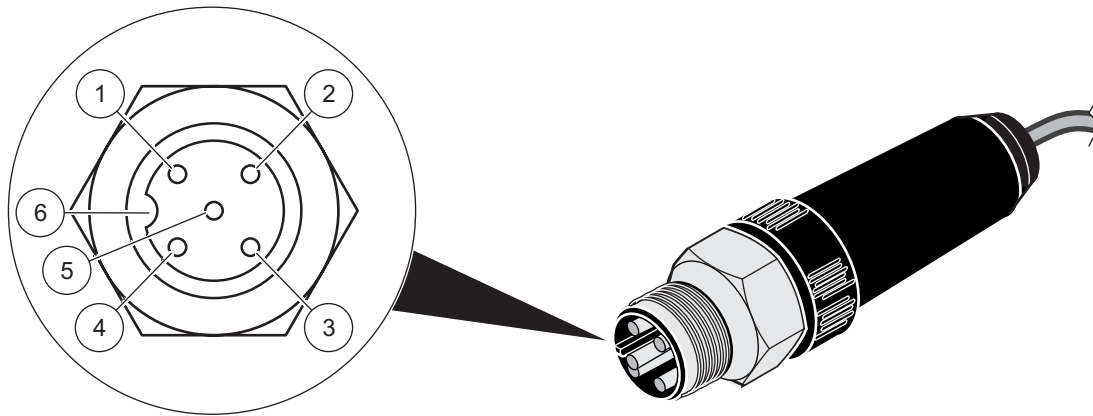


Figure 5 Pin configuration

Number	Description	Standard cable, cable color
1	+12 VDC	brown
2	Ground	black
3	Data (+)	blue
4	Data (-)	white
5	Screen	Screen (gray)
6	Guide	

3.2 Installation options

The sensor may need to be installed with additional optional accessories depending on the area of application (refer to section 7.3 on page 27).

Note: Refer to the documentation supplied with the accessories for detailed installation instructions.

3.2.1 Installation with the chain mount kit

The FP 360 sc sensor is installed with the chain mount kit in open channels, shafts and tanks.

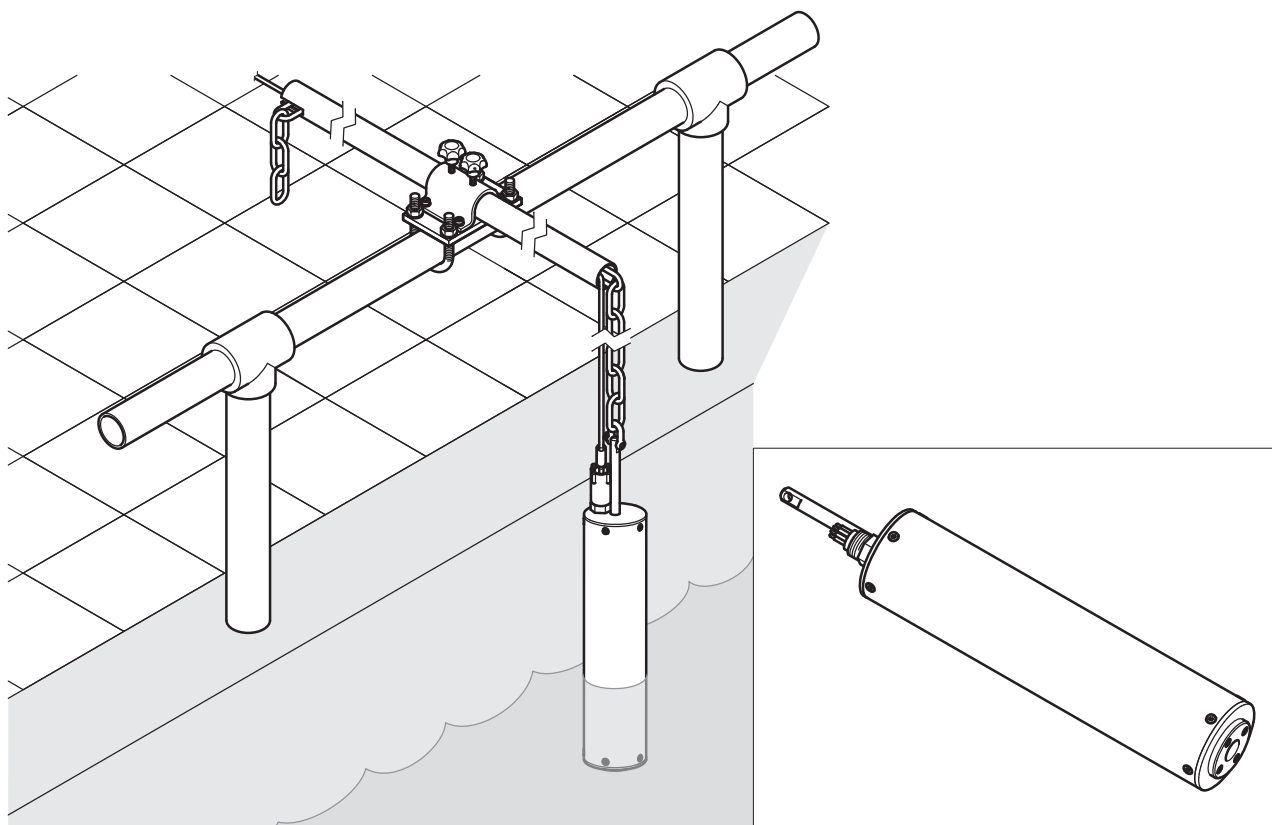


Figure 6 FP 360 sc measurement sensor with chain mount kit

3.2.2 Installation of chain mount kit for sensors with cleaning unit

3.2.2.1 Install the cleaning unit hose

Note: An air hose is required, to operate the sensor with the optional cleaning unit. An oil-free compressed air (6 bar) and a solenoid valve or the HOAB compressed air cleaning system is also required (refer to section 7.3 on page 27).

With the HOAB compressed air cleaning system, replace the end of the hose connection that is connected to the compressed air on the underside of the instrument with the straight 6 mm fitting (refer to Figure 2 on page 9, item 5) supplied with the probe.

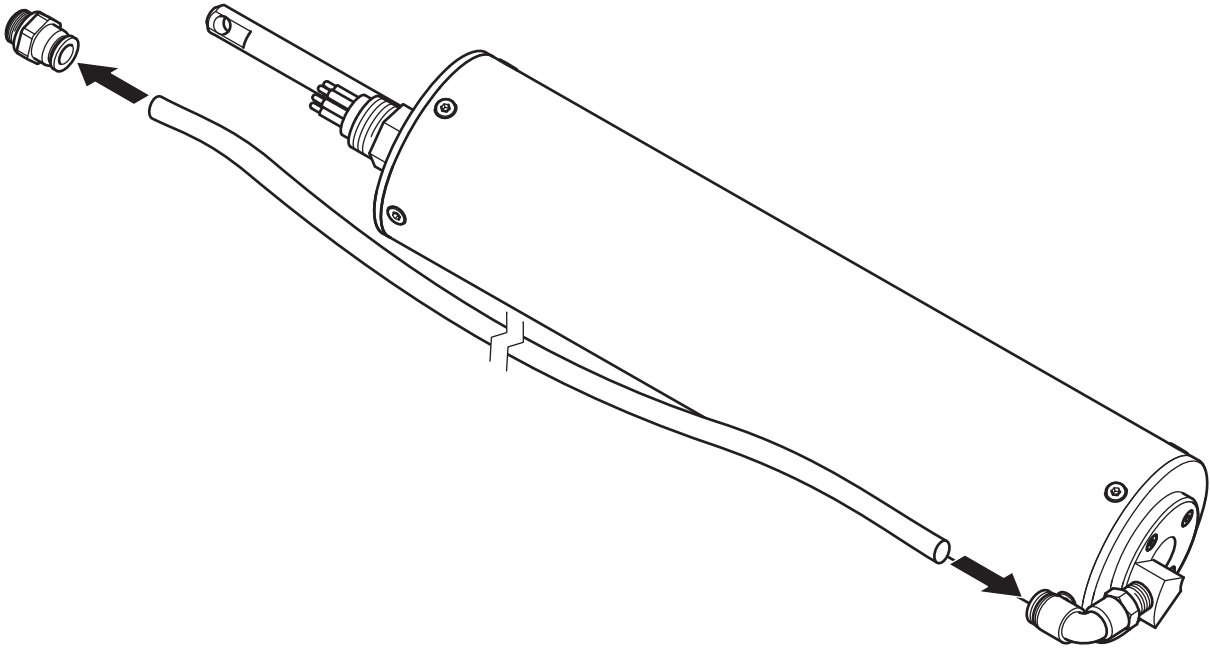


Figure 7 Install the cleaning unit hose

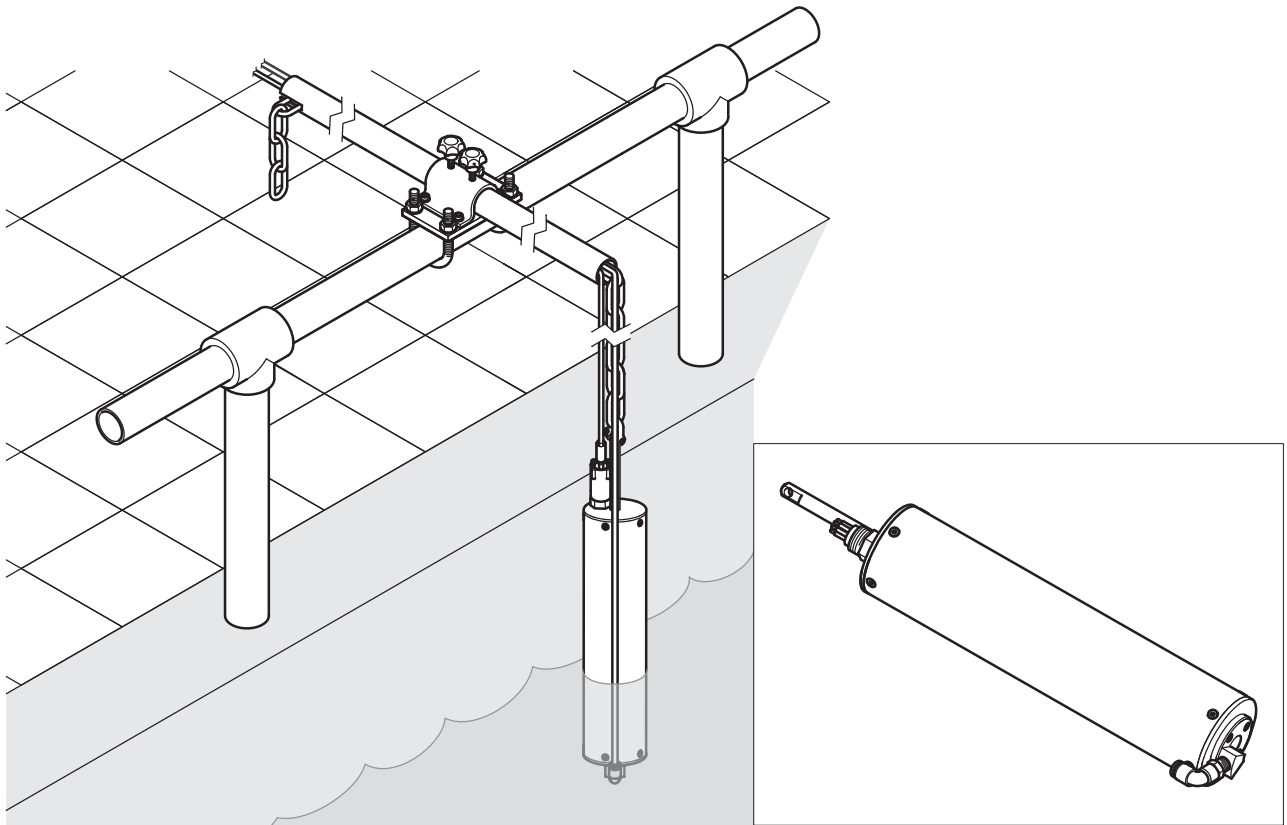


Figure 8 FP 360 sc measurement sensor with cleaning unit and chain mount kit

3.2.3 Installation with flow cell

The FP 360 sc sensor with flow cell is installed for samples free of solids and particulates and limited sample flows.

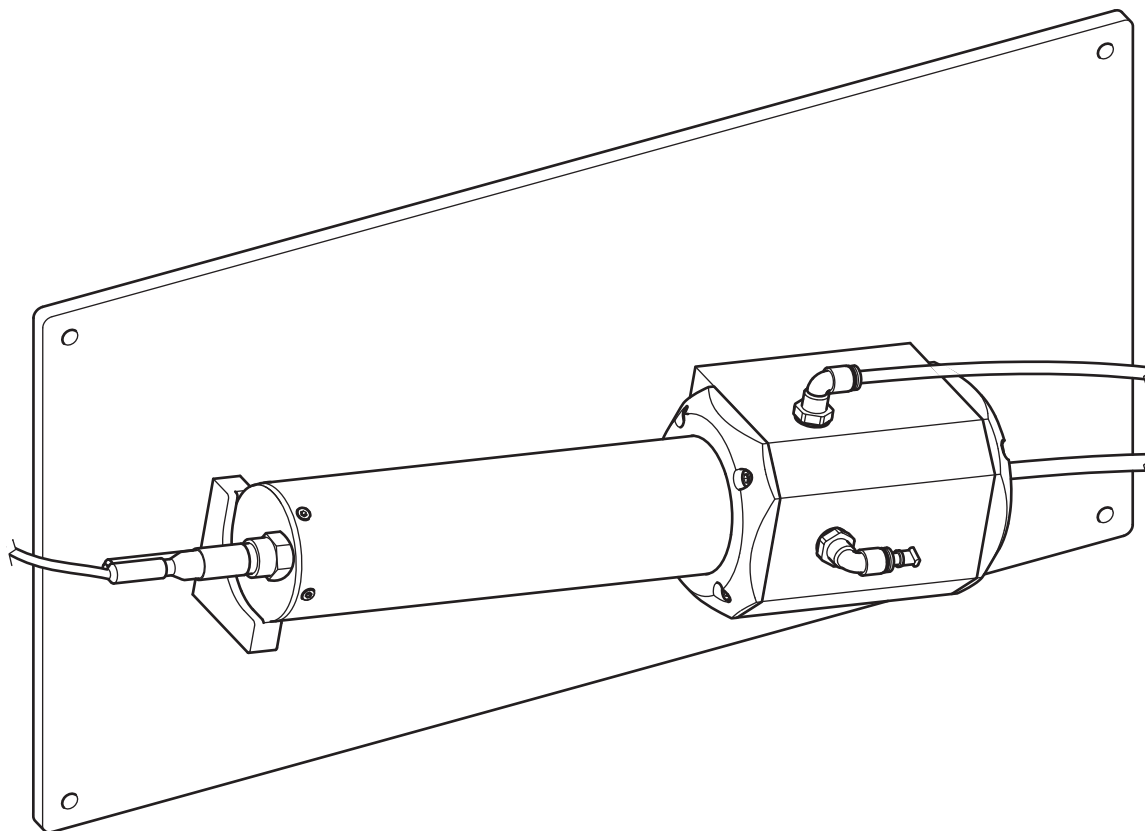


Figure 9 Installation with flow cell

Section 4 Operation

4.1 User interface and navigation

The sensor can be used with sc controllers from sc100. Refer to the controller documentation for keypad description and navigation information.

4.2 Sensor setup

When the sensor is connected for the first time, the sensor serial number is displayed as the name of the sensor. To change the sensor name:

1. Open the MAIN MENU.
2. Select SENSOR SETUP and confirm.
3. Select the corresponding sensor and confirm.
4. Select CONFIGURE and confirm.
5. Select EDIT NAME and confirm.
6. Edit the name and confirm to return to the SENSOR SETUP menu.

Complete sensor configuration in the same manner, with the following menu options selected:

- SET PARAMETER
- SELECT UNITS
- AVERAGE
- LOG SETUP
- GAIN VALUE

4.3 Sensor data logger

There is a data log and event log available for each sensor.

In the data log, the measurement data are stored at preset intervals; the event log stores events such as configuration changes, alarm messages and warning messages. Both logs can be exported to CSV format (refer to the controller manual).

4.4 Menu structure

4.4.1 SENSOR STATUS

SELECT SENSOR (if there is more than one sensor)	
ERROR LIST	Possible error messages: SENSOR ERROR
WARNING LIST	Possible warning messages: TEST/MAINT, BULB CHANGE, LAST CONFIGUR, TARGET VALUE

Note: Refer to [Section 6 on page 25](#) for a list of all possible error and warning messages together with a description of all necessary countermeasures to be taken.

4.4.2 SENSOR SETUP

SELECT SENSOR (if there is more than one sensor)	
CALIBRATE	
SET OUTMODE	Behavior of the outputs during calibration and zero point adjustment
HOLD	
ACTIVE	
SET TRANSFER	
SENSOR MEASURE	Current, uncorrected measurement value
CONFIGURE	FACTOR: 0.1 to 100 OFFSET: -1000 to +1000
FACTOR	
OFFSET	
2 POINT	
3 POINT	
4 POINT	
5 POINT	
FACTOR	Is shown when FACTOR has been selected under CONFIGURE. Refer to section 4.5 on page 20 for detailed information.
OFFSET	Is shown when OFFSET has been selected under CONFIGURE. Refer to section 4.5 on page 20 for detailed information.
2 POINT	Is shown when 2 POINT has been selected under CONFIGURE. Refer to section 4.5 on page 20 for detailed information.
3 POINT	Is shown when 3 POINT has been selected under CONFIGURE. Refer to section 4.5 on page 20 for detailed information.
4 POINT	Is shown when 4 POINT has been selected under CONFIGURE. Refer to section 4.5 on page 20 for detailed information.
5 POINT	Is shown when 5 POINT has been selected under CONFIGURE. Refer to section 4.5 on page 20 for detailed information.
SET CAL DEFLT	Security query, reset to (FACTOR=1, OFFSET=0)

4.4.2 SENSOR SETUP (Continued)

SELECT SENSOR (if there is more than one sensor)	
CONFIGURE	
EDIT NAME	Name can include up to 16 characters, DEFAULT CONFIG: sensor serial number
SET PARAMETER	PAH: Measurement value related to PAH calibration standard OIL: Measurement value related to oil calibration standard DEFAULT CONFIG: PAH
SELECT UNITS	ppb, ppm, µg/L, mg/L, DEFAULT CONFIG: ppb
AVERAGE	1 to 300 s, DEFAULT CONFIG: 3 s
LOG SETUP	5 s, 30 s, 1 min, 2 min, 3 min, 4 min, 5 min, 6 min, 10 min, 15 min, 30 min, DEFAULT CONFIG: 10 min
GAIN VALUE	Range 0 to 500 ppb: AUTO, 0.01 to 50, 0.01 to 500, Range 0 to 5000 ppb: AUTO, 0.01 to 500, 0.01 to 5000 DEFAULT CONFIG: AUTO
SET DEFAULTS	Security query, reset to preset configuration for all menu options listed above.
DIAG/TEST	
PROBE INFO	
SENSOR NAME	Device name
EDIT NAME	
SERIAL NUMBER	Device serial number
RANGE	0 to 500 or 0 to 5000
MODEL NUMBER	Item no. Sensor
CODE VERSION	Sensor software
COUNTER	
OPERATING HOURS	Operating hours counter
MAINTENANCE	Counter counting down days
BULB CHANGE	Counter counting down days
TEST/MAINT	
SET OUTMODE	Equipment output behavior in the SERVICE menu
HOLD	
ACTIVE	
SET TRANSFER	
SIGNALS	
LAMP CURR	Flash lamp intensity
DIAG/TEST	
REDADING OFFSET	
CUBE CAL	
	Password-protected access for the service

4.5 Calibration

4.5.1 Factory calibration

The calibration curve zero point and slope are preset. Retrospective calibration of these basic settings is generally not required outside of the inspection intervals.

Do regular zero point checks to make sure that impurities or faults are being detected (refer to section [4.5.3 on page 21](#)).

If the zero signal increases due to the measuring medium components or the installation conditions, you can compensate for this influence via an offset correction. Carry out a lab analysis of the sample to do this. If there is no PAH/oil contamination in the measuring medium, enter the measurement value shown by the device as the offset (refer to section [4.5.4.2 on page 22](#)).

4.5.2 Process calibration/adjustment

The sensor is pre-calibrated with various concentrations of a special calibration standard in ultra-pure water. These ideal measurement conditions rarely occur in reality. The measurement values shown are qualitative trend indicators if no adjustment is made to the on-site measurement conditions.

If you require quantitatively correct measurement values, either a slope adjustment or a multi-point calibration needs to be carried out. Both of these operations must be carried out on site using lab analysis data. Basic prerequisites for quantitative measurements are precise knowledge about the oil type in occurrence and constant measurement conditions, e.g. in cool water in a heat exchanger. If several oils are present in varying quantities, it is generally not possible to carry out a quantitative measurement.

If the measurement conditions change, you must check the accuracy of the results again through lab analyses and make any adjustments where necessary.

The measurement conditions can change in terms of

- Composition of PAH or oil impurities
- Distribution of impurities in water
- Temp
- Measuring medium composition
- Measurement sensor and measurement window

4.5.2.1 Determination of factors and adjustment of slope

To adjust the slope:

1. At the sensor installation site, draw a lab sample of the measuring medium and promptly analyze the sample for PAH and oil content.
2. Make a note of the measurement value shown on the controller at the time of the sample being taken. Make sure the correct unit is shown for the measurement value, e.g. as ppm oil.
3. Repeat steps 1 and 2 several times.
4. Use the sample value and the value shown on the controller at the time of sampling to calculate a factor.
5. Find an average value from the factors.

6. Enter the factor as the slope (refer to section 4.5.4.1 on page 21).

Example for engine oil	Example for naphthalene
Lab value: 4.0 ppm oil Measurement value shown ¹ : 2.4 ppm oil Calculated factor: 1.67	Lab value: 420 ppb PAH Measurement value shown ¹ : 120 ppb PAH Calculated factor: 3.5

¹ At the time of sampling

It is advisable to adjust the slope if the following conditions apply:

- If the measuring sample is PAH-/oil free, the measurement value must almost be zero.
- The factors calculated from the lab values must enable a sensible average value to be derived.

If these conditions do not apply, do a multi-point calibration.

Note: If both the zero point and the slope must be changed, use a 2-point calibration (refer to section 4.5.4.3 on page 22).

4.5.2.2 Multi-point calibration

In the event of a multi-point calibration, enter the lab value as the target value and the value shown as the actual value. Make sure that all values are entered in the same unit, e.g. oil in ppm. (refer to section 4.5.4.3 on page 22).

4.5.3 Check the zero point

- Medium: ultra-pure water
- Target value: < 1 ppb. Clean the window in the event of deviations.

Use a glass container (not plastic) large enough to enable the measurement to be taken with an 8 to 10 cm distance between the measurement window and the base (e.g. a 1000 mL glass beaker). Place a black, non-reflective underlay under the container and switch off artificial lights during the measurement process.

Note: In air, the measurement value displayed is not exactly zero due to reflections on the window surface. This is standard sensor behavior and not an indicator of malfunction.

Note: Always use ultra-pure water. Distilled water and demineralized water are not suitable as these can contain organic compounds.

4.5.4 Adjustment of slope and zero point; multi-point calibration

4.5.4.1 Adjust the slope (FACTOR)

1. Open the MAIN MENU.
2. Select SENSOR SETUP and confirm.
3. Select the corresponding sensor and confirm.
4. Select CALIBRATE and confirm.
5. Select CONFIGURE and confirm.
6. Select FACTOR and confirm.
7. Enter the calculated factor and confirm.
8. Go back to the MAIN MENU or the Measurement mode display.

4.5.4.2 Adjust the zero point (OFFSET)

1. Open the MAIN MENU.
2. Select SENSOR SETUP and confirm.
3. Select the corresponding sensor and confirm.
4. Select CALIBRATE and confirm.
5. Select CONFIGURE and confirm.
6. Press OFFSET and confirm.
7. Enter the required offset and confirm.
8. Go back to the MAIN MENU or the Measurement mode display.

4.5.4.3 Multi-point calibration (2 to 5-point calibration)

Note: Multi-point calibration means that the pairs must be input in ascending order.

1. Open the MAIN MENU.
2. Select SENSOR SETUP and confirm.
3. Select the corresponding sensor and confirm.
4. Select CALIBRATE and confirm.
5. Select CONFIGURE and confirm.
6. Select the type of calibration, e.g. 2 POINT and confirm.
7. Select 1PAIR and confirm.
8. Edit the TARGET VALUE and confirm.
9. Edit the ACTUAL VALUE and confirm.
10. Repeat the process for 2PAIR and confirm.
11. Go back to the MAIN MENU or the Measurement mode display.

Section 5 Maintenance

The inside of the sensor is maintenance-free.

The cleanliness of the measurement window in the sensor head has an impact on the accuracy of measurements. Check the measurement window at regular intervals to make sure it is clean. The required frequency of these checks is dependent on the measuring medium. Also do a check in the event of unusually high measurement values and clean the measurement window if necessary (refer to section 5.3 on page 24).

For sensors with a cleaning unit, adjust the frequency of cleaning to the measurement conditions. The inspection interval must be shortened to reflect any increase in solid matter.

NOTICE

Individual components of the suspension device (shackle and chain of the chain mount kit) are made of stainless steel and may corrode.

5.1 Maintenance schedule

	Interval	Maintenance task ¹
Visual inspection	Application-dependent	Check for contamination and corrosion.
System inspection	Every 2 years	Check plugs and flash bulb.
Calibration check	Every 2 years	Check calibration

¹ When operated according to factory settings and appropriate use

Contact the manufacturer's service department every 2 years to arrange sensor inspection, testing, calibration and seal replacement. The flash bulb is also replaced every 4 years.

5.2 Maintenance for the connectors on the sensor

The 8-pin connector on the sensor is designed for constant usage under water. The connector is lubricated with high-performance grease at the factory and does not require any additional maintenance from the recommended sensor inspection cycles.

To maintain the performance of the connectors:

- Protect the neoprene components of the connector against high temperatures and intense solar radiation. If this cannot be avoided, moisten the dried out neoprene components with clean, clear water. Subsequently, loosen the connector.
- The pins must always be lightly lubricated. Only apply a very thin film of lubricant. Recommended lubricants are Loctite 8021 as a spray or Molykote 44 Medium. The lubricant must not come into contact with the measurement window.
- Rinse out grains of sand and solid matter from the cable socket.
- To loosen the connector, unscrew the safety sleeve and pull out the plug longitudinally.
- Avoid flexing the plug and pulling on the cable.
- Do not loosen the connector at ambient temperatures below 0 °C. Heat the neoprene components carefully to temperatures above 0 °C and then loosen the connector.
- Avoid kinks or tight bend in the cables.

5.3 Cleaning the measurement windows

⚠ CAUTION

Cleaning agents can be hazardous to health.
Wear protective equipment and avoid direct contact with cleaning fluids.

NOTICE

Other cleaning agents can damage the material. Damage caused by cleaning carried out incorrectly is not covered by the warranty.

1. Rinse the sensor with fresh water until all attached solid matter has been removed.
2. Use pure acetone and a soft, clean cloth (e.g. camera lens cleaning paper) to carefully remove the deposits on the measurement window. Avoid sharp objects on the measurement window surface.
3. Rinse the residue from the cleaning agent with fresh water.

Section 6 Troubleshooting

6.1 Error messages

Possible sensor errors displayed by the sc controller.

Displayed errors	Definition	Resolution
SENSOR ERROR	Electronic defect	Call manufacturer customer service

6.2 Warnings

Possible sensor warning messages displayed by the sc controller.

Displayed warnings	Definition	Resolution
DIAG/TEST	Counter expired	Call manufacturer customer service
BULB CHANGE	Counter expired	Call manufacturer customer service
LAST CONFIGUR	Changed configuration was not accepted	Send configuration again
TARGET VALUE	With multi-point calibration, values not entered in ascending order	Enter calibration values in ascending order

6.3 Replacement parts

Designation	Quantity	Service life
Flash bulb	1	4 years
O-Rings	4	2 years

Section 7 Replacement parts and accessories

7.1 Sensor options

Description	Cat. no.
Range 0 to 50/500 ppb, stainless steel housing, cable length 10 m without cleaning unit	LXV441.99.11102
Range 0 to 50/500 ppb, stainless steel housing, cable length 10 m with cleaning unit and fittings (not in connection with flow cell)	LXV441.99.11202
Range 0 to 50/500 ppb, stainless steel housing, cable length 1.5 m without cleaning unit	LXV441.99.11302
Range 0 to 50/500 ppb, titanium housing, cable length 10 m without cleaning unit	LXV441.99.12102
Range 0 to 50/500 ppb, titanium housing, cable length 10 m with cleaning unit and fittings (not in connection with flow cell)	LXV441.99.12202
Range 0 to 50/500 ppb, titanium housing, cable length 1.5 m without cleaning unit	LXV441.99.12302
Range 0 to 500/5000 ppb, stainless steel housing, cable length 10 m without cleaning unit	LXV441.99.21102
Range 0 to 500/5000 ppb, stainless steel housing, cable length 10 m with cleaning unit and fittings (not in connection with flow cell)	LXV441.99.21202
Range 0 to 500/5000 ppb, stainless steel housing, cable length 1.5 m without cleaning unit	LXV441.99.21302
Range 0 to 500/5000 ppb, titanium housing, cable length 10 m without cleaning unit	LXV441.99.22102
Range 0 to 500/5000 ppb, titanium housing, cable length 10 m with cleaning unit and fittings (not in connection with flow cell)	LXV441.99.22202
Range 0 to 500/5000 ppb, titanium housing, cable length 1.5 m without cleaning unit	LXV441.99.22302

7.2 Replacement parts

Description	Cat. no.
Connector cable 1.5 m	LZY623
Connector cable 10 m	LZY624
Shackle, stainless steel 1.4301	LZY668
Gasket and screw set for flow cell	LZY625
Fitting set for flow cell	LZY626
Pressure ring and angle bracket for flow cell	LZY674
Chain mount kit instructions	DOC273.99.90164
Flow cell instructions	DOC273.99.90165

7.3 Accessories

Description	Cat. no.
Extension cable (5 m/16.40 ft)	LZX848
Extension cable (10 m/32.81 ft)	LZX849
Extension cable (15 m/49.21 ft)	LZX850
Extension cable (20 m/65.62 ft)	LZX851
Extension cable (30 m/98.43 ft)	LZX852
Flow cell on prefabricated wall including gasket set	LZY669
V4A chain mount kit	LZX914.99.11110
HOAB compressed air cleaning system, 115 V, HACH version	6860000
Hose for air and measuring medium 5 m, 6/4 mm external/internal diameter	LZY619
Hose for air and measuring medium 10 m, 6/4 mm external/internal diameter	LZY620
Hose for air and measuring medium 25 m, 6/4 mm external/internal diameter	LZY621
Hose for measuring medium 5 m, 8/6 mm external/internal diameter	LZY672

7.3 Accessories (table continued)

Description	Cat. no.
Hose for measuring medium 10 m, 8/6 mm external/internal diameter	LZY673

Section 8 Contact information

HACH Company World Headquarters

P.O. Box 389
Loveland, Colorado
80539-0389 U.S.A.
Tel (800) 227-HACH
(800) -227-4224
(U.S.A. only)
Fax (970) 669-2932
orders@hach.com
www.hach.com

Repair Service in the United States:

HACH Company
Ames Service
100 Dayton Avenue
Ames, Iowa 50010
Tel (800) 227-4224
(U.S.A. only)
Fax (515) 232-3835

Repair Service in Canada:

Hach Sales & Service
Canada Ltd.
1313 Border Street, Unit 34
Winnipeg, Manitoba
R3H 0X4
Tel (800) 665-7635
(Canada only)
Tel (204) 632-5598
Fax (204) 694-5134
canada@hach.com

Repair Service in Latin America, the Caribbean, the Far East, Indian Subcontinent, Africa, Europe, or the Middle East:

Hach Company World
Headquarters,
P.O. Box 389
Loveland, Colorado,
80539-0389 U.S.A.
Tel +001 (970) 669-3050
Fax +001 (970) 669-2932
intl@hach.com

HACH LANGE GMBH

Willstätterstraße 11
D-40549 Düsseldorf
Tel. +49 (0)2 11 52 88-320
Fax +49 (0)2 11 52 88-210
info@hach-lange.de
www.hach-lange.de

HACH LANGE LTD

Pacific Way
Salford
GB-Manchester, M50 1DL
Tel. +44 (0)161 872 14 87
Fax +44 (0)161 848 73 24
info@hach-lange.co.uk
www.hach-lange.co.uk

HACH LANGE LTD

Unit 1, Chestnut Road
Western Industrial Estate
IRL-Dublin 12
Tel. +353(0)1 46 02 5 22
Fax +353(0)1 4 50 93 37
info@hach-lange.ie
www.hach-lange.ie

HACH LANGE GMBH

Hütteldorferstr. 299/Top 6
A-1140 Wien
Tel. +43 (0)1 9 12 16 92
Fax +43 (0)1 9 12 16 92-99
info@hach-lange.at
www.hach-lange.at

HACH LANGE

Rorschacherstrasse 30 a
CH-9424 Rheineck
Tel. +41 (0)71 886 91 11
Fax +41 (0)71 886 91 66
info@hach-lange.ch
www.hach-lange.ch

HACH LANGE FRANCE S.A.S.

8, mail Barthélémy Thimonnier
Lognes
F-77437 Marne-La-Vallée
cedex 2
Tél. +33 (0)8 20 20 14 14
Fax +33 (0)1 69 67 34 99
info@hach-lange.fr
www.hach-lange.fr

HACH LANGE SA

Motstraat 54
B-2800 Mechelen
Tél. +32 (0)15 42 35 00
Fax +32 (0)15 41 61 20
info@hach-lange.be
www.hach-lange.be

DR. LANGE NEDERLAND B.V.

Laan van Westroijen 2a
NL-4003 AZ Tiel
Tel. +31(0)344 63 11 30
Fax +31(0)344 63 11 50
info@hach-lange.nl
www.hach-lange.nl

HACH LANGE APS

Åkandevej 21
DK-2700 Brønshøj
Tel. +45 36 77 29 11
Fax +45 36 77 49 11
info@hach-lange.dk
www.hach-lange.dk

HACH LANGE AB

Vinthundsvägen 159A
SE-128 62 Sköndal
Tel. +46 (0)8 7 98 05 00
Fax +46 (0)8 7 98 05 30
info@hach-lange.se
www.hach-lange.se

HACH LANGE S.R.L.

Via Riccione, 14
I-20156 Milano
Tel. +39 02 39 23 14-1
Fax +39 02 39 23 14-39
info@hach-lange.it
www.hach-lange.it

HACH LANGE S.L.U.

Edif. Arteaga Centrum
C/Larrauri, 1C- 2ª Pl.
E-48160 Derio/Vizcaya
Tel. +34 94 657 33 88
Fax +34 94 657 33 97
info@hach-lange.es
www.hach-lange.es

HACH LANGE LDA

Av. do Forte nº8
Fracção M
P-2790-072 Carnaxide
Tel. +351 214 253 420
Fax +351 214 253 429
info@hach-lange.pt
www.hach-lange.pt

HACH LANGE SP.ZO.O.

ul. Opolska 143 a
PL-52-013 Wrocław
Tel. +48 (0)71 342 10-83
Fax +48 (0)71 342 10-79
info@hach-lange.pl
www.hach-lange.pl

HACH LANGE S.R.O.

Lešanská 2a/1176
CZ-141 00 Praha 4
Tel. +420 272 12 45 45
Fax +420 272 12 45 46
info@hach-lange.cz
www.hach-lange.cz

HACH LANGE S.R.O.

Roľnícka 21
SK-831 07 Bratislava –
Vajnory
Tel. +421 (0)2 4820 9091
Fax +421 (0)2 4820 9093
info@hach-lange.sk
www.hach-lange.sk

HACH LANGE KFT.

Vöröskereszt utca. 8-10.
H-1222 Budapest XXII. ker.
Tel. +36 (06)1 225 7783
Fax +36 (06)1 225 7784
info@hach-lange.hu
www.hach-lange.hu

HACH LANGE S.R.L.

Str. Căminului nr. 3
Sector 2
RO-021741 București
Tel. +40 (0) 21 205 30 03
Fax +40 (0) 21 205 30 17
info@hach-lange.ro
www.hach-lange.ro

HACH LANGE

8, Kr. Sarafov str.
BG-1164 Sofia
Tel. +359 (0)2 963 44 54
Fax +359 (0)2 866 15 26
info@hach-lange.bg
www.hach-lange.bg

HACH LANGE SU ANALİZ SİSTEMLERİ LTD.ŞTİ.

Hilal Mah. 75. Sokak
Arman Plaza No: 9/A
TR-06550 Çankaya/ANKARA
Tel. +90 (0)312 440 98 98
Fax +90 (0)312 442 11 01
bilgi@hach-lange.com.tr
www.hach-lange.com.tr

Contact information

HACH LANGE D.O.O.

Fajfarjeva 15
SI-1230 Domžale
Tel. +386 (0)59 051 000
Fax +386 (0)59 051 010
info@hach-lange.si
www.hach-lange.si

HACH LANGE E.Π.E.

Αυλίδος 27
GR-115 27 Αθήνα
Τηλ. +30 210 7777038
Fax +30 210 7777976
info@hach-lange.gr
www.hach-lange.gr

HACH LANGE E.P.E.

27, Avlidos str
GR-115 27 Athens
Tel. +30 210 7777038
Fax +30 210 7777976
info@hach-lange.gr
www.hach-lange.gr

HACH LANGE D.O.O.

Ivana Severa bb
42 000 Varaždin
Tel. +385 (0) 42 305 086
Fax +385 (0) 42 305 087
info@hach-lange.hr
www.hach-lange.hr

HACH LANGE MAROC SARLAU

Villa 14 – Rue 2 Casa
Plaisance
Quartier Racine Extension
MA-Casablanca 20000
Tél. +212 (0)522 97 95 75
Fax +212 (0)522 36 89 34
info-maroc@hach-lange.com
www.hach-lange.ma

Section 9 Limited warranty

Hach Company warrants its products to the original purchaser against any defects that are due to faulty material or workmanship for a period of one year from date of shipment unless otherwise noted in the product manual.

In the event that a defect is discovered during the warranty period, Hach Company agrees that, at its option, it will repair or replace the defective product or refund the purchase price excluding original shipping and handling charges. Any product repaired or replaced under this warranty will be warranted only for the remainder of the original product warranty period.

This warranty does not apply to consumable products such as chemical reagents; or consumable components of a product, such as, but not limited to, lamps and tubing.

Contact Hach Company or your distributor to initiate warranty support. Products may not be returned without authorization from Hach Company.

Limitations

This warranty does not cover:

- Damage caused by acts of God, natural disaster, labor unrest, acts of war (declared or undeclared), terrorism, civil strife or acts of any governmental jurisdiction
- Damage caused by misuse, neglect, accident or improper application or installation
- Damage caused by any repair or attempted repair not authorized by Hach Company
- Any product not used in accordance with the instructions furnished by Hach Company
- Freight charges to return merchandise to Hach Company
- Freight charges on expedited or express shipment of warranted parts or product
- Travel fees associated with on-site warranty repair

This warranty contains the sole express warranty made by Hach Company in connection with its products. All implied warranties, including without limitation, the warranties of merchantability and fitness for a particular purpose, are expressly disclaimed.

Some states within the United States do not allow the disclaimer of implied warranties and if this is true in your state the above limitation may not apply to you. This warranty gives you specific rights, and you may also have other rights that vary from state to state.

This warranty constitutes the final, complete, and exclusive statement of warranty terms and no person is authorized to make any other warranties or representations on behalf of Hach Company.

Limitation of Remedies

The remedies of repair, replacement or refund of purchase price as stated above are the exclusive remedies for the breach of this warranty. On the basis of strict liability or under any other legal theory, in no event shall Hach Company be liable for any incidental or consequential damages of any kind for breach of warranty or negligence.

Appendix A Modbus register

Table 1 Sensor Modbus registers

Register#	Data type	Length	R/W	Description
40001	Unsigned integer	1	R	Reserved
40002	Float	2	R	Measurement value as PAH, unit PPB
40004	Float	2	R	Measurement value as PAH, unit PPM
40006	Float	2	R	Measurement value as OIL, unit PPB
40008	Float	2	R	Measurement value as OIL, unit PPM
40016	String	6	R	Serial number
40022	String	8	R/W	Name of location
40030	Unsigned integer	1	R/W	Choose the parameter, 47=PAH, 48=OIL
40031	Unsigned integer	1	R/W	Measurement units 38=ppb, 39= g/L, 2=ppm, 0=mg/L
40040	Float	2	R/W	Offset for calibration
40042	Float	2	R/W	Factor for calibration
40050	Unsigned integer	1	R/W	Logging interval from 5 sec to 1800 sec
40051	Unsigned integer	1	R/W	Measuring interval from 1 sec to 300 sec
40052	Unsigned integer	1	R/W	Amplification for the low/high range probe, 0=AUTO, 1= 0.01 to 50/500 PPB, 2= 0.01 to 500/5000 PPB
40055	Unsigned integer	1	R/W	Set output mode for calibration
40056	Unsigned integer	1	R/W	Set output mode for service
40057	Float	2	R	Version of application file
40059	Float	2	R	The entry is for the application file
40061	Float	2	R	Version of the probe
40063	Unsigned integer	1	R	The entry is for the device driver file
40064	Unsigned integer	1	R	The entry is for the device driver file
40065	Unsigned integer	1	R	The entry is for the device driver file
40066	Integer	1	R	Days left until exchanging lamp, negative values show that exchange is overdue
40067	Integer	1	R	Days left until maintenance, negative values show that service is overdue
40068	Unsigned integer	2	R	Operating hours of analyzer

Index

A

Areas of application 8

C

Calibration 5

Chain mount kit 13

D

Data logger 17

Dimensions 6

E

Error messages 25

F

Flow cell 15

Function test 9

I

Inspection interval 6

M

Maintenance schedule 23

Measurement accuracy 5

Measuring method 5

Measuring principle 8

Measuring range 5

Modbus register 33

P

Precautionary labels 7

Pressure range 5

Product contents 8

R

Reproducibility 5

Response time 5

S

Safety information 7

Safety sleeve 11

Specifications 5

System configuration 17

W

Warnings 25

Wearing parts 25

