

Model: MX12F-1SE



1/2" Oval gear flow meter designed for the measurement of Fuels and Oils.

- Aluminium construction
- Viton® (FKM) seals
- Max flow rate 30 LPM / 8 GPM
- Temperatures up to 80°C
- Accuracy +/- 0.5% (0.25% available)
- Available with BSP(Rp) or NPT process connections

Select a Flowmeter

Step 1.Size

12 (1/2")

Step 2.Family

F series - FUEL AND OIL

Step 3.Process Connection

1 - BSP (Rp)

Step 4.Rotor Type

S - Standard

Step 5.Pulser

E - 12mm LC Display (with outputs)

Process Connection

Port Size	1/2"
Connection Type	BSP (Rp)

Material of Construction

Body	Aluminium
Rotor	PPS
Bushing	No bushes
Seal	FKM (Viton®)

Technical Specifications

Flow Range	<5cps	>5cps
	3 - 25 LPM	2 - 30 LPM
	0.8 - 6.6 GPM	0.5 - 8 GPM
Max Pressure	13790 kPa	2000 psi
Temperature	-20 - 60°C	-4 - 140°F
K-Factor	Refer to Flowmeter Data Plate	
Accuracy	+/- 0.5% (0.25% available with reduced range)	
Repeatability	+/- 0.03%	

Service Kits

	Part Number	Description
Rotor Kit	MXS-12F-rotor	Rotor set and O-ring
Seal Kit	MXS-12F-seal	Meter Cap O-Ring - FKM (Viton®)

Accessories

SS Y Strainer	YS012-01 (60 mesh 250 µm)
Air Eliminator/Strainer	N/A
Wall Mount Adaptor	MXA-12-WM
3 point cal check	MXA-3ptcal
Pressure test	MXA- PRESSTEST

DIGITAL DISPLAY

TYPE: E



Type PRA 12mm LC Display (c/w outputs)

The PRA series is a meter mounted digital register with a 12mm LCD display, providing real-time indication of Flow rate, total and accumulated total. The output facilities include a 4-20mA, scaled pulse output and a High/Low flow alarm function.

Construction

Material	Polypropylene	
IP Rating	67	
Mounting	Meter Mount	
Connection	M-Lock™	
Cable Entry	2x 12mm (blind)	
Dimensions	Height (mm)	Diameter (mm)
	48 mm	99 mm

Technical Specifications

Power Supply	Battery	External Pwr Supply
	3V Lithium	18-30VDC
Backup	EEPROM Flash memory	
Outputs	4-20mA	
	Scaled Pulse	
	Hi/Lo Flow	

Service Kits

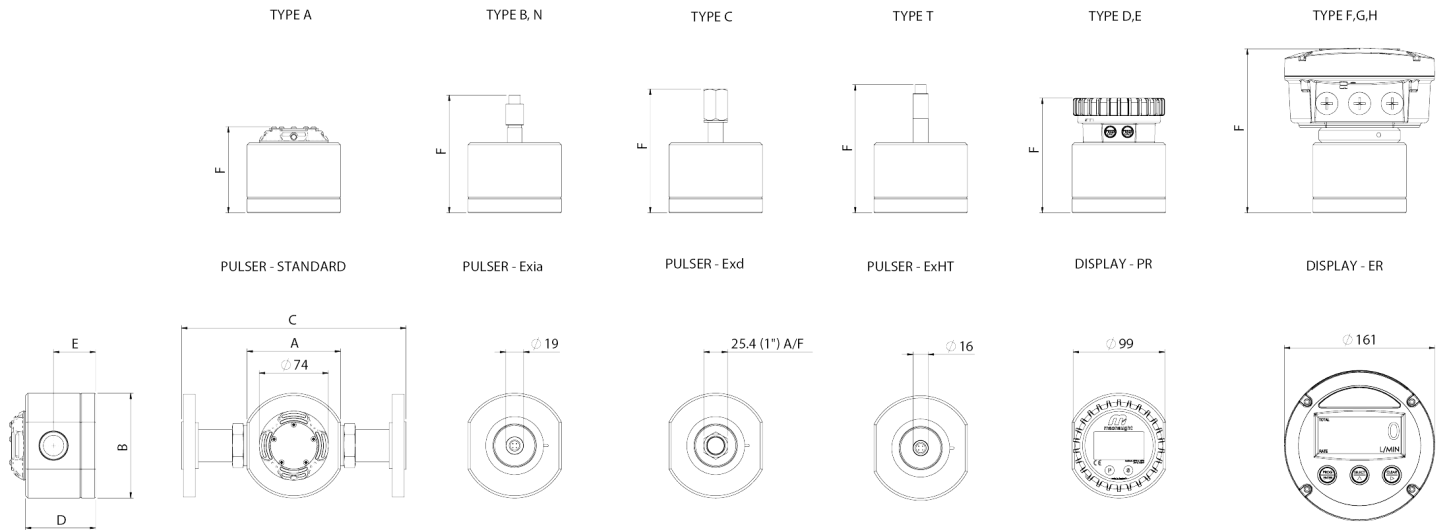
Part Number	Description
MXS-PCB-PR	PCB + Housing to suit display types D, E
MXS-DIS-PRA	LCD unit to suit Display PRA

LC Display

Digital Size	Upper LCD	Lower LCD	
	7 digit / 12mm	7 digit / 7mm	
Display	Total	Acc Total	Flow Rate
	resettable	non-resettable	User defined units

Dimensions

MX12F-1SE



METER SIZE	PORT SIZE	METER AND FLANGE DIMENSIONS					PULSAR AND DISPLAY HEIGHT - F					
		A	B	C	D	E	TYPE A	TYPE B, N	TYPE C	TYPE T	TYPE D,E	TYPE F,G,H
MX06	1/4"	71	74	N/A	42	25	59	93	100	104	90	143
MX09	1/4"	71	74	N/A	42	24	59	93	100	104	90	143
MX12	1/2"	81	87	N/A	49	28	66	100	107	111	97	150
MX19	3/4"	100	112	N/A	62	37	79	113	120	124	110	163
MX25	1"	100	112	240	75	45	92	126	133	137	123	176
MX40	1 1/2"	120	137	240	103	61	120	154	161	165	151	204
MX50	2"	140	163	264	124	72	141	175	182	186	172	225