

# Model: MX25F-1SA



1" Oval gear flow meter designed for the measurement of Fuels and Oils.

- Aluminium construction
- Viton® (FKM) seals
- Max flow rate 120 LPM / 32 GPM
- Temperatures up to 80°C
- Accuracy +/- 0.5% (0.25% available)
- Available with BSP(Rp), NPT, DIN, JIS or ANSI process connections

## Select a Flowmeter

### Step 1.Size

25 (1")

### Step 2.Family

F series - FUEL AND OIL

### Step 3.Process Connection

1 - BSP (Rp)

### Step 4.Rotor Type

S - Standard

### Step 5.Pulser

A - Pulse Output- Reed/Hall Effect

## Process Connection

Port Size	1"
Connection Type	BSP (Rp)

## Material of Construction

Body	Aluminium
Rotor	PPS
Bushing	No bushes
Seal	FKM (Viton®)

## Technical Specifications

Flow Range	<5cps	>5cps
	10 - 100 LPM	6 - 120 LPM
	2.6 - 26 GPM	1.6 - 32 GPM
Max Pressure	13790 kPa	2000 psi
Temperature	-40 - 80°C	-40 - 176°F
K-Factor	Refer to Flowmeter Data Plate	
Accuracy	+/- 0.5% (0.25% available with reduced range)	
Repeatability	+/- 0.03%	

## Service Kits

	Part Number	Description
Rotor Kit	MXS-25F-rotor	Rotor set and O-ring
Seal Kit	MXS-25F-seal	Meter Cap O-Ring - FKM (Viton®)

## Accessories

SS Y Strainer	YS025-01 (60 mesh 250 µm)
Air Eliminator/Strainer	N/A
Wall Mount Adaptor	MXA-25-WM
3 point cal check	MXA-3ptcal
Pressure test	MXA- PRESSTEST

# PULSER OUTPUT

## TYPE: A



### Standard

The Standard Pulser Module provides 1x Reed and 1 x Hall Effect (NPN open collector) switch outputs. The module is supplied with 1 mtr of cable.

### Construction

<b>Material</b>	Polypropylene	
<b>IP Rating</b>	67	
<b>Mounting</b>	Meter Mount	
<b>Connection</b>	5/8-18 UNF	
<b>Dimensions</b>	<b>Height (mm)</b>	<b>Diameter (mm)</b>
	17 mm	74 mm

### Technical Specifications

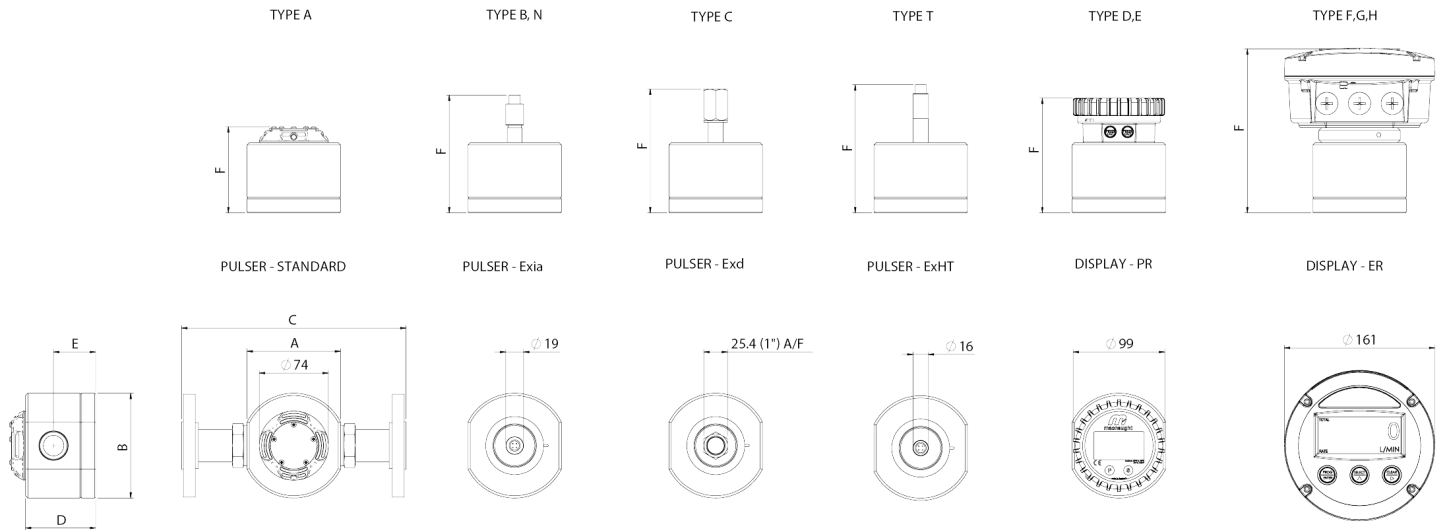
<b>Switch Type</b>	Pulse Output- Reed/Hall Effect		
<b>Approvals</b>	No approvals		
	-	-	
<b>Power Supply</b>	<b>Voltage (VDC)</b>	<b>Current (mA)</b>	
	Reed	30 VDC	500 mA
	Hall	4.5 - 24 VDC	7.5mA

### Service Kits

<b>Part Number</b>	<b>Description</b>
MXD-AS	MX Standard Pulser

# Dimensions

# MX25F-1SA



METER SIZE	PORT SIZE	METER AND FLANGE DIMENSIONS					PULSAR AND DISPLAY HEIGHT - F					
		A	B	C	D	E	TYPE A	TYPE B, N	TYPE C	TYPE T	TYPE D,E	TYPE F,G,H
MX06	1/4"	71	74	N/A	42	25	59	93	100	104	90	143
MX09	1/4"	71	74	N/A	42	24	59	93	100	104	90	143
MX12	1/2"	81	87	N/A	49	28	66	100	107	111	97	150
MX19	3/4"	100	112	N/A	62	37	79	113	120	124	110	163
MX25	1"	100	112	240	75	45	92	126	133	137	123	176
MX40	1 1/2"	120	137	240	103	61	120	154	161	165	151	204
MX50	2"	140	163	264	124	72	141	175	182	186	172	225