

# Model: MX06S-1SE



1/4" Oval gear flow meter designed for the measurement of industrial solvents.

- Aluminium construction
- FEP - Teflon® encapsulated seals
- Max flow rate 100 LPH / 26.4 GPH
- Temperatures up to 120°C
- Accuracy +/- 0.5% (0.25% available)
- Available with BSP(Rp) or NPT process connections

## Select a Flowmeter

### Step 1.Size

06 (1/4")

### Step 2.Family

S series - SOLVENTS

### Step 3.Process Connection

1 - BSP (Rp)

### Step 4.Rotor Type

S - Standard

### Step 5.Pulsar

E - 12mm LC Display (with outputs)

## Process Connection

|                 |          |
|-----------------|----------|
| Port Size       | 1/4"     |
| Connection Type | BSP (Rp) |

## Material of Construction

|         |               |
|---------|---------------|
| Body    | Aluminium     |
| Rotor   | 316SS         |
| Bushing | Carbon        |
| Seal    | FEP (Teflon®) |

## Technical Specifications

| Flow Range    | <5cps   | >5cps           |
|---------------|---|-----------------|
|               | 2 - 100 LPH                                   | 0.5 - 100 LPH   |
|               | 0.5 - 26 GPH                                  | 0.13 - 26.4 GPH |
| Max Pressure  | 6895 kPa                                      | 1000 psi        |
| Temperature   | -20 - 60°C                                    | -4 - 140°F      |
| K-Factor      | Refer to Flowmeter Data Plate                 |                 |
| Accuracy      | +/- 0.5% (0.25% available with reduced range) |                 |
| Repeatability | +/- 0.03%                                     |                 |

## Service Kits

|           | Part Number   | Description                      |
|-----------|---------------|----------------------------------|
| Rotor Kit | MXS-06S-rotor | Rotor set and O-ring             |
| Seal Kit  | MXS-06S-seal  | Meter Cap O-Ring - FEP (Teflon®) |

## Accessories

|                         |                |
|-------------------------|----------------|
| SS Y Strainer           | YS800-01       |
| Air Eliminator/Strainer | N/A            |
| Wall Mount Adaptor      | MXA-06-WM      |
| 3 point cal check       | MXA-3ptcal     |
| Pressure test           | MXA- PRESSTEST |

# DIGITAL DISPLAY

## TYPE: E



### Type PRA 12mm LC Display (c/w outputs)

The PRA series is a meter mounted digital register with a 12mm LCD display, providing real-time indication of Flow rate, total and accumulated total. The output facilities include a 4-20mA, scaled pulse output and a High/Low flow alarm function.

### Construction

|                    |                    |                      |
|--------------------|--------------------|----------------------|
| <b>Material</b>    | Polypropylene      |                      |
| <b>IP Rating</b>   | 67                 |                      |
| <b>Mounting</b>    | Meter Mount        |                      |
| <b>Connection</b>  | M-Lock™            |                      |
| <b>Cable Entry</b> | 2x 12mm (blind)    |                      |
| <b>Dimensions</b>  | <b>Height (mm)</b> | <b>Diameter (mm)</b> |
|                    | 48 mm              | 99 mm                |

### Technical Specifications

|                     |                     |                            |
|---------------------|---------------------|----------------------------|
| <b>Power Supply</b> | <b>Battery</b>      | <b>External Pwr Supply</b> |
|                     | 3V Lithium          | 18-30VDC                   |
| <b>Backup</b>       | EEPROM Flash memory |                            |
| <b>Outputs</b>      | 4-20mA              |                            |
|                     | Scaled Pulse        |                            |
|                     | Hi/Lo Flow          |                            |

### Service Kits

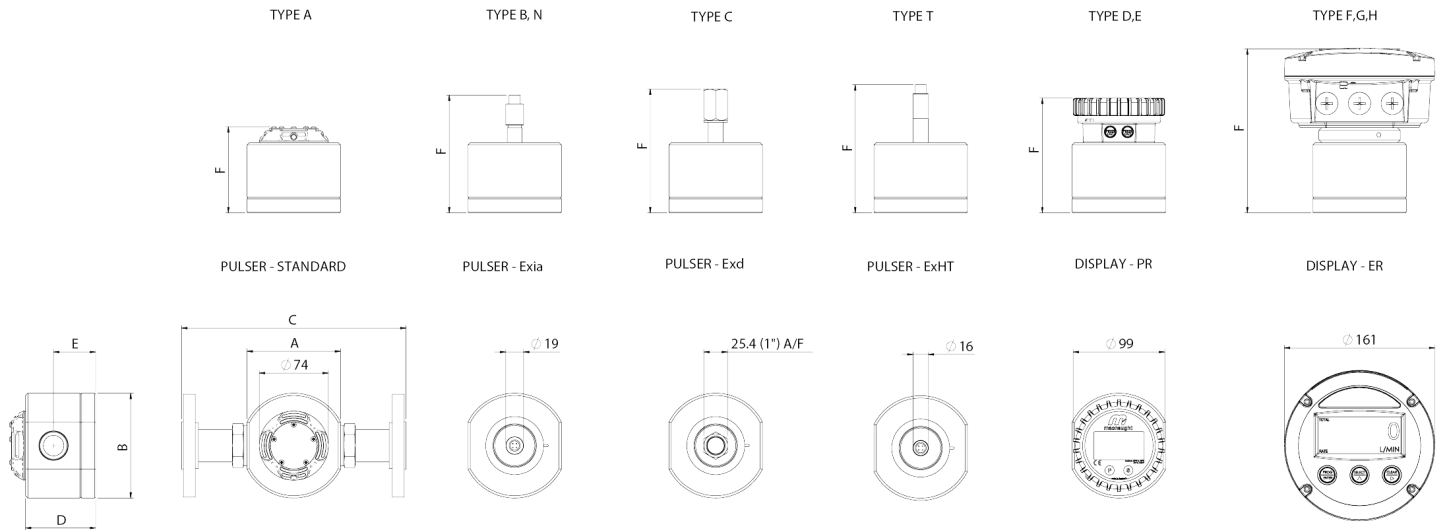
|                    |  |
|--------------------|--|
| <b>Part Number</b> | <b>Description</b>                       |
| MXS-PCB-PR         | PCB + Housing to suit display types D, E |
| MXS-DIS-PRA        | LCD unit to suit Display PRA             |

### LC Display

|                     |                  |                  |                    |
|---------------------|------------------|------------------|--------------------|
| <b>Digital Size</b> | <b>Upper LCD</b> | <b>Lower LCD</b> |                    |
|                     | 7 digit / 12mm   | 7 digit / 7mm    |                    |
| <b>Display</b>      | <b>Total</b>     | <b>Acc Total</b> | <b>Flow Rate</b>   |
|                     | resettable       | non-resettable   | User defined units |

# Dimensions

# MX06S-1SE



| METER SIZE | PORT SIZE | METER AND FLANGE DIMENSIONS |     |     |     |    | PULSAR AND DISPLAY HEIGHT - F |           |        |        |          |            |
|------------|-----------|-----------------------------|-----|-----|-----|----|-------------------------------|-----------|--------|--------|----------|------------|
|            |           | A                           | B   | C   | D   | E  | TYPE A                        | TYPE B, N | TYPE C | TYPE T | TYPE D,E | TYPE F,G,H |
| MX06       | 1/4"      | 71                          | 74  | N/A | 42  | 25 | 59                            | 93        | 100    | 104    | 90       | 143        |
| MX09       | 1/4"      | 71                          | 74  | N/A | 42  | 24 | 59                            | 93        | 100    | 104    | 90       | 143        |
| MX12       | 1/2"      | 81                          | 87  | N/A | 49  | 28 | 66                            | 100       | 107    | 111    | 97       | 150        |
| MX19       | 3/4"      | 100                         | 112 | N/A | 62  | 37 | 79                            | 113       | 120    | 124    | 110      | 163        |
| MX25       | 1"        | 100                         | 112 | 240 | 75  | 45 | 92                            | 126       | 133    | 137    | 123      | 176        |
| MX40       | 1 1/2"    | 120                         | 137 | 240 | 103 | 61 | 120                           | 154       | 161    | 165    | 151      | 204        |
| MX50       | 2"        | 140                         | 163 | 264 | 124 | 72 | 141                           | 175       | 182    | 186    | 172      | 225        |