

Model: MX09S-1SA



1/4" Oval gear flow meter designed for the measurement of industrial solvents.

- Aluminium construction
- FEP - Teflon® encapsulated seals
- Max flow rate 500 LPH / 132 GPH
- Temperatures up to 120°C
- Accuracy +/- 0.5% (0.25% available)
- Available with BSP(Rp) or NPT process connections
- Suitable for high viscosity fluids

Select a Flowmeter

Step 1.Size

09 (1/4")

Step 2.Family

S series - SOLVENTS

Step 3.Process Connection

1 - BSP (Rp)

Step 4.Rotor Type

S - Standard

Step 5.Pulsar

A - Pulse Output- Reed/Hall Effect

Process Connection

Port Size	1/4"
Connection Type	BSP (Rp)

Material of Construction

Body	Aluminium
Rotor	316SS
Bushing	Carbon
Seal	FEP (Teflon®)

Technical Specifications

Flow Range	<5cps	>5cps
	25 -500 LPH	15 -500 LPH
	6.6 - 132 GPH	4 - 132 GPH
Max Pressure	6895 kPa	1000 psi
Temperature	-40 - 120°C	-40 - 248°F
K-Factor	Refer to Flowmeter Data Plate	
Accuracy	+/- 0.5% (0.25% available with reduced range)	
Repeatability	+/- 0.03%	

Service Kits

	Part Number	Description
Rotor Kit	MXS-09S-rotor	Rotor set and O-ring
Seal Kit	MXS-09S-seal	Meter Cap O-Ring - FEP (Teflon®)

Accessories

SS Y Strainer	YS800-01
Air Eliminator/Strainer	N/A
Wall Mount Adaptor	MXA-06-WM
3 point cal check	MXA-3ptcal
Pressure test	MXA- PRESSTEST

PULSER OUTPUT

TYPE: A



Standard

The Standard Pulser Module provides 1x Reed and 1 x Hall Effect (NPN open collector) switch outputs. The module is supplied with 1 mtr of cable.

Construction

Material	Polypropylene	
IP Rating	67	
Mounting	Meter Mount	
Connection	5/8-18 UNF	
Dimensions	Height (mm)	Diameter (mm)
	17 mm	74 mm

Technical Specifications

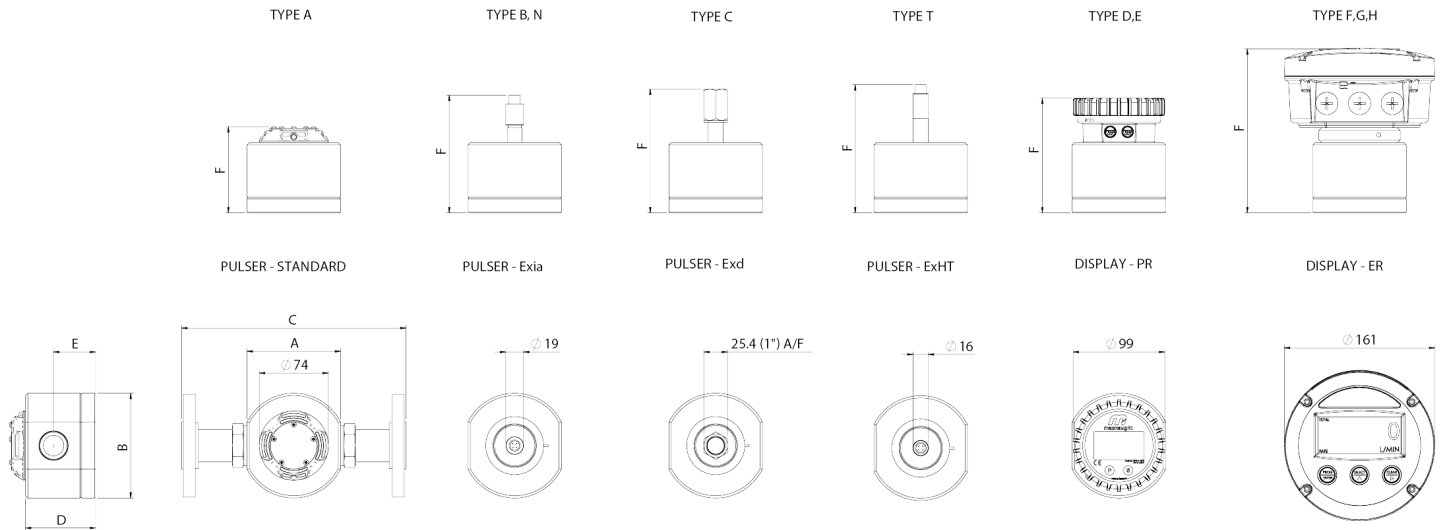
Switch Type	Pulse Output- Reed/Hall Effect		
Approvals	No approvals		
	-	-	
Power Supply	Voltage (VDC)	Current (mA)	
	Reed	30 VDC	500 mA
	Hall	4.5 - 24 VDC	7.5mA

Service Kits

Part Number	Description
MXD-AS	MX Standard Pulser

Dimensions

MX09S-1SA



METER SIZE	PORT SIZE	METER AND FLANGE DIMENSIONS					PULSAR AND DISPLAY HEIGHT - F					
		A	B	C	D	E	TYPE A	TYPE B, N	TYPE C	TYPE T	TYPE D,E	TYPE F,G,H
MX06	1/4"	71	74	N/A	42	25	59	93	100	104	90	143
MX09	1/4"	71	74	N/A	42	24	59	93	100	104	90	143
MX12	1/2"	81	87	N/A	49	28	66	100	107	111	97	150
MX19	3/4"	100	112	N/A	62	37	79	113	120	124	110	163
MX25	1"	100	112	240	75	45	92	126	133	137	123	176
MX40	1 1/2"	120	137	240	103	61	120	154	161	165	151	204
MX50	2"	140	163	264	124	72	141	175	182	186	172	225