

## CDX Online Residual Chlorine Monitor

# Reliable Chlorine Monitoring

## Detailed Specifications

### Instrument Overview

HF scientific developed the **CDX OnLine Residual Chlorine Monitor** specifically for drinking water, wastewater, industrial and marine residual chlorine monitoring applications.

The **CDX OnLine Residual Chlorine Monitor** is manufactured using microprocessor based technology making it the most reliable and cost efficient instrument for monitoring residual chlorine.

Colorimetric DPD chemistry technology provides a proven, stable and reliable reading along with the most economical method available.



Changing the  
Sample Cuvette

### Features

#### Colorimetric DPD Chemistry

Proven reliable and economical, colorimetric DPD (N,N-diethyl-p-phenylenediamine) chemistry is the most accurate method for measuring free or total residual chlorine.

#### Rugged Enclosure

The **CDX**'s small footprint and corrosion resistant NEMA 4X (IP66) enclosure allows for a simple installation that will fit in almost any space.

#### Optical Design

New optical design uses similar optics to the hand held portable Chlorine Photometer. The new design increases accuracy and allows for comparable and precise readings between the OnLine Monitor and hand held portable instruments.

#### Removeable Sample Cuvette

A removeable sample cuvette allows for simple cleaning and maintenance. Viewable sample chamber allows a clear view of the sample cuvette while the instrument is sampling.

#### Cycle Times

User selectable cycle times allow the user to set the cycle time from 110 seconds up to 10 minutes (optional 60 seconds to 10 minutes). Low volume reagent and sample chamber allow for affordable reagent costs and decreases water consumption.

#### Certification

Listed or Certified to CE, UL, CSA (ETL,ETLc)

# Features: **CLX** Online Residual Chlorine Monitor

## Sample Specifications

The Residual Chlorine Monitor shall be able to measure free or total chlorine using the DPD colorimetric method. The Chlorine Monitor shall have a measurement range of 0-10 mg/l. The Chlorine Monitor shall include the power supply, sensor and display in one NEMA 4X (IP66) corrosion resistant enclosure. The Chlorine Monitor shall have readings consistent with laboratory and portable Chlorine Photometers. The Chlorine Monitor shall have standard 4-20 mA outputs and RS-485 with Modbus Protocol. The 4-20 mA output shall be standard or reversible. The Chlorine Analyzer shall have a removable sample cuvette. The sensor shall have a clear view to the optical chamber allowing viewing of the sample and reaction of the reagents, before, during and after a reading. Accuracy shall be  $\pm 5\%$  with a resolution of 0.01 mg/l for the range of 0-6 mg/l and  $\pm 10\%$  with a resolution of 0.01 mg/l for the range of 6-10 mg/l. The Chlorine Monitor shall have a user selectable cycle time between 110 seconds and 10 minutes (optional 60 seconds to 10 minutes). The Chlorine Monitor shall be capable of 30 days of unattended operation. The Chlorine Monitor shall take a zero reading before each reading to compensate for color in the sample. The Chlorine Monitor shall have microprocessor based technology. The Monitor shall have two user selectable alarm relays.



**Changing the Reagents**

Range:	0 - 10 mg/l.
Cycle Time:	User Selectable: 110 seconds to 10 minutes. (optional 60 seconds to 10 minutes)
Resolution:	0.01 mg/l
Accuracy:	0 - 6 mg/l - $\pm 5\%$ or 0.03 mg/l of $Cl_2$ whichever is greater. 6 - 10 mg/l - $\pm 10\%$
Method:	USEPA accepted DPD method of analysis for measuring Free or Total Residual Chlorine
Standard Outputs:	4-20 mA and RS-485 with Modbus.
User Alarms:	2 User Selectable Alarms for Sample Concentration (Form C 240VAC 2A)
Operating Temperature:	0° to 40°C (32° to 104°F)
Input Pressure:	5 - 150psi
Enclosure:	ABS Plastic, NEMA 4X, IP66
Power:	100 - 240 Volt Auto Switchable 47-63hz
Certifications:	CE, UL, CSA, (ETL, ETLc)
Shipping Dimensions:	16" x 16" x 10" (41cm x 41cm x 26cm)
Shipping Weight	8lbs (3.6kg)

*Specifications subject to change without notice.*

## Ordering Information

### Catalog No. Description

20040 **CLX** OnLine Residual Chlorine Monitor for Free or Total Chlorine  
 Complete with operating manual. Reagents must be purchased separately.  
 If the application combines high humidity with cold sample water, purchase a #09944 desiccant cartridge separately.

### Accessories

09950	Replacement tubing/cuvette kit
25018S	Flow through cuvette CLX
28316	Low pressure adapter

### Catalog No.

Kit Reagents	J.A.W.*	Dry**	Liquid
Free Chlorine 30 day supply	09951	09947X	09947
Total Chlorine 30 day supply	09952	09948X	09948
Free Chlorine 60 day supply	09953	N/A	09935
Total Chlorine 60 day supply	09954	N/A	09936
Free Chlorine 12 month supply	09955	09937X	09937
Total Chlorine 12 month supply	09956	09938X	09938



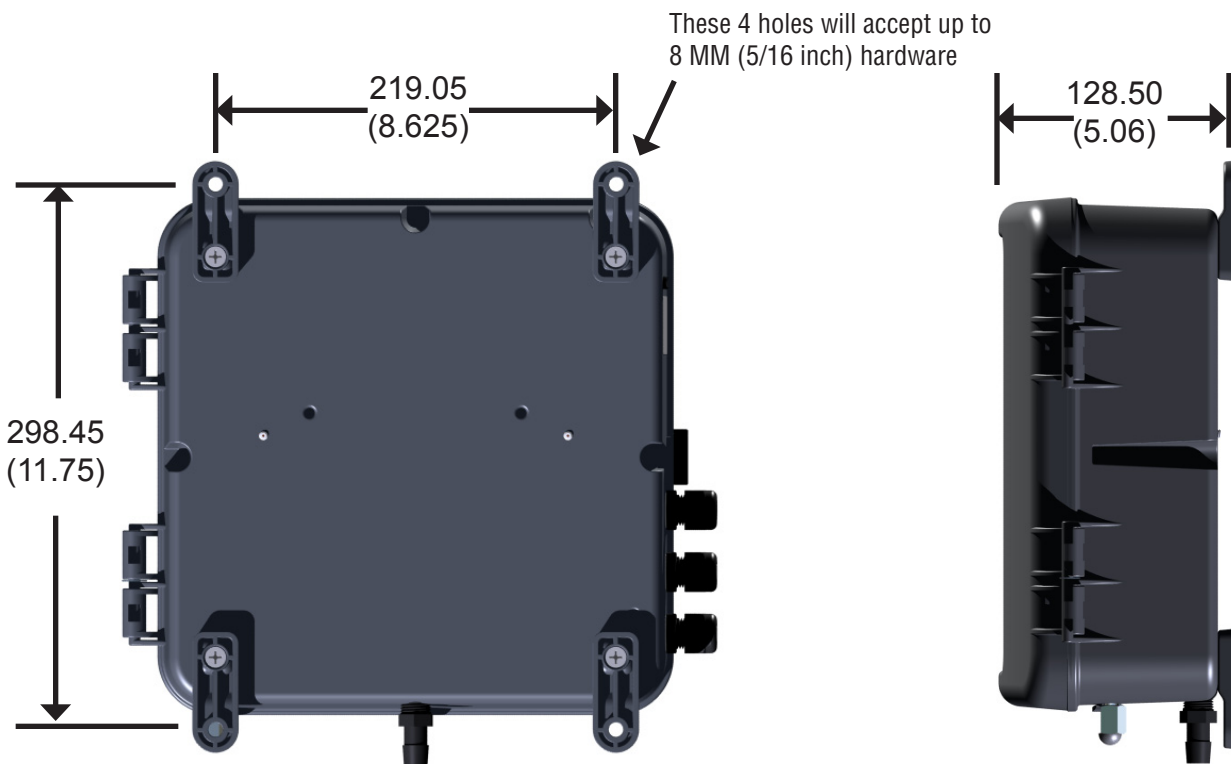
\*Just Add Water \*\*User must add Sulfuric Acid, Sodium Hydroxide and supplied DPD reagent before use

# Dimensions: Online Residual Chlorine Monitor

All Dimensions are in millimeters (inches).



Front View

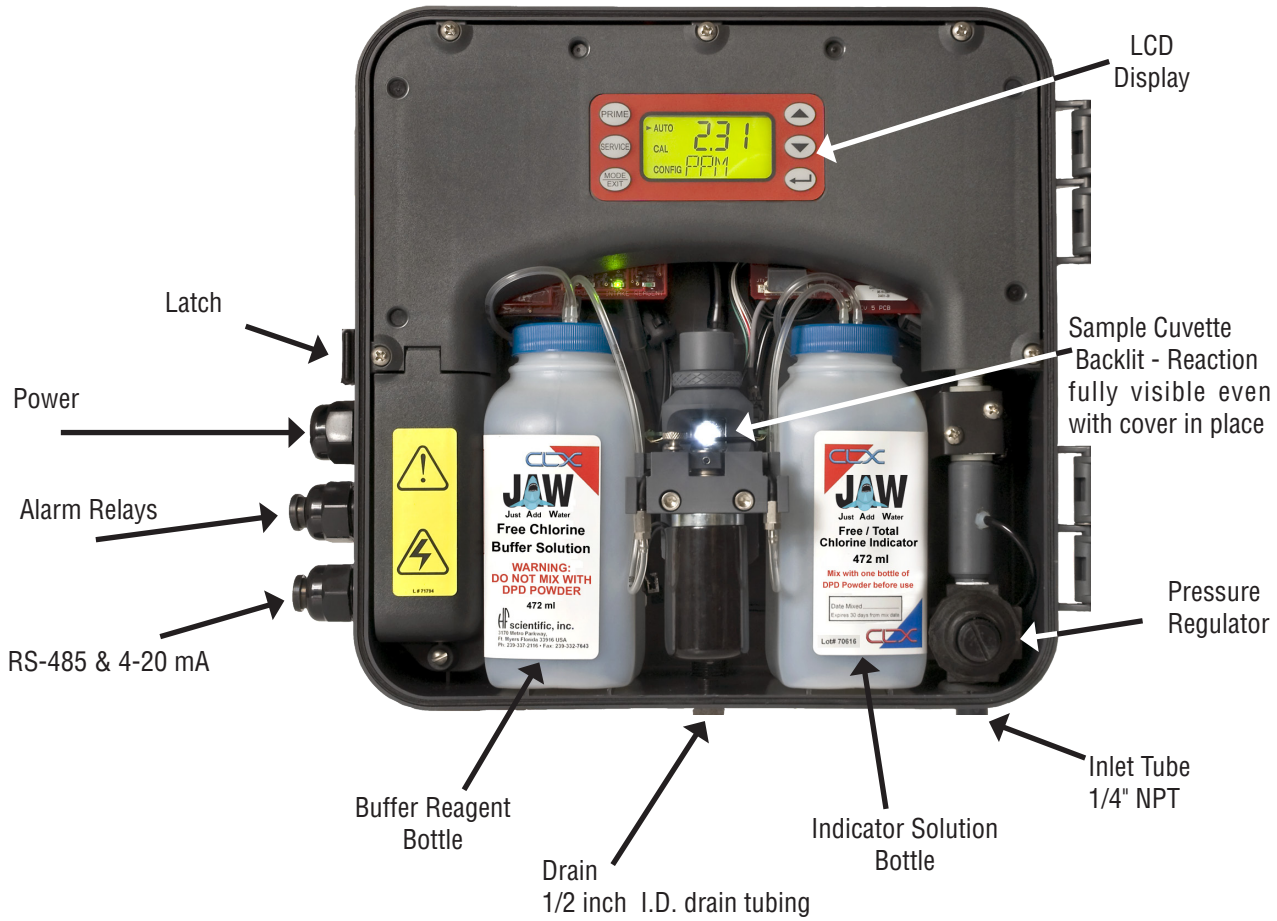


Rear View

Side View

Details:

# CDX Online Residual Chlorine Monitor



CDX with cover removed