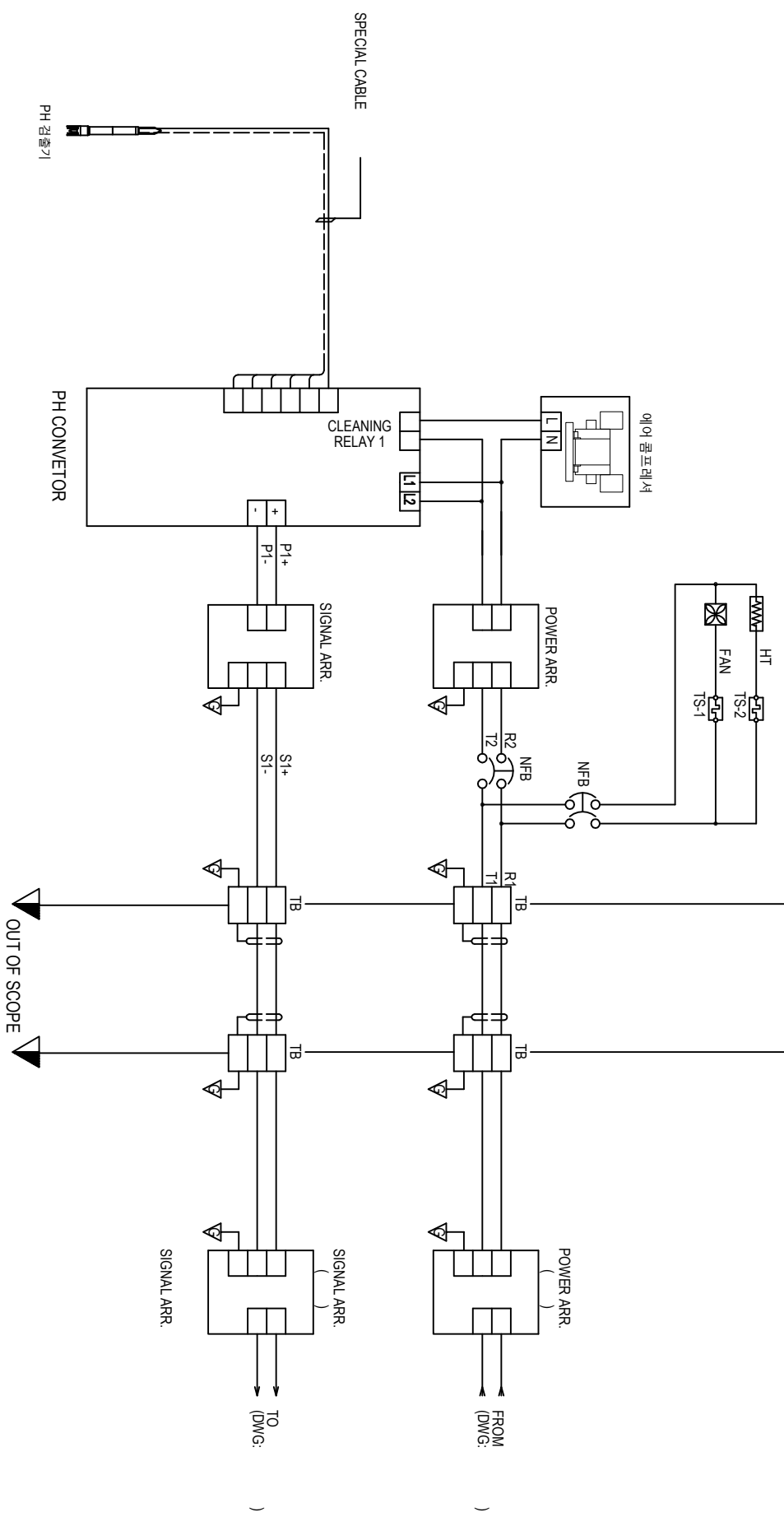



LOCAL LOCAL PANEL FIELD PROCESS CONTROL STATION(CS-3)



OUT OF SCOPE

NO.	DATE	REVISION	CHANGED BY	APPROVED



코리아하이텍
KOREA HITEC

PROJECT	하수처리장 수질계측기기 도면
TITLE	PH 계측기기 P&ID 결선도

DRAWN BY	DATE	SCALE
CHECKED BY	2018. 4.	1:1
APPROVED BY		
PROJECT NO.	11110-000	
DWG. NO.		