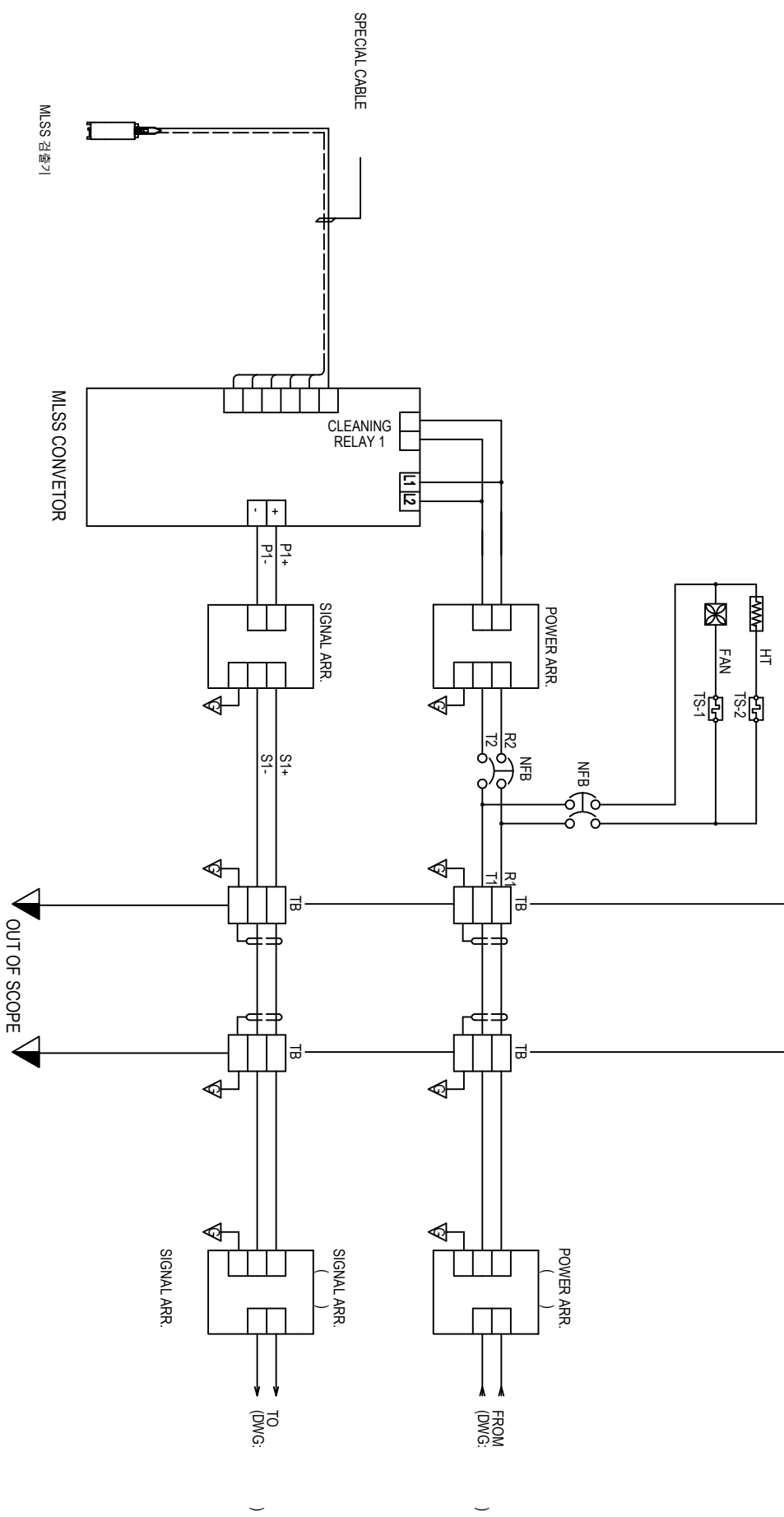


LOCAL LOCAL PANEL FIELD PROCESS CONTROL STATION(CS-3)



NO.	DATE	REVISED	CHANGED	APPROVED



코리아하이텍
KOREA HITEC

PROJECT	하수처리장 수질계측기기 도면
TITLE	MLSS 계측기기 P&ID 결선도

DRAWN BY	DATE	SCALE
CHECKED BY	2010. 4	1:1
APPROVED BY		
PROJECT NO.		
DWG. NO.		
DATE		