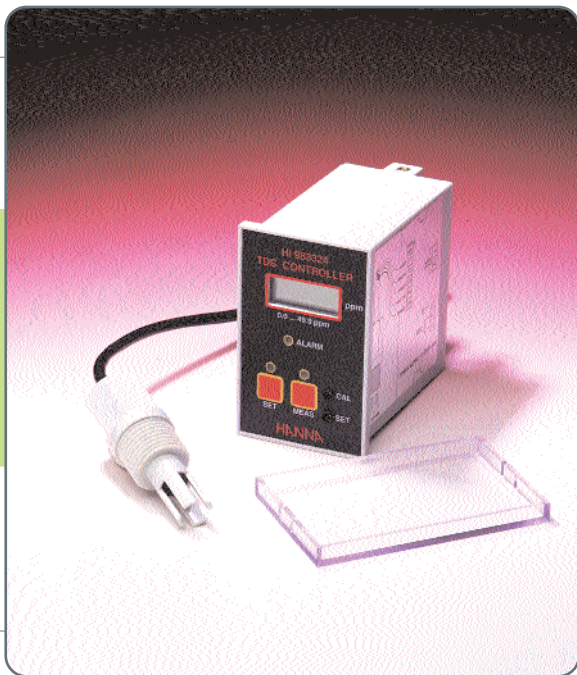


## Panel Mounted Mini TDS Controllers



## Features ...

The **HI 983324-0** and **HI 983324-1** are TDS indicators and controllers with a relay output designed for simplicity of use in a wide range of industrial applications.

The models are panel mounted with membrane keypads on the front panel and an easy-to-read LCD display. LED indicators on the front panel identify whether the controller is in set or reading mode and if the alarm is active.

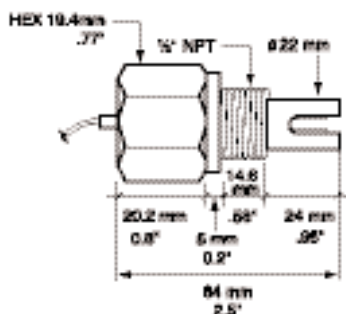
The meters compensate for temperature variations automatically and the probe is easy to clean and requires little maintenance.

Measurements are highly accurate and the meters can be calibrated at one point. Power supply, wiring and selection are made via plug-in terminal blocks on the rear panel.

## ... and Benefits

Specifications	HI 983324-0	HI 983324-1
Range		0.0 to 49.9 ppm
Resolution		0.1 ppm
Accuracy (@20°C)		±2% full scale
Setpoint		Adjustable from 0 to 49.0 ppm
Alarm		LED on and alarm contact is closed when TDS value is higher than setpoint
Probe		<b>HI 7634-00</b> EC/TDS probe (not included)
Temperature Compensation		Automatic from 5 to 50°C (41 to 122°F) with $\beta=2\%$
TDS/Cond. Conversion Ratio		0.5
Calibration		Manual with one trimmer. Recommended solution: HI 7033 84 $\mu$ S/cm
Power Supply	External 12/24 VDC	110/220V; 50/60 Hz
Environment		0 to 50°C (32 to 122°F), RH 95% non-condensing
Panel Cutout		0 to 50°C (32 to 122°F); RH 95%
Dimensions		79 x 49 x 95 mm (3.1 x 1.9 x 3.8")
Weight	140 g (4.96 oz.)	250 g (8.85 oz.)

HI 7634-00 Dimensions



## Ordering Information

**HI 983324-0** is supplied with 12 VDC adapter, mounting brackets and instruction manual.

**HI 983324-1** is supplied with mounting brackets and instruction manual.

## Accessories

<b>HI 70033P</b>	Calibration solution, 20 mL
<b>HI 7033M</b>	Calibration solution, 230 mL
<b>HI 7033L</b>	Calibration solution, 460 mL
<b>HI 7061M</b>	Electrode cleaning solution, 230 mL
<b>HI 710005</b>	12 VDC power adapter
<b>HI 731326</b>	Calibration screwdriver (20 pcs)
<b>HI 7634-00</b>	TDS/EC probe with 2 m (6.6') cable