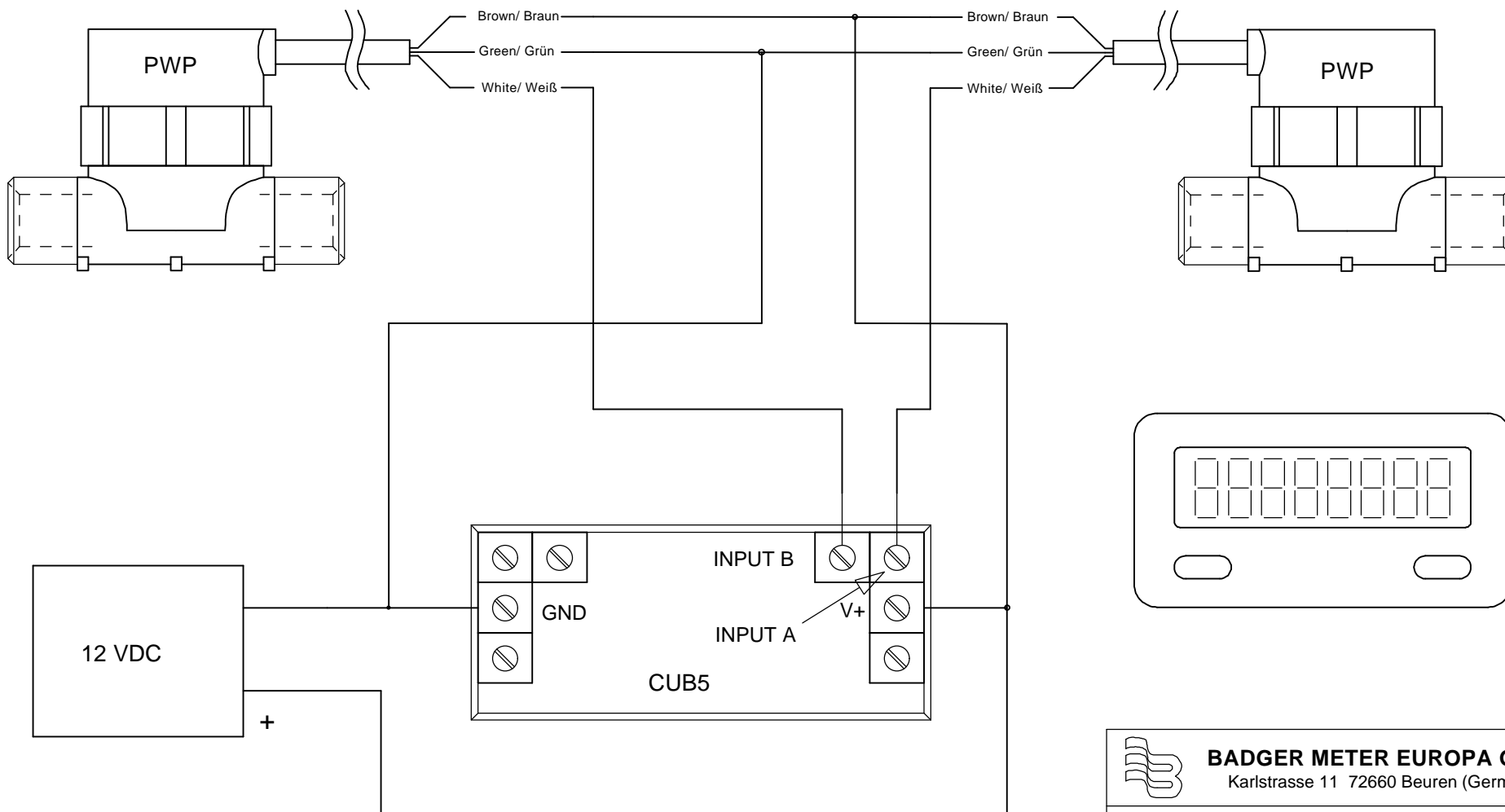



Eingang A = addierend / Eingang B = subtrahierend
 Input A = adding / Input B = subtracting



 BADGER METER EUROPA GmbH Karlstrasse 11 72660 Beuren (Germany)		
DRAWING NAME Maßzeichnung / Dimensional Drawing PWP + CUB5		
DRAWN: L.K	DATE: 08.06.98	ISSUE 0.1
APPROVED: -/-	DWG.No: INDW 050	