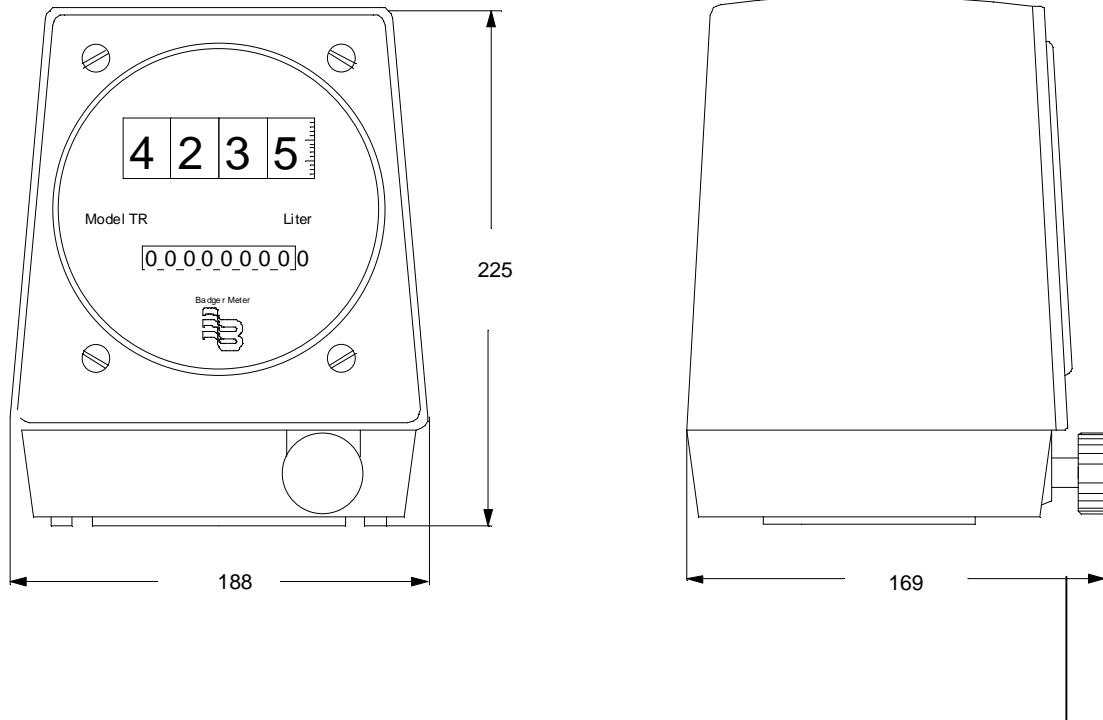




Badger Meter Europa

Mechanical register "TR"



The "TR" register is a mechanical register, immune to electrical interference and power outages, designed for use with Badger Meter OP, Turbo and disc meters. It has an 8-digit non-resettable and a large, four-digit resettable mechanical totalizer.

The complete assembly is housed in a sealed, glass-filled, polycarbonate housing (NEMA 4X). The absence of electrical components allow its use in hazardous locations.

- Easy to view four-digit, resettable totalizer
- 8-digit totalizer
- Easy calibration
- Corrosion resistant and waterproof
- Choice of measurement units

TR-engl.doc 02/01

Meter type	Pointer sweep in liters	Dial capacity in liters		Smallest readable quantity in liters
		4-digit	8-digit	
M25	10	9999	99999999	0,2
M35	10	9999	99999999	0,2
M40	10	9999	99999999	0,2
M70	10	9999	99999999	0,2
M120	100	99990	999999990	2
M170	100	99990	999999990	2
OP-25	10	9999	99999999	0,2
OP-50	10	9999	99999999	0,2
TM-50	100	99990	999999990	2
TM-80	100	99990	999999990	2
TM-100	100	99990	999999990	2
TM-150	1000	999900	9999999900	20

Technical data

Housing	:	Glass-filled polycarbonate, NEMA 4X
Bezel	:	Clear polycarbonate
Gears	:	Brass or nylon
Max. fluid temperature	:	120°C
Dial size	:	146 mm
Weight	:	2,4 kg
Batch counter	:	Four-digit, resettable
Inventory totalizer	:	Eight-digit, non resettable