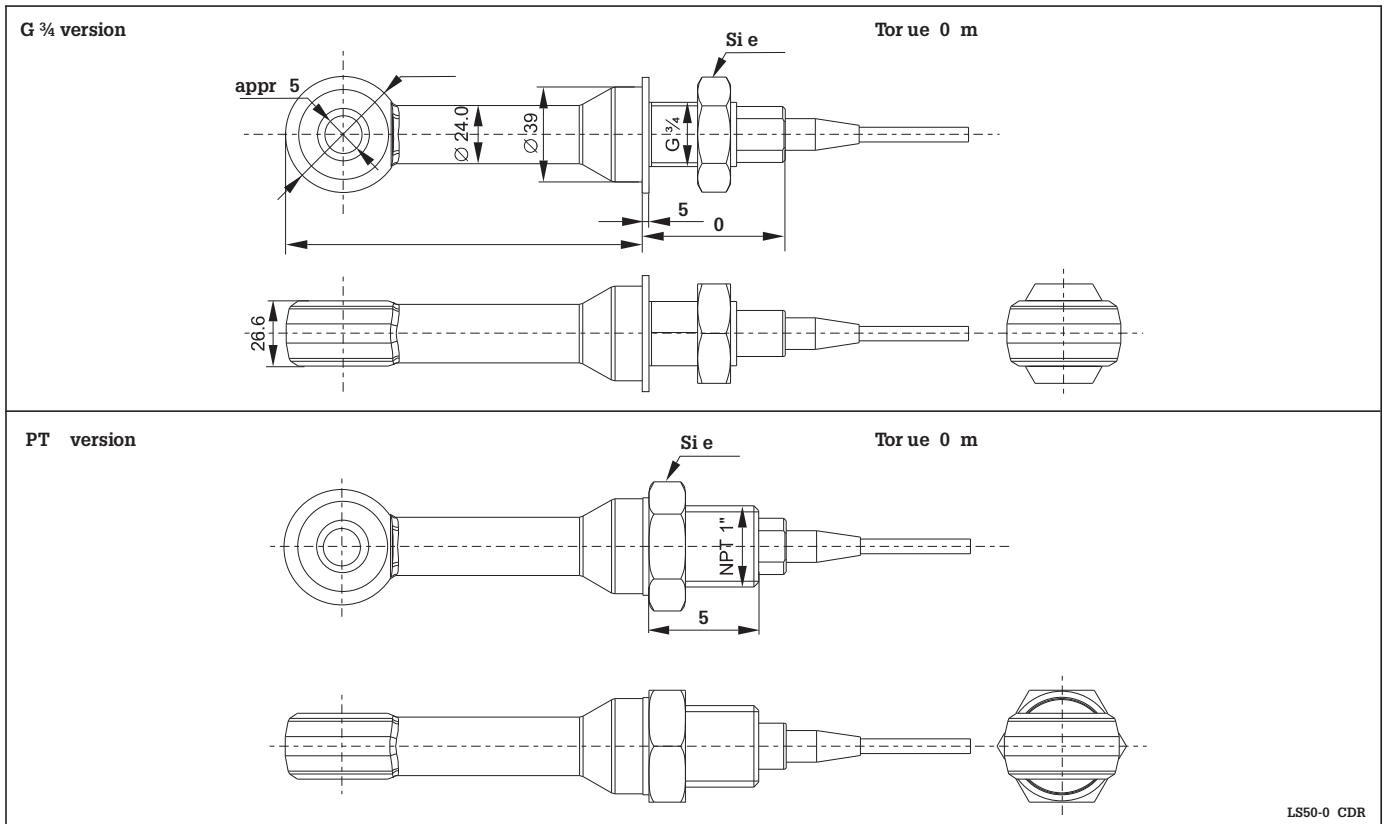


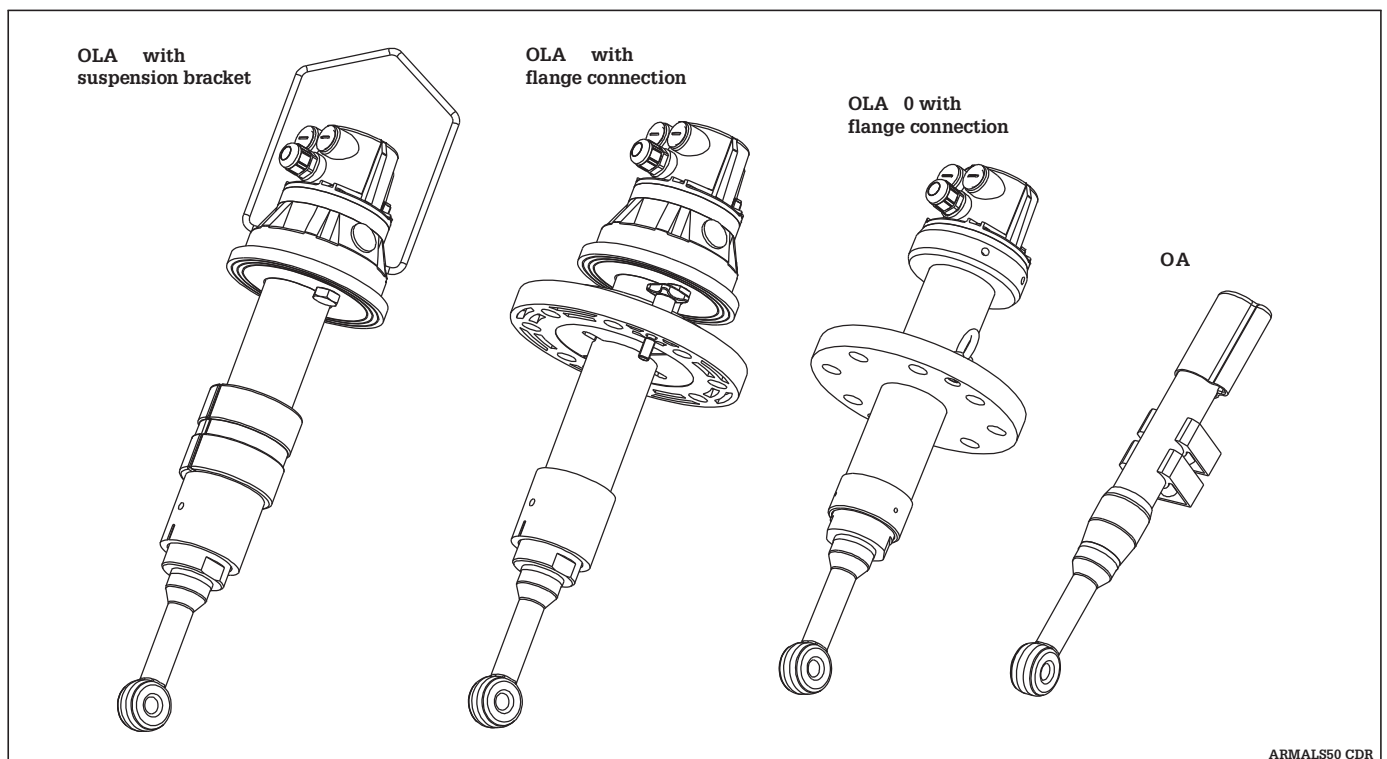
# Dimensions



LS50-0 CDR

Dimensions: versions with G 3/4 thread top and PT thread bottom

## Mounting of sensor with assembly and G 3/4 version



ARMALS50 CDR

Assembly mounting of sensor G 3/4 version