

8-201-PFA-10

Inductive Conductivity Sensor



Annular non-electrode design, polarization-free

Made of PFA, resistant to highly corrosive chemicals

Wide measuring range and high resolution

Applied to online conductivity measurement of acids, alkali, or salt solutions

Main application: Chemical Process Industry(CPI), Pulp and Paper Industry and Wastewater Monitoring

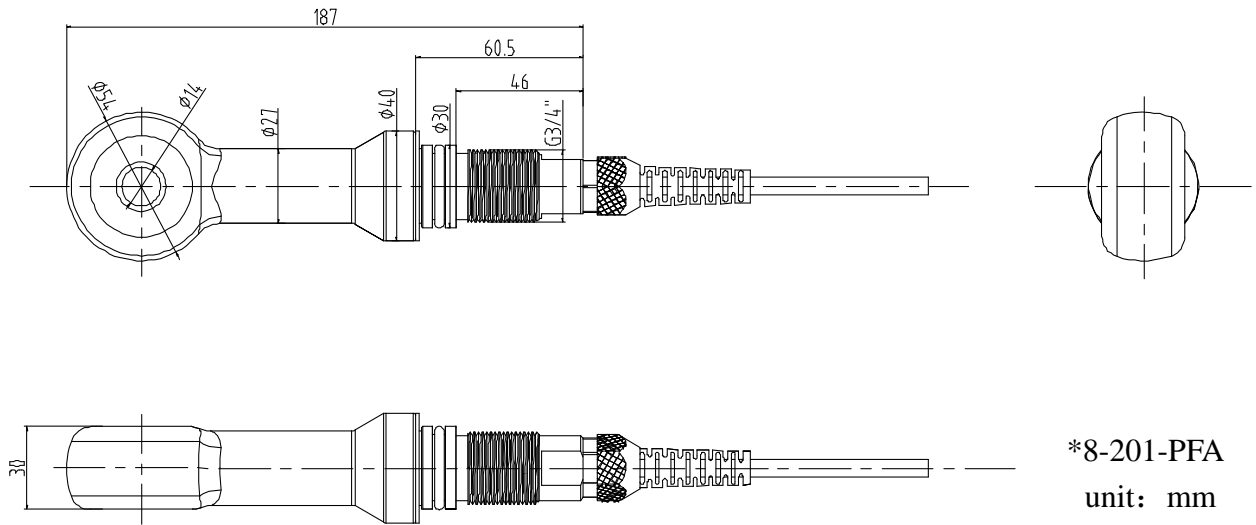
Sensor Specifications

Model	8-201-PFA-10
Cell constant	≈ 2.7
Measuring range	0 – 2000 mS/cm
Temperature compensation	PT1000
Ambient temperature	-20°C- 130°C
Temperature Response time	10 min
Maximum pressure	16 bar
Minimum immersive depth	54 mm
Fixed approach	G 3/4"
Fixed signal cable	10 M

Sensor Materials

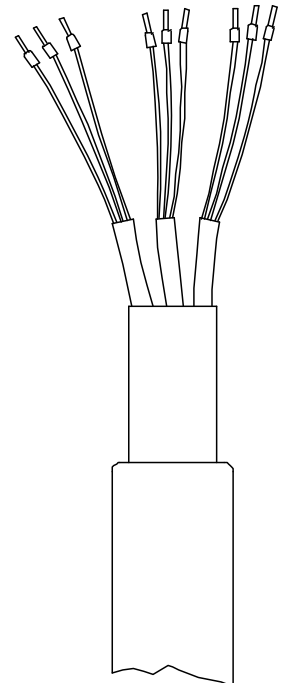
Sensor	Polyfluoroalkoxy (PFA)
Pin	SUS316L
Sealing loop	PTPE
O-ring	FEP + Viton
Nut	SUS316L

Sensor Dimensions



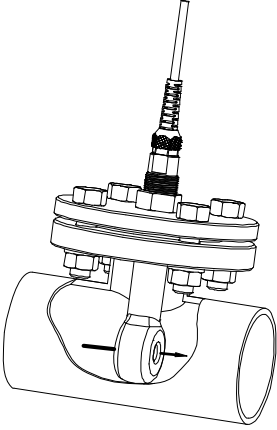
8-201-PFA-10 Wiring Illustration

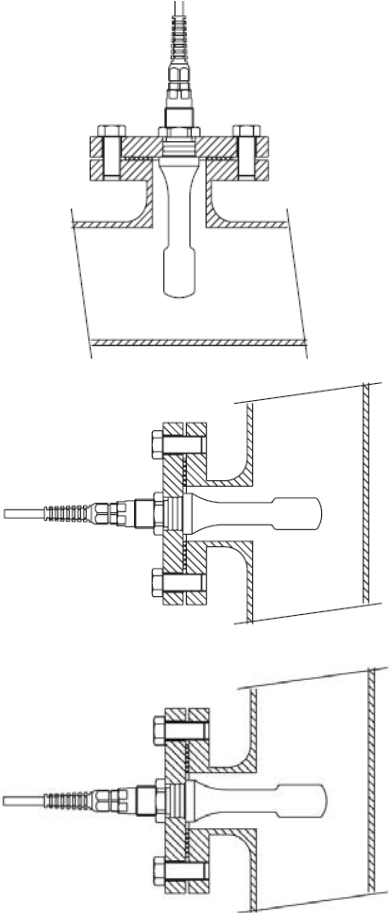
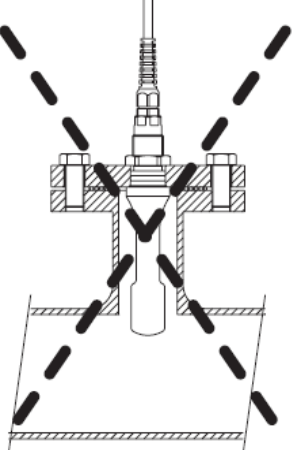
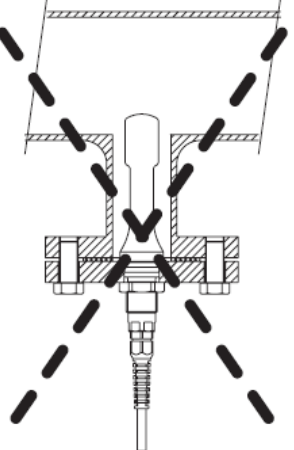
Description	Heat-shrink tube color	Wire color	Wire description
Drive	Red	Red	Drive — H
		Brown	Drive — L
		Clear	Drive SHIELD
Receive	Black	Orange	Receive— H
		Black	Receive— L
		Clear	Receive SHIELD
Temp.	Green	Yellow	PT1K RTD-A
		Green	PT1K RTD-B
		Clear	PT1K RTD-B

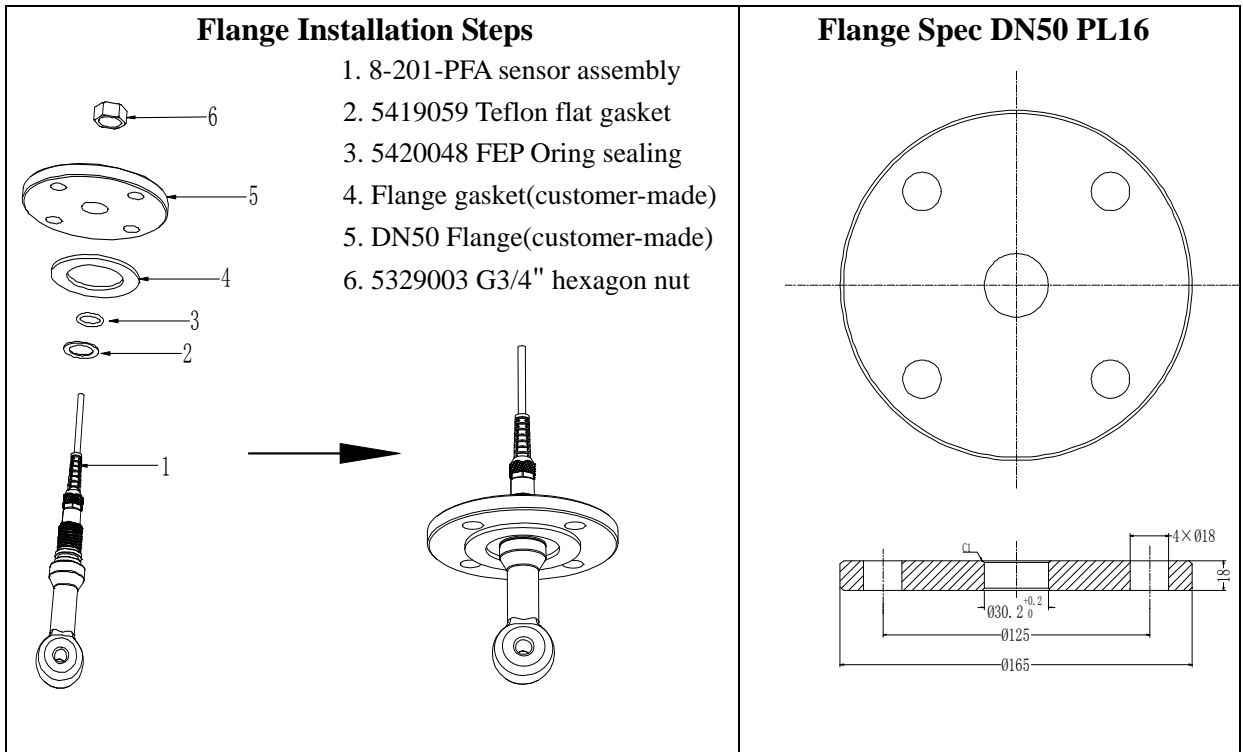


Mounting of sensor

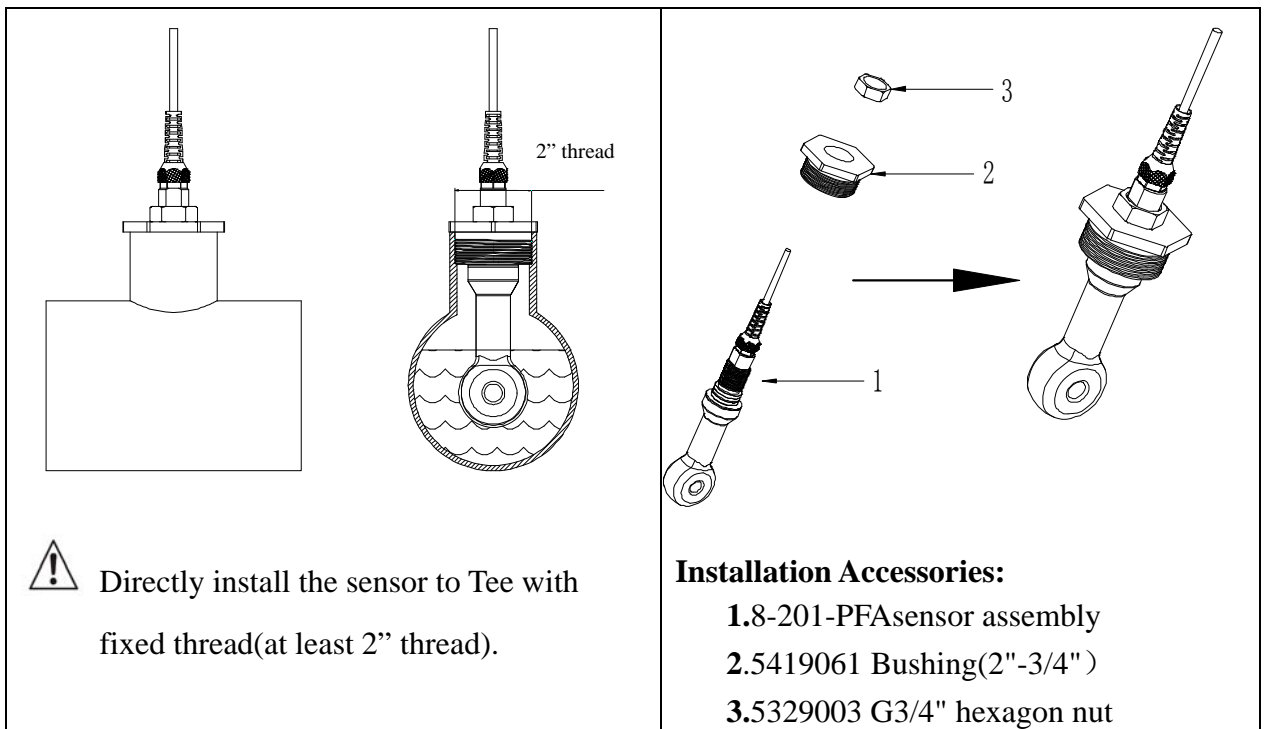
1. Flange Installation

		<p>!</p> <ol style="list-style-type: none"> 1. Keep the centric hole of the sensor in parallel with the direction of water flow, and then water flows through the hole. It suits for pipeline installation (See left diagram). 2. The sensor should be immersed at least the depth of 54mm, and the distance T to the shell of pipe should be over 30mm. (pipe diameter should be 114mm above) (see left diagram 2). 3. Flange spec: DN50 above (customer-made spec according to actual situation in the field)
---	--	---

Recommended Installation	Not recommended Installation	
	<p>Insufficient immersion</p> 	<p>Solid impurities sediments influence measurement</p> 

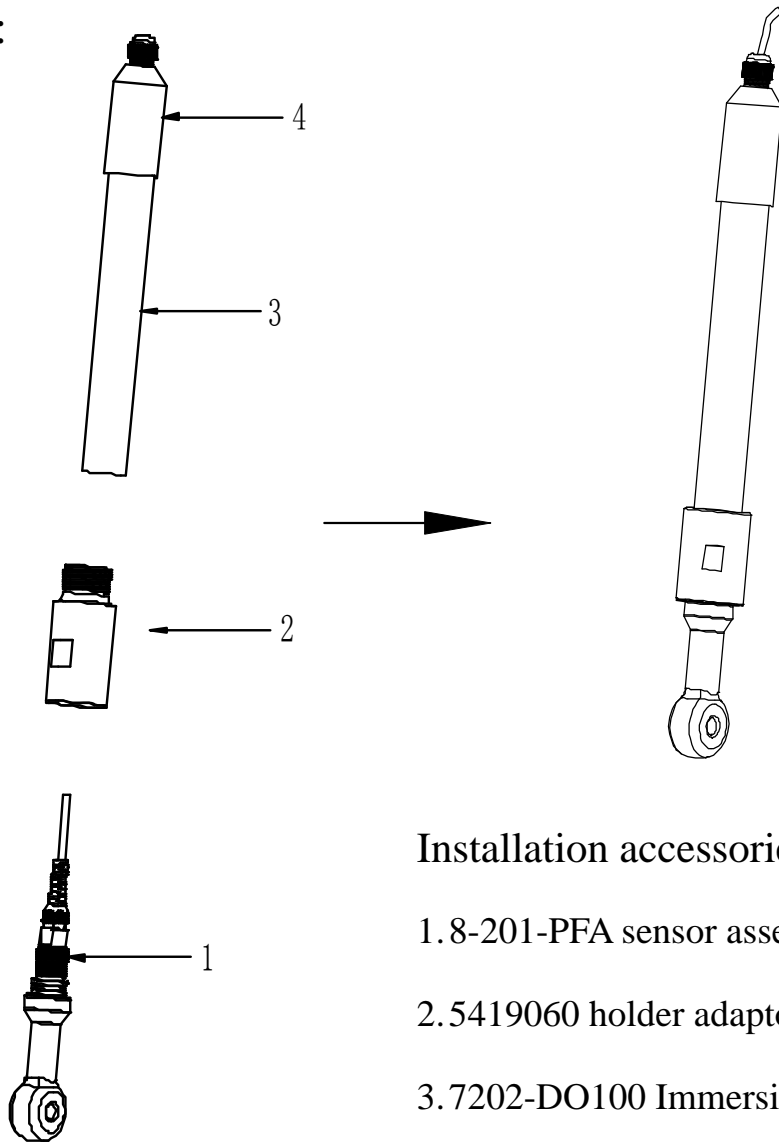


2. Tee Installation



3. Immersion installation

Steps:



Installation accessories:

1. 8-201-PFA sensor assembly

2. 5419060 holder adaptor(1"-3/4")

3. 7202-DO100 Immersive holder 1M

4. 8-26 Waterproof Cap