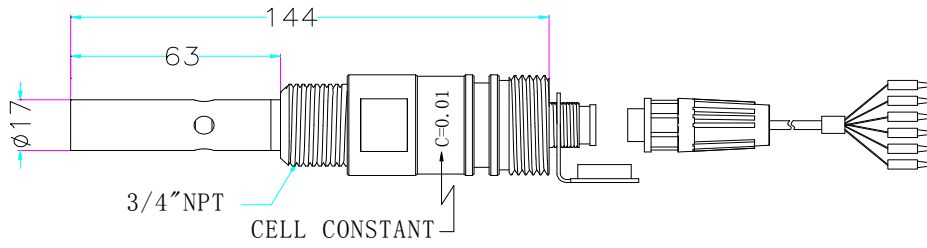
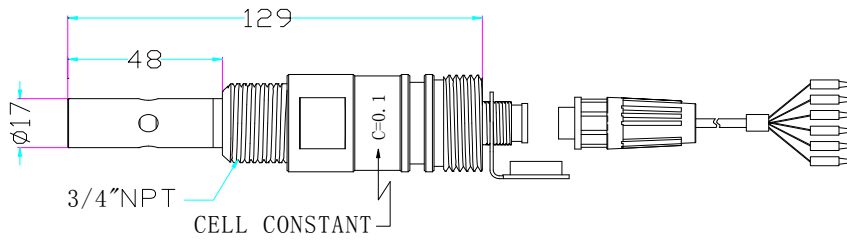


## 9. Installation of cells

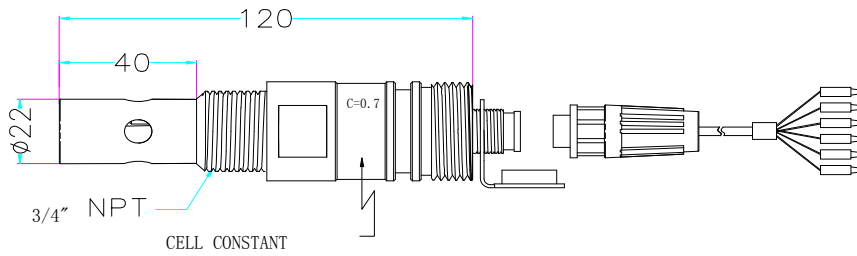
### 9.1 Appearance of cells



8-221/ 8-222 cell dimensions

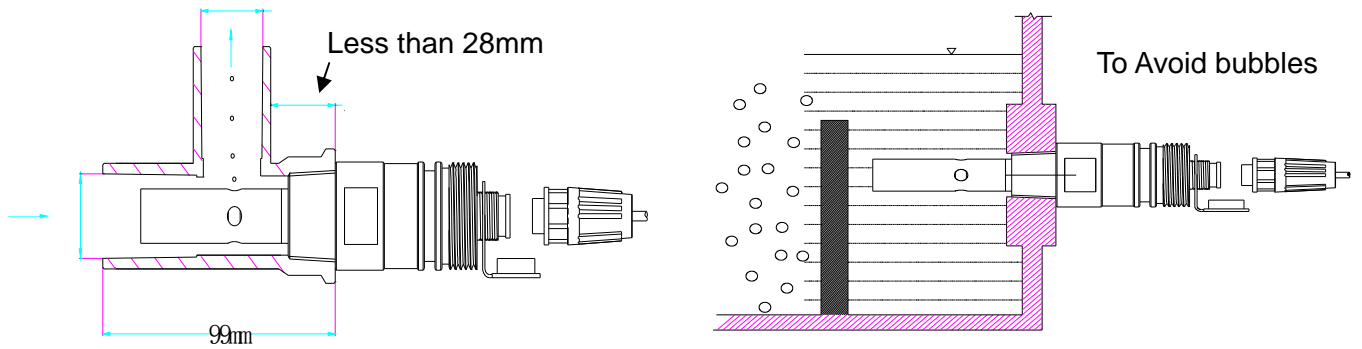


8-223 cell dimensions



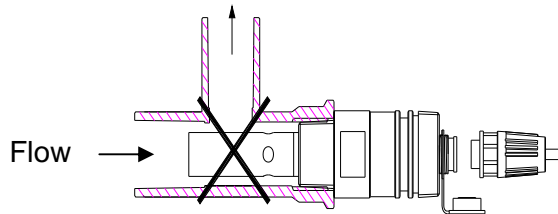
8-241 / 8-241-01 / 8-242 cell dimensions

## 9.2 Correct installation

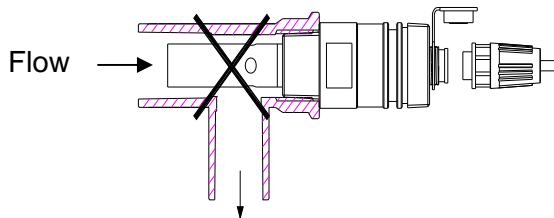


## 9.3 Incorrect installation

9.3.1 Insufficient immersion: The installation is easy to result in stagnant water inside the cell and thus lead to measurement error.



9.3.2 Insufficient water flow: The installation is prone to error measurement due to insufficient water flow.



9.3.3 Insufficient immersion: The installation is easy to result in stagnant water inside the cell and thus lead to measurement error.

