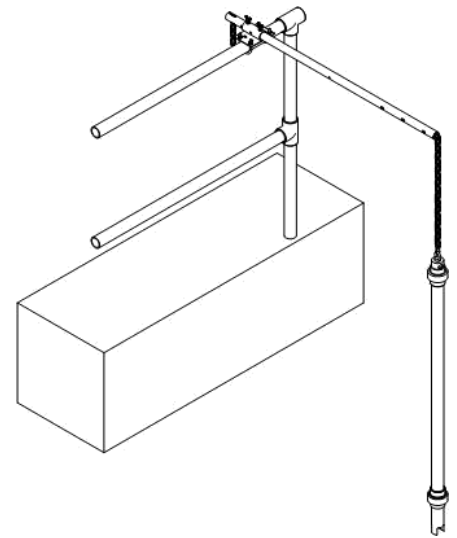


## DIGISENS RANGE

### MOUNTING ACCESSORIES

To optimize your installation

- Protective and mounting system for sensors in immersion conditions
- Adaptation for In-pipe installation
- Resistant and adapted material to the constraints of the ground.

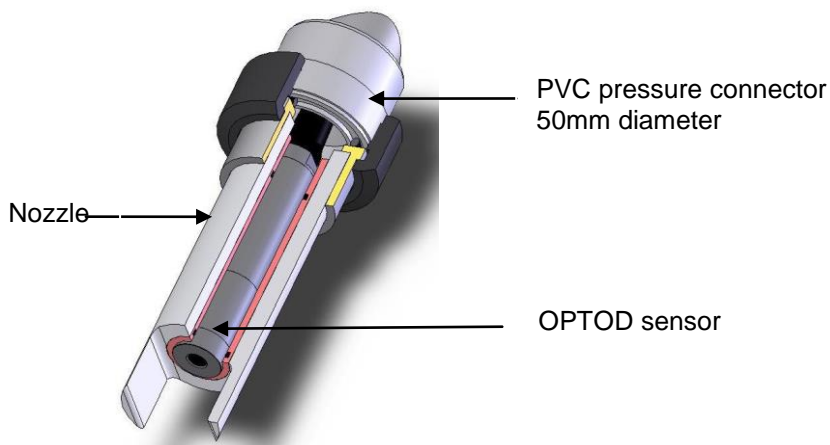


#### ► Tank and open channel mounting accessories

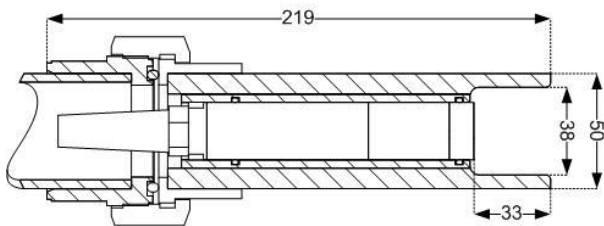
The poles mounting system has been designed to the DIGISENS range sensors and to optimize the installation in immersion conditions for application in aeration tank, open channel, bassin, ..

#### Nozzles : protective mechanical part and support of the sensor

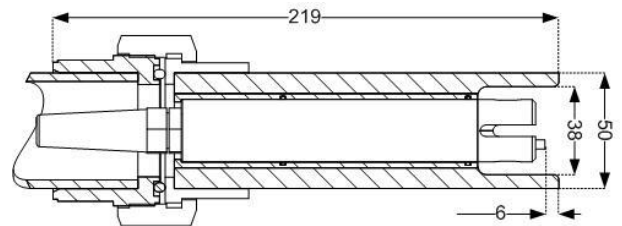
The accessory, a kind of « Nozzle », is adapted to the mechanics of each sensor and enables an optimized protection in immersion conditions.



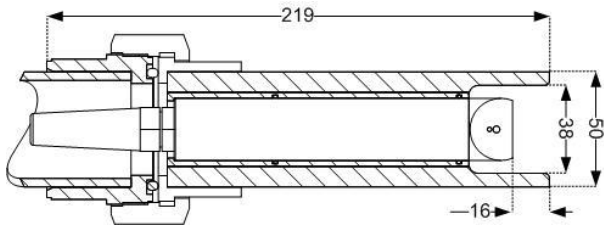
Every nozzle is delivered with a PVC pressure connector you can adapt with a 50 mm diameter pole.



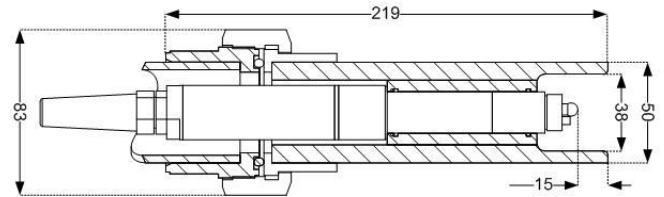
Nozzle for OPTOD sensor (**PF-ACC-C-00221**)



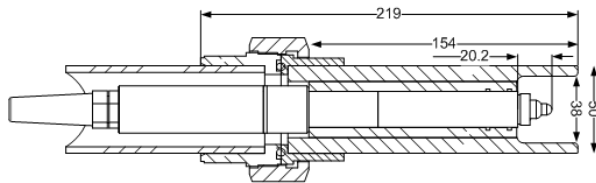
Nozzle for C4E sensor (**PF-ACC-C-00223**)



Nozzle for NTU sensor (**PF-ACC-C-00223**)

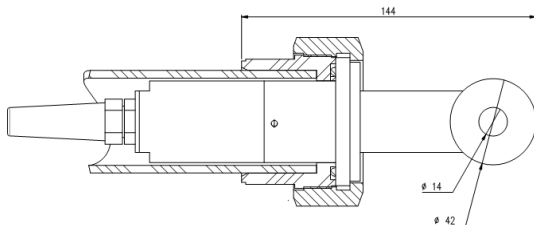


Nozzle for PHEHT sensor (**PF-ACC-C-00222**)

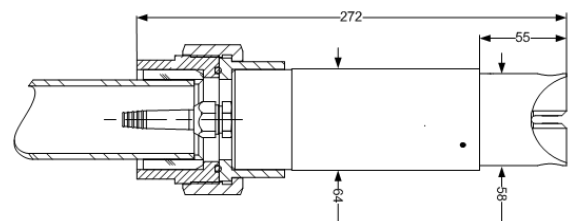


Nozzle for EHAN sensor (**PF-ACC-C-00412**)

### Assembly with join Union



Assembly sensor CTZN on perch  
With join union **ME-PCS-S-00012**



Assembly sensor MES5 or VB5 on perch  
With join unions **ME-PCS-S-00011** and **ME-PCS-S-00017**

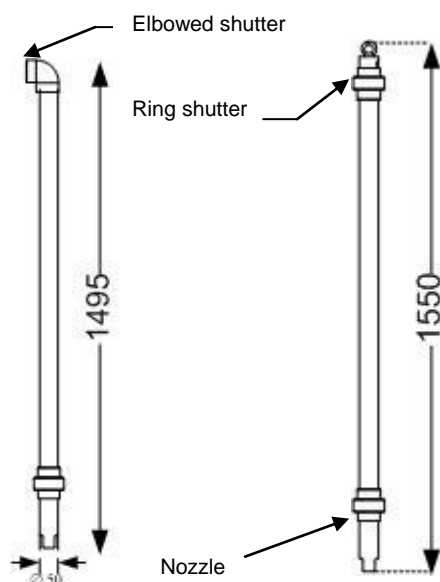
### Poles: for the installation of sensors in basin

The poles made in PVC are used as a support and mechanical protection for the DIGISENS sensors. There are several versions of different sizes (short and long poles), right or elbowed which are equipped with a kit of waterproofness (elbowed shutter).

#### Short poles :

The short pole is available in 2 versions :

- **version with elbowed shutter.** The nozzle of support is included in the offer.



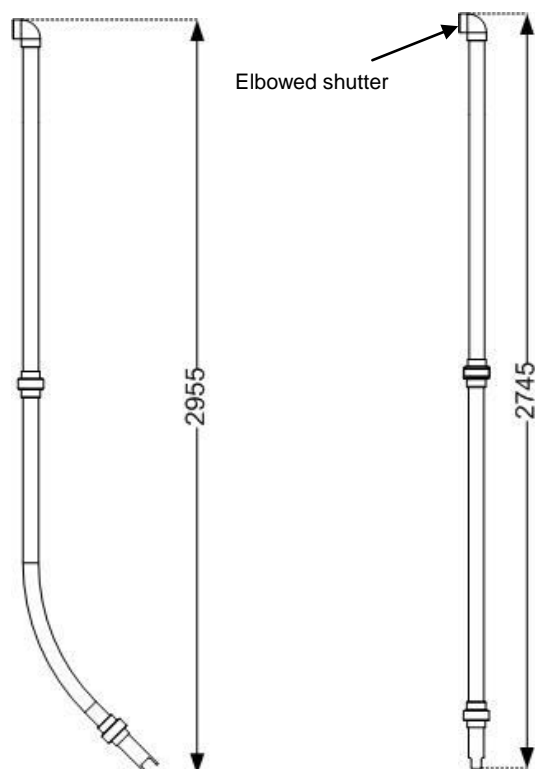
|                |   |
|----------------|---|
| PF-ACC-C-00266 | STRAIGHT SHORT POLE FOR OPTOD SENSOR (1495 mm, ELBOWED SHUTTER)   |
| PF-ACC-C-00267 | STRAIGHT SHORT POLE FOR PHEHT SENSOR (1495 mm, ELBOWED SHUTTER)   |
| PF-ACC-C-00268 | STRAIGHT SHORT POLE FOR C4E/NTU SENSOR (1495 mm, ELBOWED SHUTTER) |

- **version with shutter for mounting with chain** The nozzle of support is included in the offer.

|                |  |
|----------------|--|
| PF-ACC-C-00269 | STRAIGHT SHORT POLE FOR OPTOD SENSOR (1550 mm, RING SHUTTER)   |
| PF-ACC-C-00270 | STRAIGHT SHORT POLE FOR PHEHT SENSOR (1550 mm, RING SHUTTER)   |
| PF-ACC-C-00271 | STRAIGHT SHORT POLE FOR C4E/NTU SENSOR (1550 mm, RING SHUTTER) |

### Long poles :

The long poles are available in elbow version, for installations in aeration basin, and straight, for applications in open channel. Every pole is equipped with an elbowed shutter and with waterproofness joints. The lower part includes a nozzle which is adapted to the sensor what assures its mechanical support.



#### - Elbowed pole with elbowed shutter

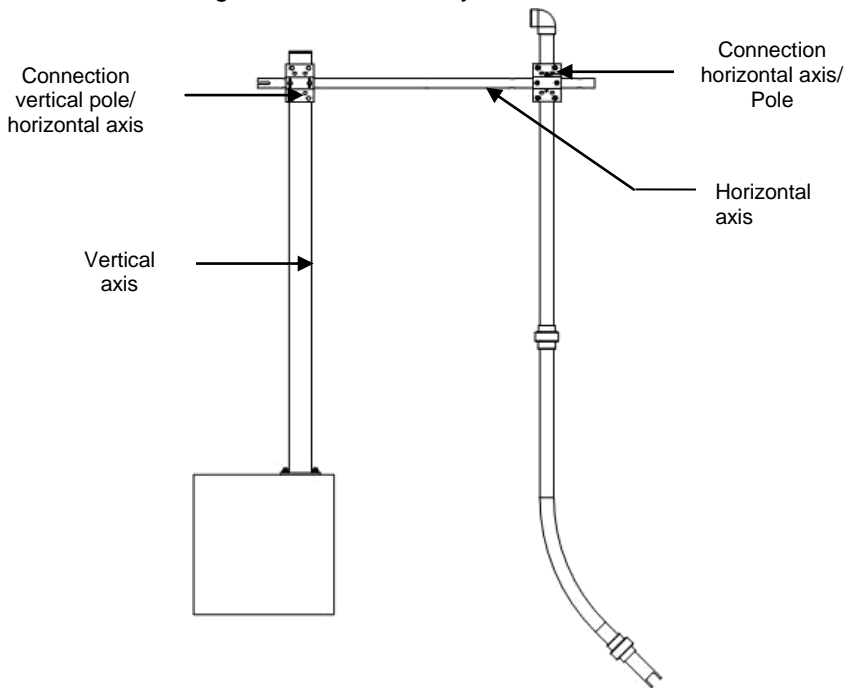
|                |  |
|----------------|--|
| PF-ACC-C-00230 | 90° ELBOW LONG POLE FOR OPTOD SENSOR (2955 mm, ELBOWED SHUTTER)    |
| PF-ACC-C-00261 | 90° ELBOW LONG POLE FOR PHEHT SENSOR (2955 mm, ELBOWED SHUTTER)    |
| PF-ACC-C-00262 | 90° ELBOW LONG PERCH FOR C4E/NTU SENSOR (2955 mm, ELBOWED SHUTTER) |
| PF-ACC-C-00403 | 90° ELBOW LONG POLE FOR EHAN SENSOR (2955 mm, ELBOWED SHUTTER)     |
| PF-ACC-C-00109 | 90° ELBOW LONG POLE FOR CTZN SENSOR (2955 mm, ELBOWED SHUTTER)     |
| PF-ACC-C-00407 | 90° ELBOW LONG POLE FOR MES5/VB5 SENSOR (2955 mm, ELBOWED SHUTTER) |

#### - Straight long pole with elbowed shutter

|                |   |
|----------------|---|
| PF-ACC-C-00263 | STRAIGHT LONG POLE FOR OPTOD SENSOR (2745 mm, ELBOWED SHUTTER)    |
| PF-ACC-C-00264 | STRAIGHT LONG POLE FOR PHEHT SENSOR (2745 mm, ELBOWED SHUTTER)    |
| PF-ACC-C-00265 | STRAIGHT LONG POLE FOR C4E/NTU SENSOR (2745 mm, ELBOWED SHUTTER)  |
| PF-ACC-C-00404 | STRAIGHT LONG POLE FOR EHAN SENSOR (2745 mm, ELBOWED SHUTTER)     |
| PF-ACC-C-00115 | STRAIGHT LONG POLE FOR CTZN SENSOR (2745 mm, ELBOWED SHUTTER)     |
| PF-ACC-C-00408 | STRAIGHT LONG POLE FOR MES5/VB5 SENSOR (2745 mm, ELBOWED SHUTTER) |

### Mounting accessories for pole

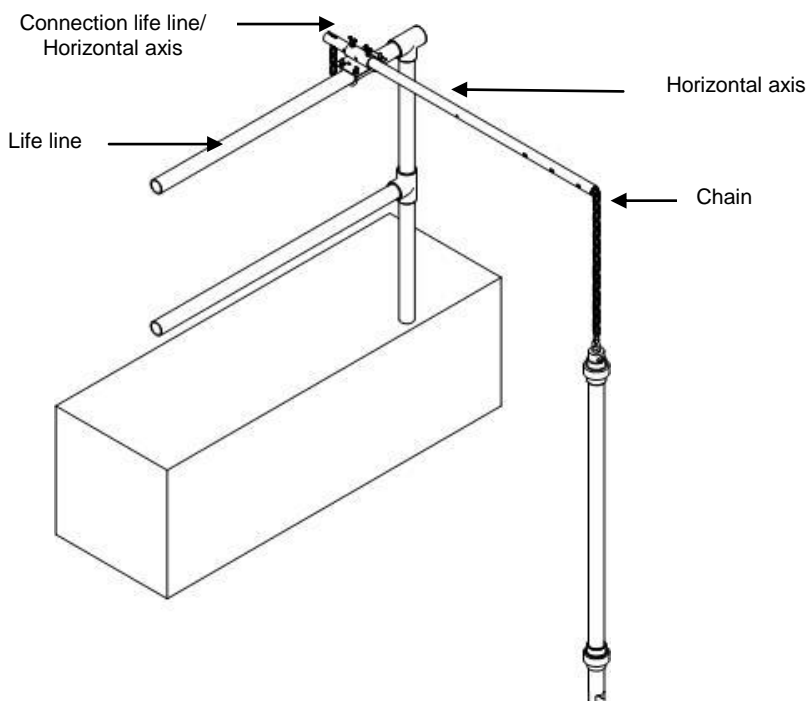
The elements of fixation for the poles are flexible and specially studied to adapt themselves to the different configurations of assembly.



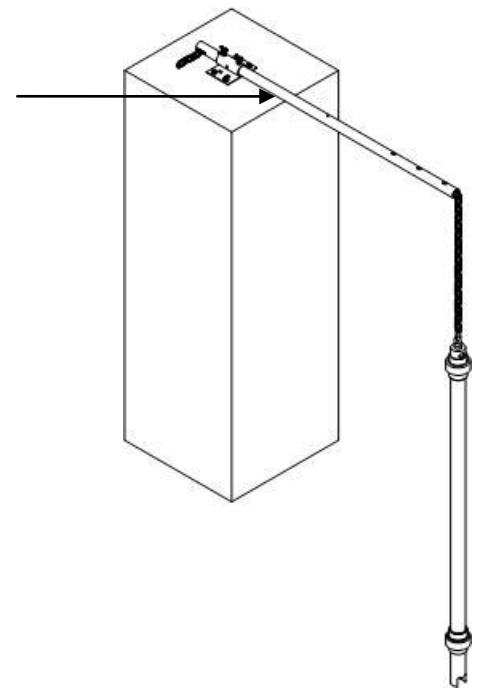
#### - Pole kit fixation

|                |   |
|----------------|---|
| NC-ACC-C-00009 | POLE FIXATION KIT FOR NUMERICAL SENSOR (ON LOW WALL)          |
| NC-ACC-C-00010 | POLE FIXATION KIT FOR NUMERICAL SENSOR (ON LIFE LINE)         |
| NC-ACC-C-00011 | POLE FIXATION KIT FOR NUMERICAL SENSOR (ON VERTICAL AXIS)     |
| PF-ACC-C-00272 | VERTICAL AXIS FOR NUMERICAL SENSOR POLE (TO BE FIXED ON SOIL) |

#### Example of mounting on vertical axis



**Example of mounting on life line**



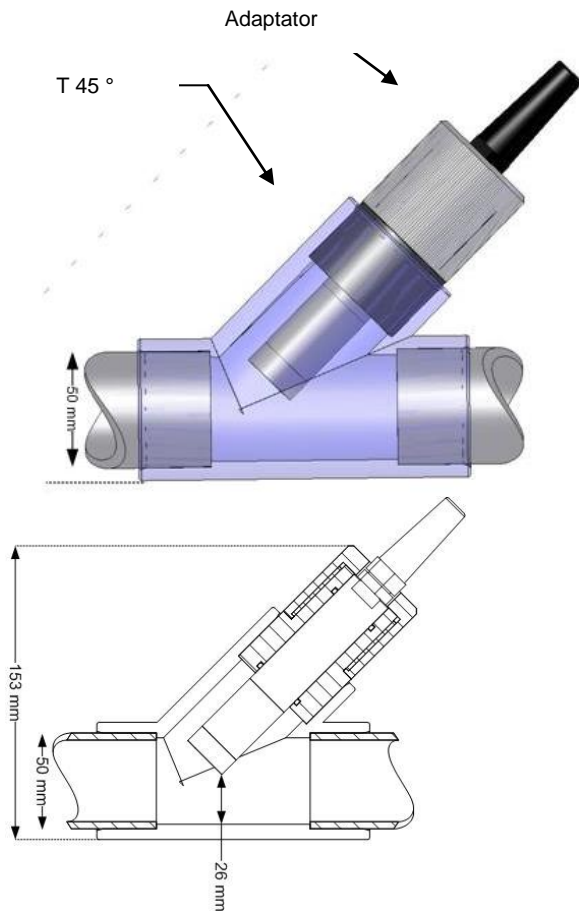
**Example of mounting on low wall**

**- Accessories kit for assembly of poles with chain.**

|                |   |
|----------------|---|
| NC-ACC-C-00012 | SHORT POLE FIXATION KIT FOR NUMERICAL SENSOR (ON LOW WALL)      |
| NC-ACC-C-00013 | SHORT POLE FIXATION KIT FOR NUMERICAL SENSOR (ON LIFE LINE)     |
| NC-ACC-C-00014 | SHORT POLE FIXATION KIT FOR NUMERICAL SENSOR (ON VERTICAL AXIS) |

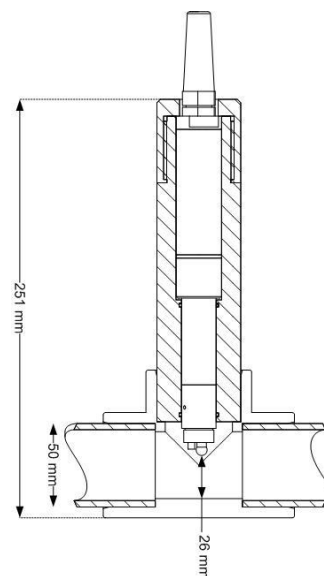
► **PVC pipe-mounting accessories.**

The accessories of assembly for pipe PVC include an adaptor with joints for the waterproofness and one 45 or 90 ° T of assembly. The allowable pressure for the sensors is 5 bars.

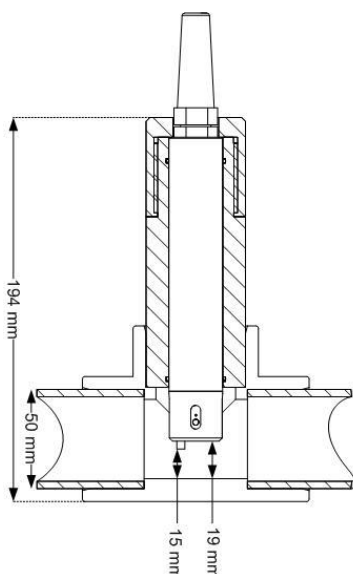


Mounting system for OPTOD sensor (PF-ACC-C-00224)

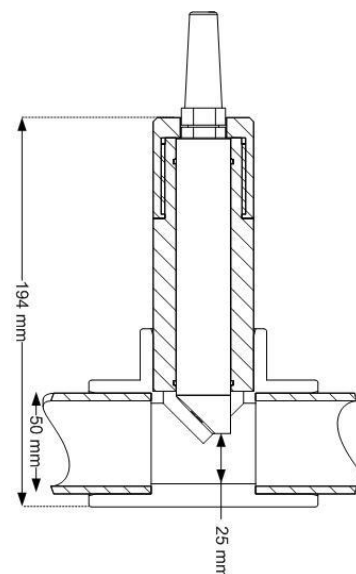
Every system of assembly is delivered with an adaptor (and the appropriate joints) and one T of assembly (45 or 90 °) to stick on a pipe of appropriate diameter.



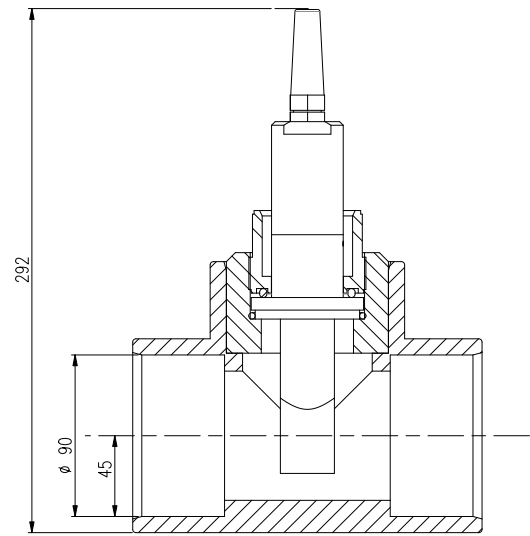
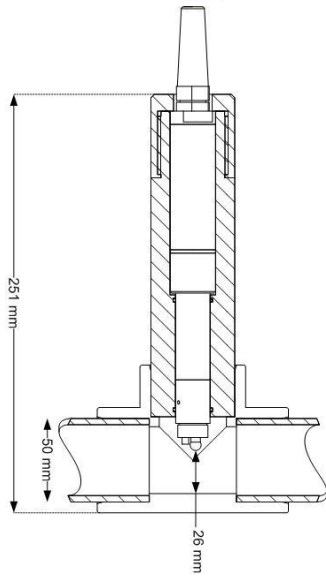
Mounting system for PHEHT sensor (PF-ACC-C-00225)



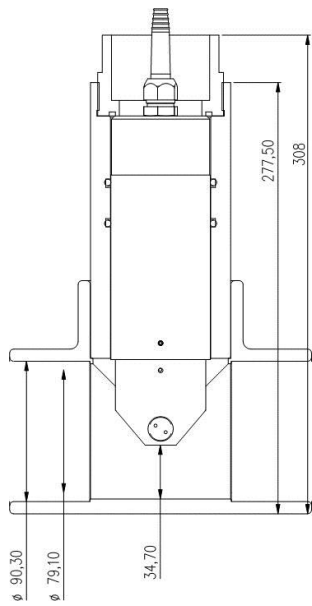
Mounting system for C4E sensor (PF-ACC-C-00226)



Mounting system for NTU sensor (PF-ACC-C-00226)



Mounting system for EHAN sensor (PF-ACC-C-00413) Mounting system for CTZN sensor (PF-ACC-M-00001)

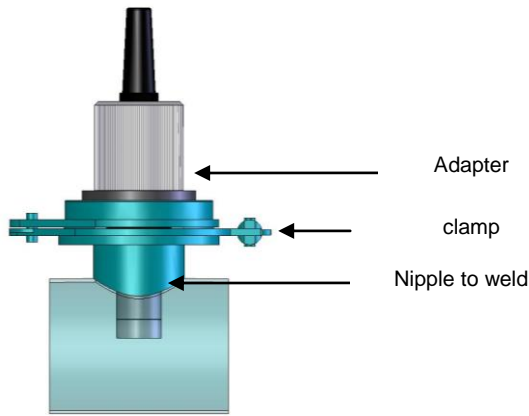


Mounting system for MES5/VB5 sensor (PF-ACC-C-00414)

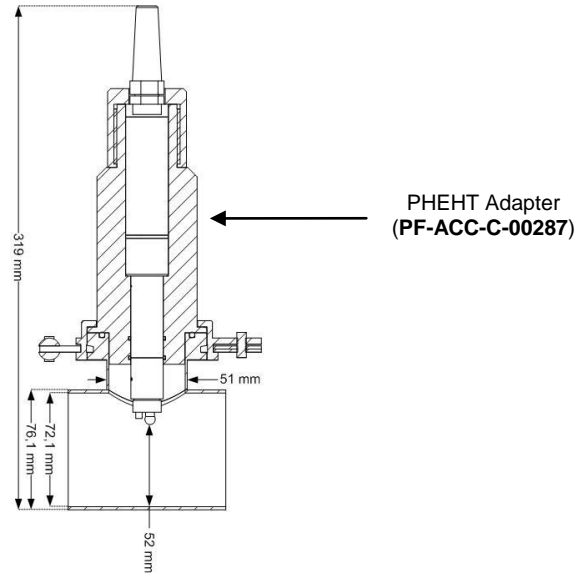
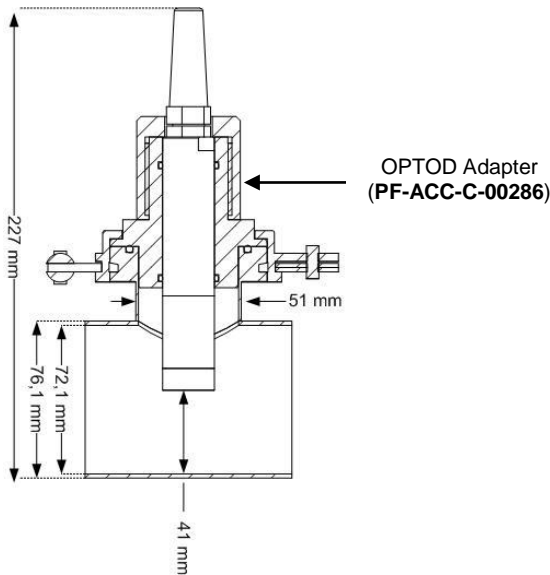


➤ **Stainless pipe-mounting accessories.**

The accessories of assembly for stainless pipe are proposed with an adapter and its joints with or without the systems of clamp / Nipple. The acceptable maximum pressure for the sensors is 5 bars.

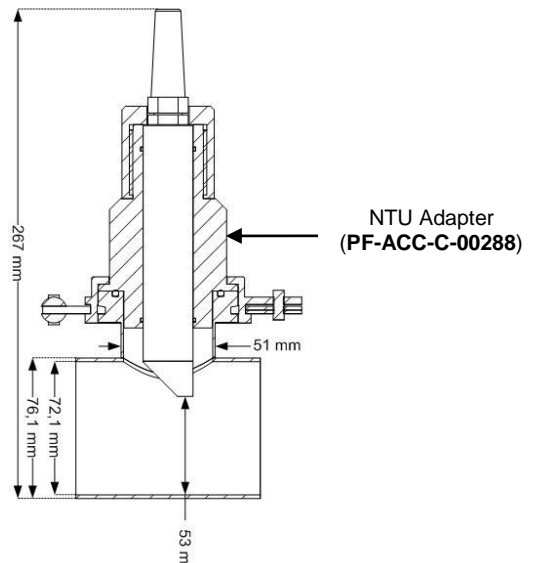
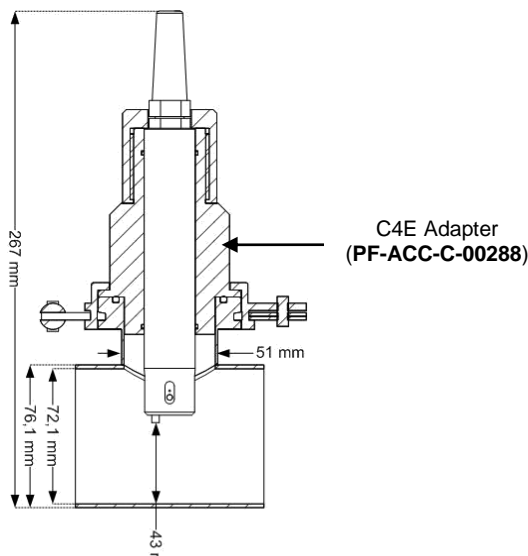


The system of assembly can be delivered with or without stainless steel clamp. The adapter is compatible with a 51 mm diameter external clamp.



Mounting system for OPTOD sensor (PF-ACC-C-00227)

Mounting system for PHEHT sensor (PF-ACC-C-00228)



Mounting system for C4E sensor (PF-ACC-C-00229)

Mounting sensor for NTU sensor (PF-ACC-C-00229)