

Model ST956 DynaProbe® pH and ORP Sensors with Solution Ground for Process Industries

Applications

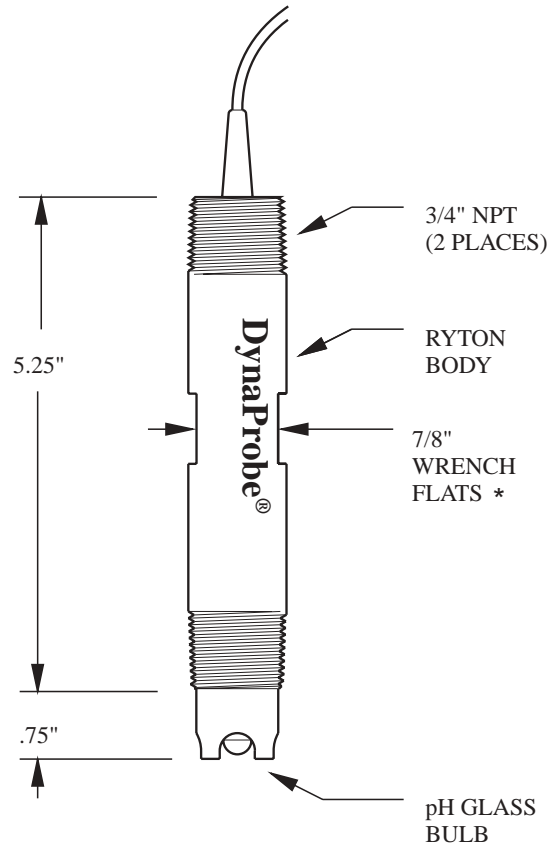
In-Line and Submersion

Description

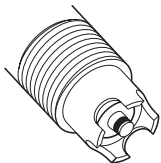
The ST956 is a rugged, sealed sensor assembly designed for in-line or submersion applications. The patented solid state reference cell features the unique IonTrap™ design for extended service life in the most severe applications. The body, with an integral 3/4" NPT insertion thread, is molded from chemically resistant Ryton® (PPS) and the reference junction is porous Teflon®. Built-in temperature compensators are available. Features include a built-in sensor guard that protects the sensor tip from impact. Sensor also available in ORP (Redox) version.

SPECIFICATIONS

pH Range	0-14 pH
ORP Range	± 5000 mV
Temp Range	0-140°C
Max Pressure/Temp	100 psig at 120°C
Reference	Ag-AgCl
Wetted Materials	Ryton, Teflon, Glass
Standard Cable Length	7 Feet



Model ST956
U.S. Pat. 5,147,524



ORP DynaProbe® with Platinum Band, and Teflon Coaxial Liquid Junction

Designed for measuring the Oxidation-Reduction Potential of the sample.

* Use wrench only for extraction of probe from process. Do NOT use wrench for insertion. Hand tighten only.

Manufacturers of pH & DO Sensors for Science and Industry

19 Thomas, Irvine, California 92618 USA

Phone: 949.829.5555 Toll-Free: 800.288.2833

Fax: 949.829.5560 E-Mail: sales@broadleyjames.com



Model ST956 DynaProbe® pH and ORP Sensors with Solution Ground for Process Industries

Part Number Selection Guide

Specify DynaProbe® Part Number here:

Category Position:
ST956 - 1 2 3 4 - 5 6 7 8 9

CATEGORY SELECTION:

1 Liquid Junction:

[R] Recessed Coaxial Teflon

2 - 3 Measurement Electrode:

[33] pH, HT-3 Rugged Dome Bulb

[43] pH, HT-4 High pH Bulb (for pH 13 and above)

[PB] ORP Platinum Band

4 Temperature Compensator:

[0] T.C. not required

[1] 3KΩ for most older Models of TBI/Bailey, Uniloc and other US manufacturers.

[9] 301 Ohms for older Great Lakes Models: 60, 70, 90, 570 and 690

[D] Pt 100 Ohms for Beckman Model SoluComp, TBI/Bailey (ABB) TB82 and TB84, Uniloc 1054, Foxboro 870 and 874, Yokogawa, and most European Model

[H] Pt 1000 Ohms Balco for Yokogawa, E and H/Conducta and LTH

5 Cable Type:

[N] Jacketed Low Noise Coax w/leads for Solution Ground and T.C.

6 - 7 Cable Length:

[07] 7 ft. = standard length

[XX] Specify length (in feet) above 7 ft. standard length

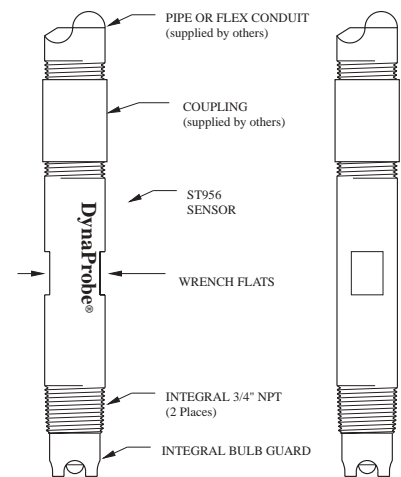
8 - 9 Required Sensor Cable Connectors:

[FB] BNC for pH and ferrules on all other leads (for use with Terminal Block or Terminal Strip)

[FF] All Ferrule connectors (for use with Terminal block or Terminal Strip)

SUBMERSION INSTALLATION:

The Model ST956 is ready for a submersion sensor installation with the integral bulb guard.



IN-LINE INSTALLATION:

The Model ST956 is ready for an in-line sensor installation into an end-flow or horizontal-flow tee.

