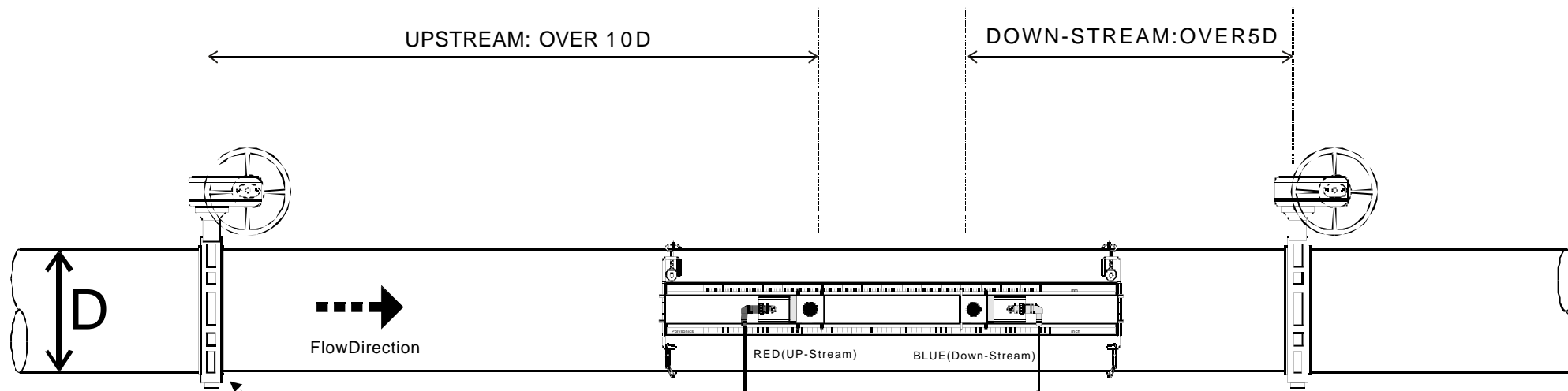


Reference Drawing

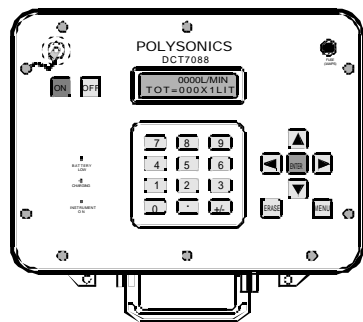
POLYSONICS®

Transit Time Type Portable
Ultrasonic Flowmeter
Model : DCT 7088

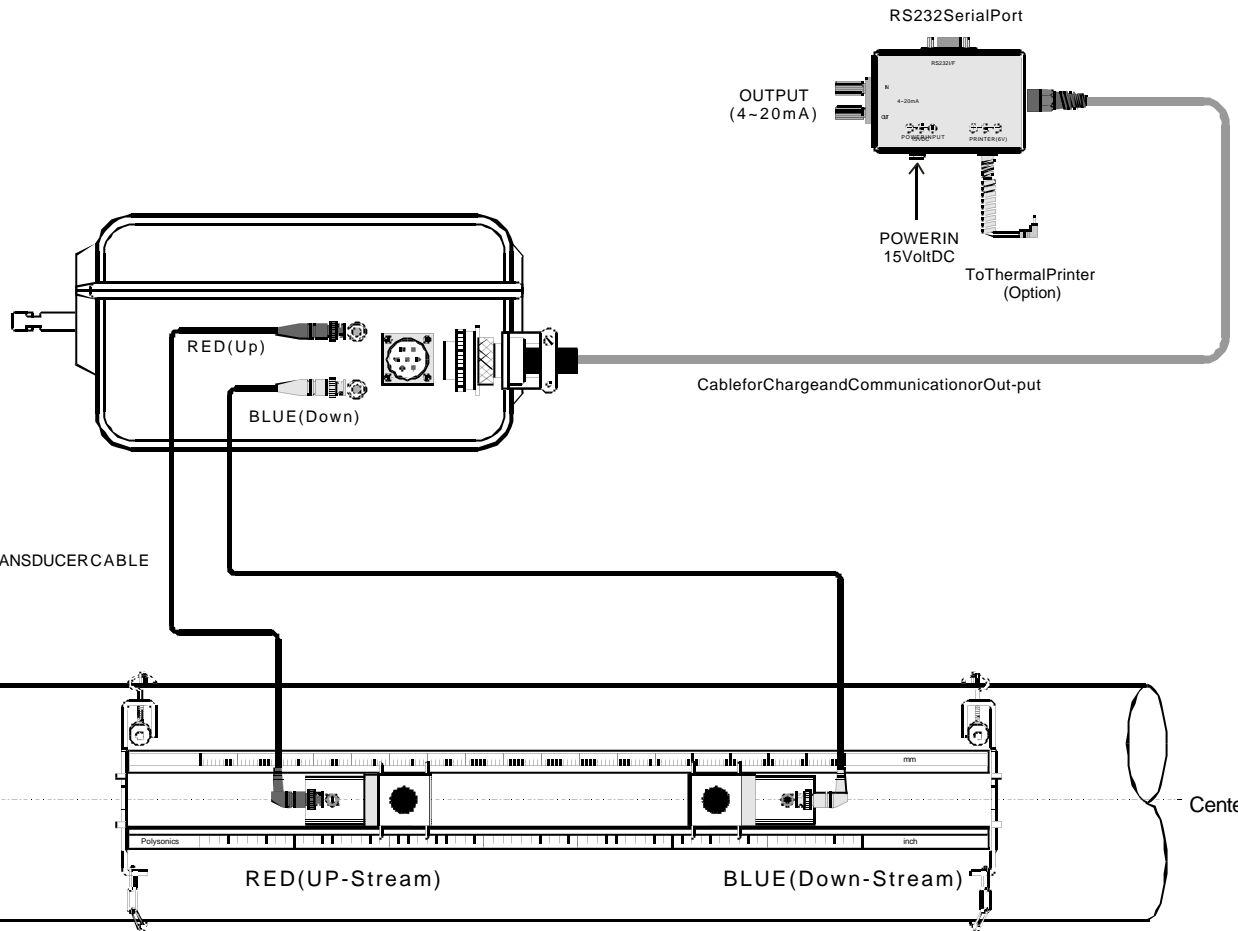
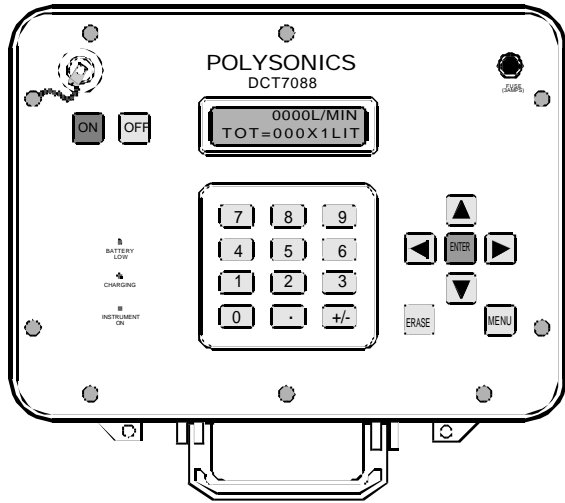
()



VALVE OR OTHER DEVICE



SPECIFICATION TransitTimeTypeUltrasonicFlowmeter	CONTACT NO.	DATE	SUPPLIER SechangInstrumentsCo.,Ltd.
PortableFlowmeter	DRAWN BY <i>M.H.E.M</i>	01 03 01	PRODUCER POLYSONICS ThermoPolysonics
	CHECK BY		TITLE TRANSDUCER INSTALLATION
	DESIGN BY		DWGNO/FILENAME PWIINC - Polysonics - DCT7088 - 1
	SCALE NONE		
REMARK	CUSTOMER		

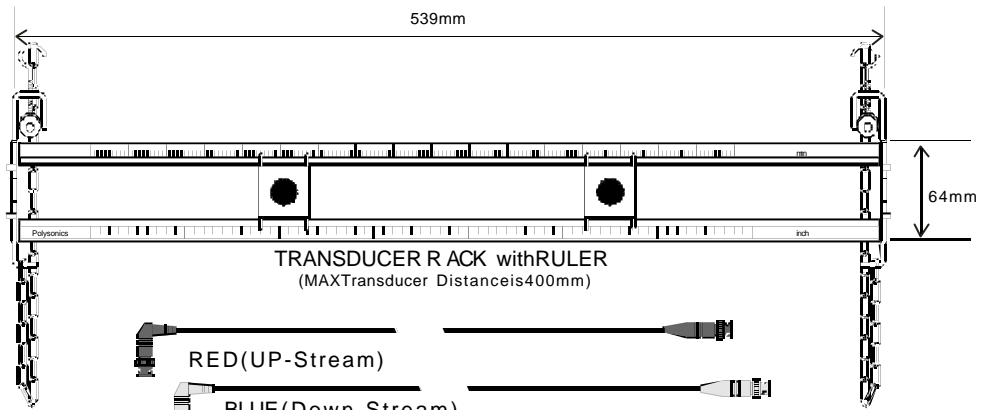
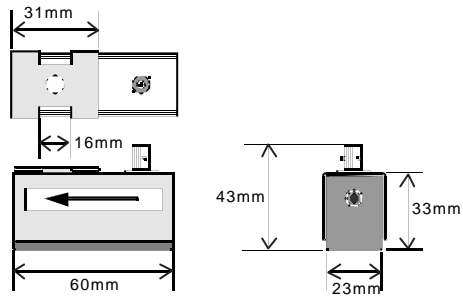


Flow Direction →

Center of Pipe

SPECIFICATION TransitTimeTypeUltrasonicFlowmeter	CONTACT NO.	DATE	SUPPLIER Sechang Instruments Co.,Ltd.
PortableFlowmeter	DRAWN BY <i>M.H.E.L.M</i>	01 03 01	PRODUCER POLYSONICS ThermoPolysonics
	CHECK BY		TITLE WORKINGDIAGRAM
	DESIGN BY		DWGNO/FILENAME PWINC - Polysonics - DCT7088 - 2
	SCALE NONE		
REMARK	CUSTOMER		

TRANSDUCER(1PAIR)

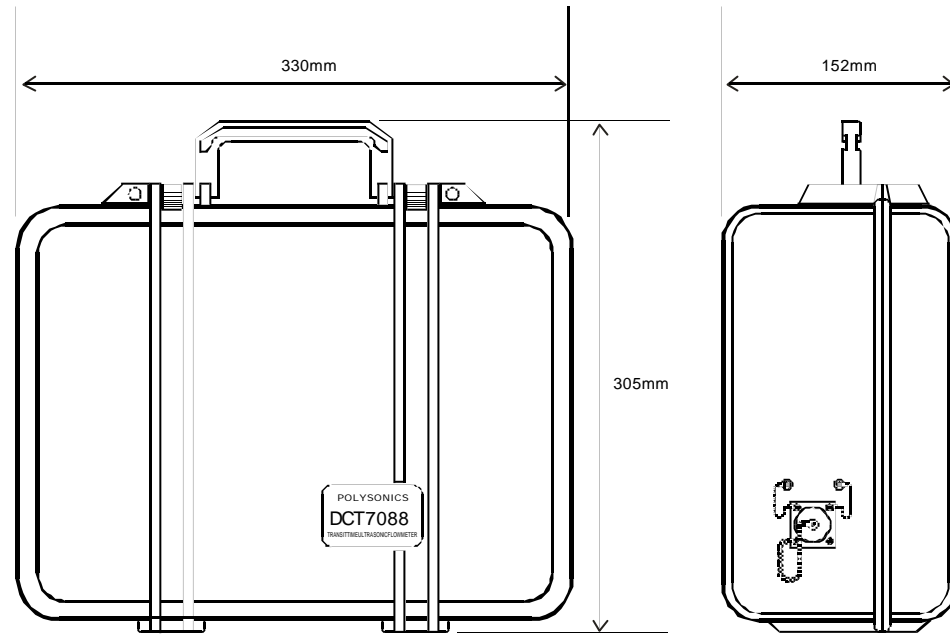
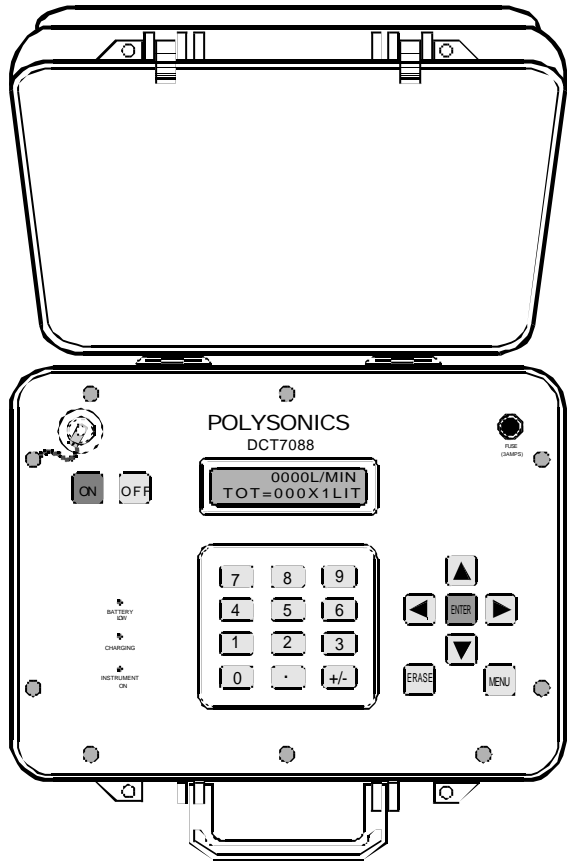


TRANSDUCER RACK with RULER
(MAX Transducer Distance is 400mm)

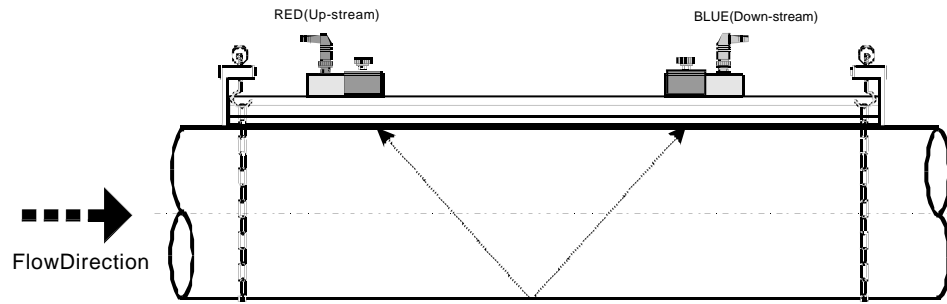
RED(UP-Stream)

BLUE(Down-Stream)

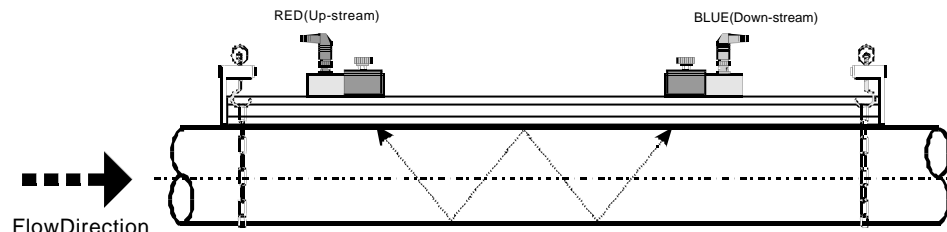
TRANSDUCER CABLE(1PAIR)
(Standard Length is 5M with BNC Connector)



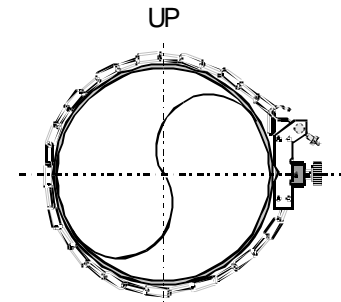
SPECIFICATION TransitTimeTypeUltrasonicFlowmeter	CONTACT NO.	DATE	SUPPLIER Sechang Instruments Co., Ltd.
Portable Flowmeter	DRAWN BY <i>M.H.ELM</i>	01 03 01	PRODUCER POLYSONICS ThermoPolysonics
	CHECK BY		TITLE COMPOSITION & DIMENSION
	DESIGN BY		DWGNO/FILENAME PWIINC - Polysonics - DCT7088 - 3
	SCALE NONE		
REMARK	CUSTOMER		



TOPVIEW

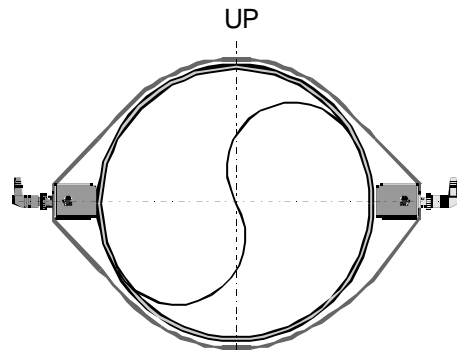


TOPVIEW

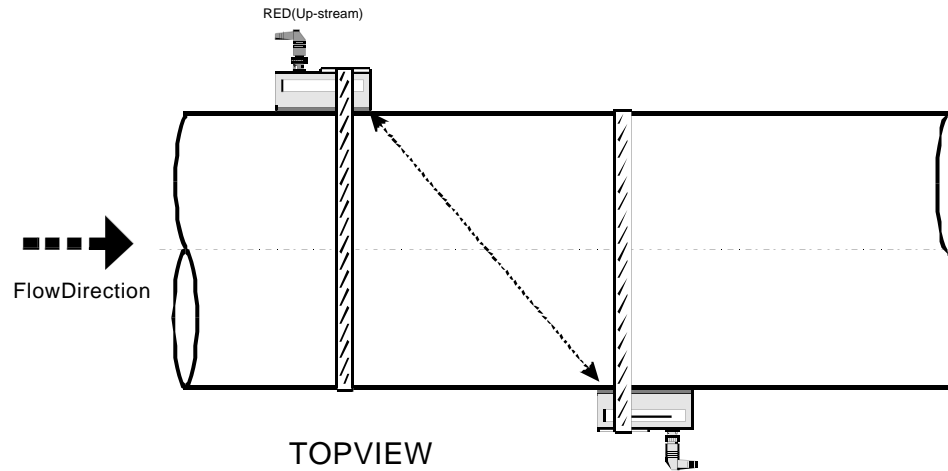


SECTION VIEW

← V and W Method



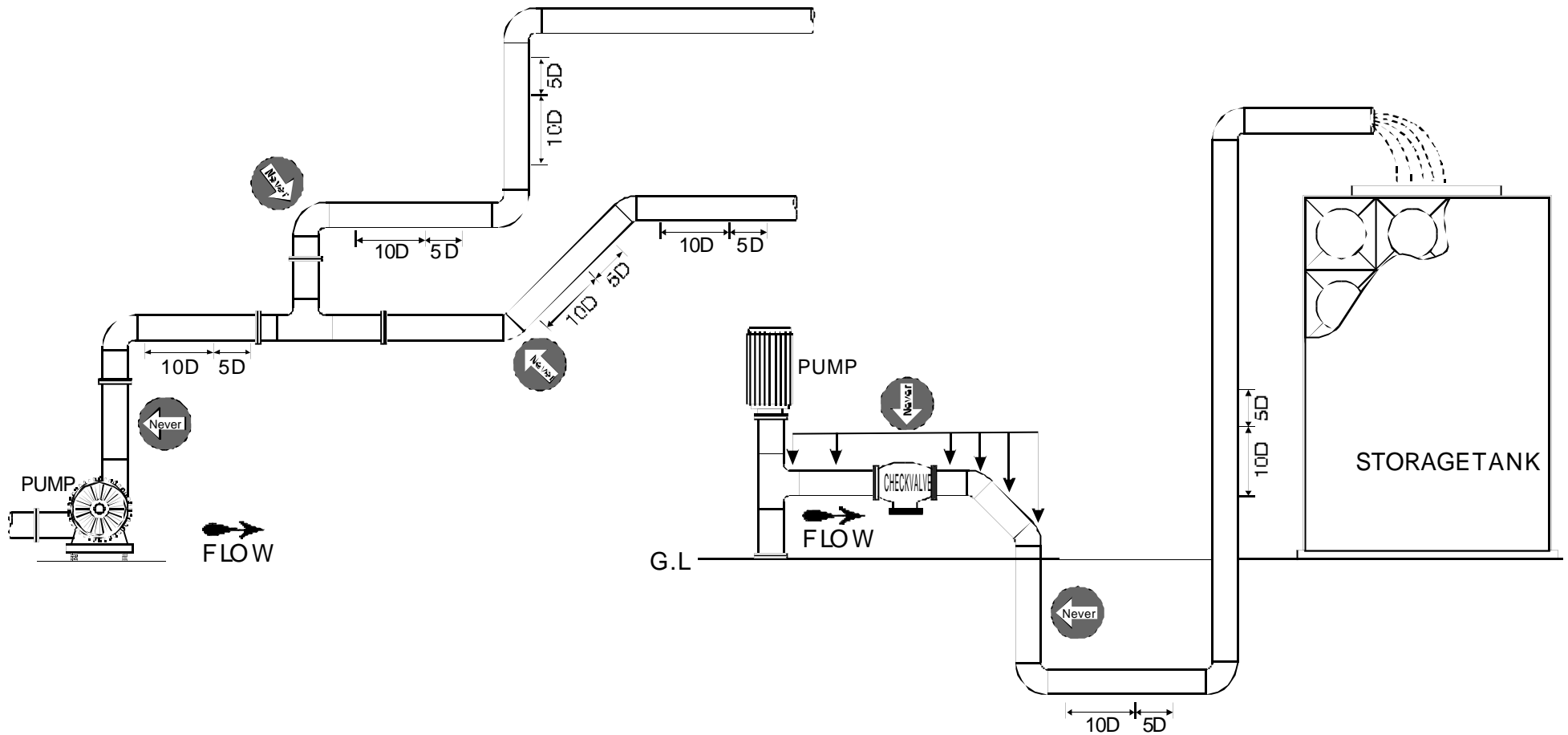
SECTION VIEW



TOPVIEW

← Z Method

SPECIFICATION TransitTimeTypeUltrasonicFlowmeter	CONTACTNO.	DATE	SUPPLIER Sechang InstrumentsCo.,Ltd.
PortableFlowmeter	DRAWBY <i>M.H.E.M</i>	01 03 01	PRODUCER POLYSONICS ThermoPolysonics
	CHECKBY		TITLE TRANSDUCER INSTALLATION METHOD
	DESIGNBY		DWGNO/FILENAME PWIINC - Polysonics - DCT7088 - 4
	SCALE NONE		
REMARK	CUSTOMER		



SPECIFICATION TransitTimeTypeUltrasonicFlowmeter	CONTACTNO.	DATE	SUPPLIER
PortableFlowmeter	DRAWBY <i>M.H.E.L.M</i>	01 03 01	Sechang Instruments Co., Ltd.
	CHECKBY		PRODUCER POLYSONICS
	DESIGNBY		ThermoPolysonics
	SCALE NONE		TITLE STANDARDINSTALLATIONPOSITION
REMARK	CUSTOMER		DWGNO/FILENAME PWIINC - Polysonics - DCT7088 - 5