

Portable UV Light Meter(UVA & UVB)

# YK-34UV



**SECHANG INSTRUMENTS**

1.

UVA & UVB , 0~1.999mW/cm<sup>2</sup>  
 0~19.99mW/cm<sup>2</sup> 가 , 290~390nm .  
 , Hard Case ,  
 LCD 가 가 가 ,

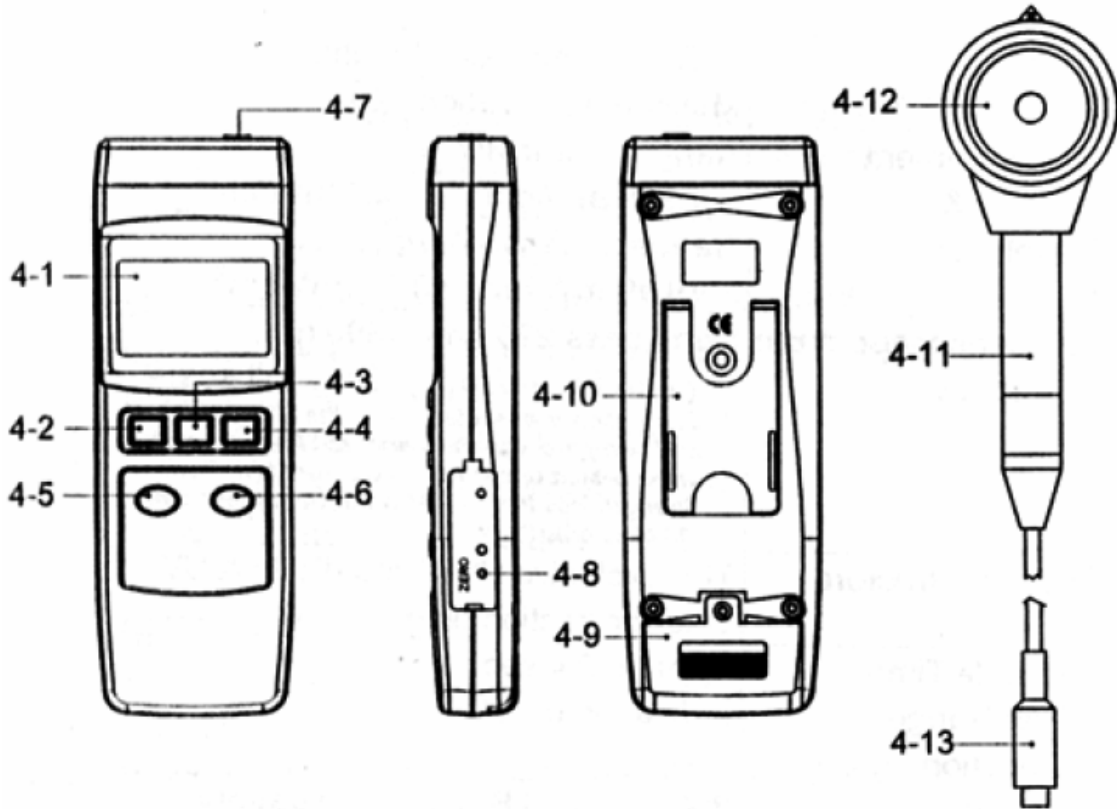
2.

UV , UV ,  
 , DNA

3.

	21.5 mm LCD( 4 )
	Range 1: 2 mW/cm <sup>2</sup> - 1.999 mW/cm <sup>2</sup> × 0.001 mW/cm <sup>2</sup>
	Range 2: 20 mW/cm <sup>2</sup> - 19.99 mW/cm <sup>2</sup> × 0.01 mW/cm <sup>2</sup>
	± (4%F.S.+ 2dgt)
	Band pass 290 ~ 390 nm
	UV photo diode & UV color correction filter
Sampling time	0.4
Over range	1
	0 ~ 50 , 80% RH
	DC 9V, - DC 3 mA
	Meter: 200 x 68 x 30 mm Sensor head: 68 x 60 x 27 mm Sensor handle: 98 x 20(dia) mm
	300g( )

4.



1.

- |      |                         |      |                          |
|------|-------------------------|------|--------------------------|
| 4-1  |                         | 4-2  | ON                       |
| 4-3  | OFF                     | 4-4  | HOLD                     |
| 4-5  | (2 mW/cm <sup>2</sup> ) | 4-6  | (20 mW/cm <sup>2</sup> ) |
| 4-7  |                         | 4-8  | Zero VR                  |
| 4-9  |                         | 4-10 |                          |
| 4-11 | UV                      | 4-12 | UV                       |
| 4-13 |                         |      |                          |

## 5. UV

1. (4-13, 1) (4-7, 1)
2. ON (4-2, 1)
3.
  - i. , "2 mW/cm<sup>2</sup>" (4-5, 1)
  - ii. , "20 mW/cm<sup>2</sup>" (4-6, 1)
4. UV (4-11, 1) , UV  
 UV (4-12, 1)  
 (4-1, 1) , UV
5. HOLD (4-4, 1) ,  
 "HOLD" 가 Data Hold  
 , HOLD (4-4, 1)  
 "HOLD" 가 Data Hold 가
6. , OFF (4-3, 1)

**6.**

- "20 mW/cm²"                      1.999 mW/cm²                      UV  
    2 mW/cm²                      ,  
    "Range 1"

- UV    가

UV

UV

UV

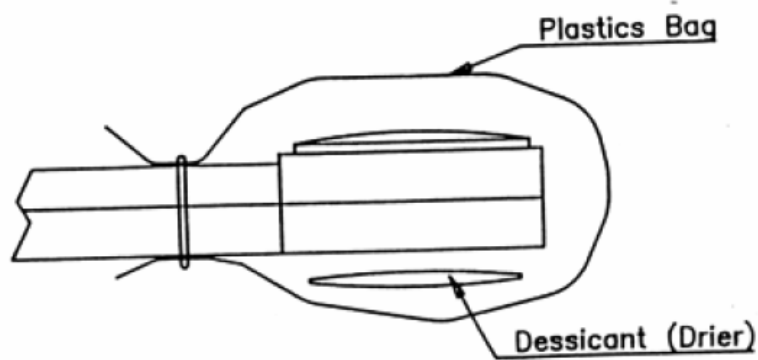
가

- Zero

Zero

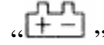
- a.                      "2 mW/cm²" (4-5,                      1)

- b. UV    ,                      Zero  
     VR (4-8,                      1)                      Zero



## 7. Battery Replacement ( )

1. YK-34UV LCD



YK-34UV

가

가

3

2.

(4-9, 1)

3.

4.

(4-9, 1)

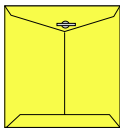
**YK - 34UV**

**Portable UV Light Meter**



3 : 2004 2 2

:



( ) 152-766



3 235-2

1303

TEL : 02-6220-7200 ( ), FAX : 02-6220-7250 ( )

ID :



e-mail : [sechang@sechang.com](mailto:sechang@sechang.com)

Internet Website : <http://www.sechang.com>





**SECHANG INSTRUMENTS**