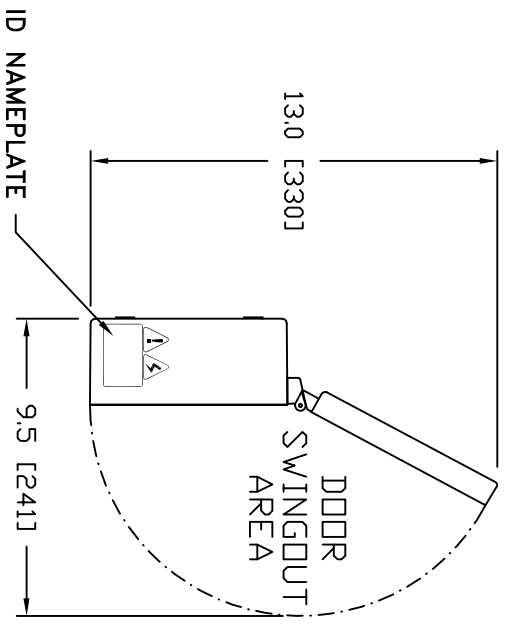
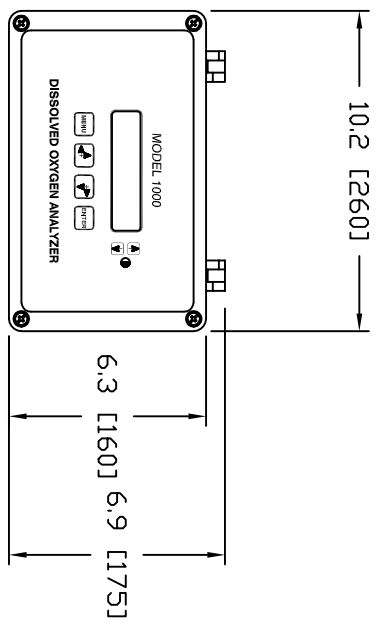


| REVISIONS | | DATE | APPROVED |
|-----------|-----|-------------|----------|
| ZONE | LTR | DESCRIPTION | |



SIDE VIEW



PLAN VIEW

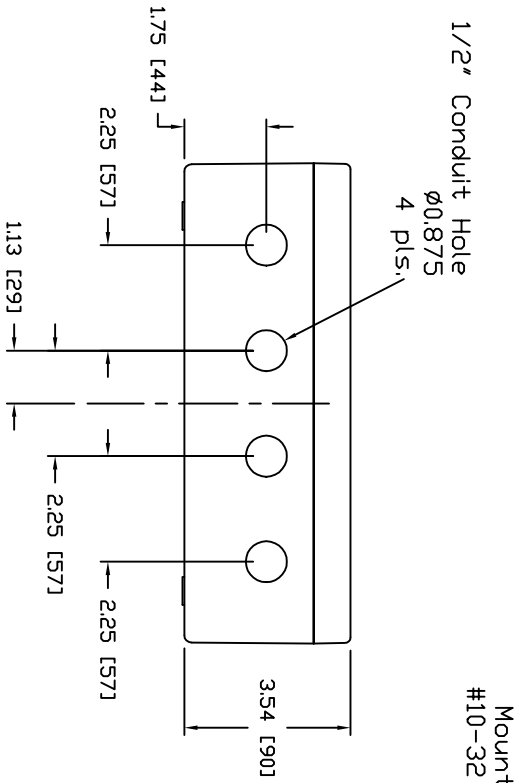
- Notes:**
- Construction: Fiberglass, NEMA 4X, IP66, IP67, IP68
Enclosure is UL Listed BE-097461
 - Approximate Weight: 6 LB.

Warning! In "Normal Operation" the hinged cover is to remain tightly screwed closed. Under no circumstance is it necessary for the operator to open the enclosure.

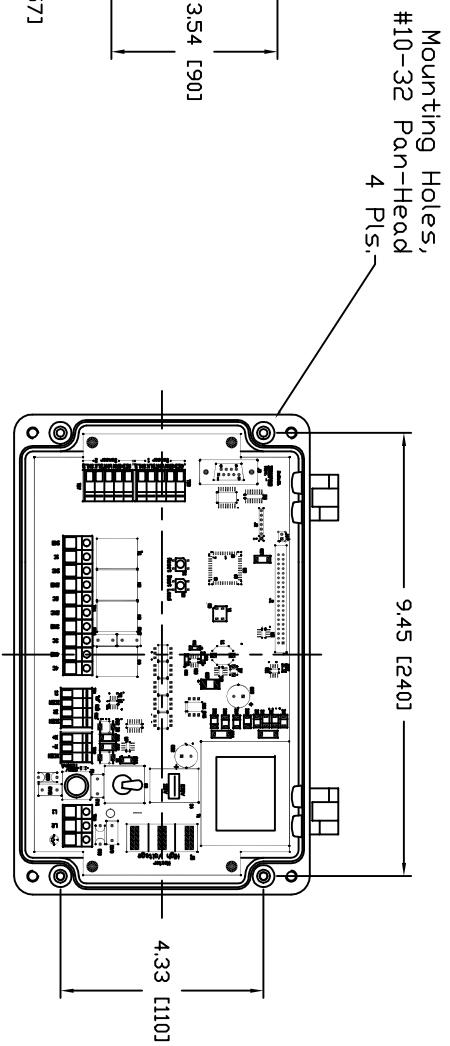
Warning! Before opening; switch off the analyzer power at the circuit breaker to avoid risk of shock.

| | | | |
|------------------------------------------------------------------------------------------------------------------------------------------|--|--------------|--|
| UNLESS OTHERWISE SPECIFIED, DIMENSIONS ARE IN INCHES TOLERANCES DECIMALS ANGULAR XX ±.010 X° ±1° XXX ±.005 DO NOT SCALE DRAWING | | CONTRACT NO. | |
| DRAWN | | DATE | |
| CHECK | | DESIGN | |
| MATERIAL | | DESIGN | |
| FINISH | | APPROVED | |
| SPEC. | | CUSTOMER | |
| TITLE | | SCALE NTS | |
| 80 Whisperwood Blvd. Suite 107 Slidell, LA 70458 | | SHEET 1 OF 2 | |
| Insite IG | | DWG. NO. | |
| OUTLINE & MOUNTING INSITE ANALYZER | | IIG01N111 | |
| REV. | | REV. | |

| REVISIONS | | |
|-----------|-----|-------------|
| ZONE | LTR | DESCRIPTION |
| | | DATE |
| | | APPROVED |



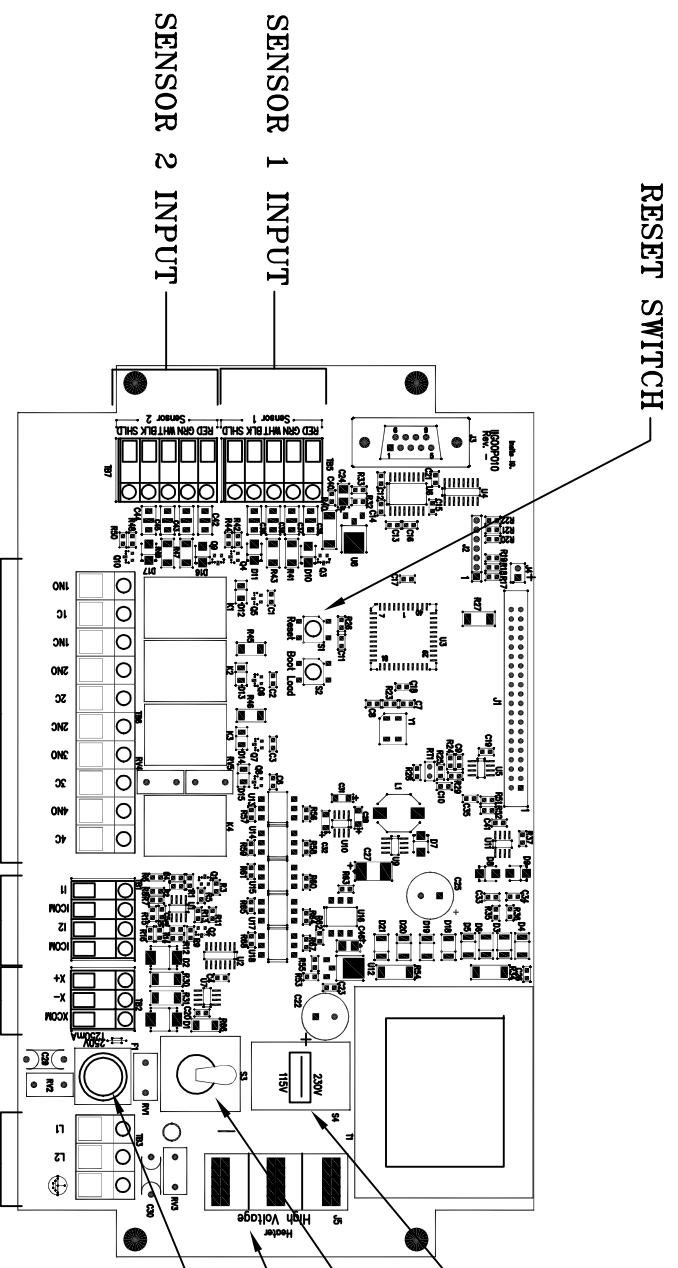
Bottom View



Plan View w/o Cover

| | | |
|-------|-----------|--------------|
| SIZE | DWG. NO. | REV. |
| C | IIG01N111 | - |
| SCALE | NIS | SHEET 2 OF 2 |

| REVISIONS | | DATE | APPROVED |
|-----------|-------------|------|----------|
| ZONE LTR | DESCRIPTION | | |



! Circuit Breaker meeting IEC-947-3 must be on line supply, in close proximity to equipment and shall be marked as the disconnecting device for the equipment.

! 115 OR 230 VAC @ 50 OR 60 HZ MAIN POWER CONNECTION AND WILL NORMALLY CONSUME LESS THAN 25 WATTS.
 MODBUS INTERFACE (RS-485)
 ANALOG OUTPUT (0-20 or 4-20ma) 600 OHMS MAX. LOAD

| | | | |
|-----------------------------------------------------------------------------------------------------------------------------|----------------------|--------------|----------------------|
| UNLESS OTHERWISE SPECIFIED: DIMENSIONS ARE IN INCHES TOLERANCES DECIMALS ANGULAR .XX ±.010 X° ±1° .XXX ±.005 | | CONTRACT NO. | |
| DO NOT SCALE DRAWING | CHECK D. RADLE | DATE | |
| MATERIAL | DESIGN | | |
| FINISH | APPROVED D. RADLE | | |
| SPEC. | CUSTOMER | | |
| TITLE CUSTOMER CONNECTION INSITE IG ANALYZER | | SIZE C | DWG NO. IIG04R111 |
| SCALE NTS | | | REV 1 |

Insite IG
 80 Whisperwood Blvd.
 Suite 107
 Slidell, LA 70458