

Polypropylene mounting saddles for mounting Data Industrial insert type flow sensors are available in 4, 6 and 8 inch nominal pipe sizes. All saddles have 2 inch NPT connection. The O-ring will maintain a compression seal for working pressures up to 150 psi.



## Materials

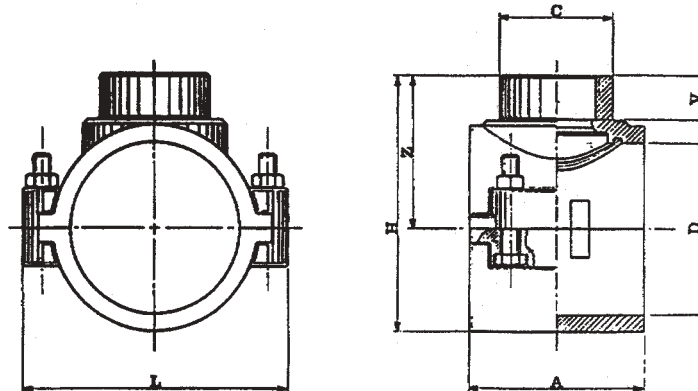
Body: Polypropylene w/SS Trim

O-Ring: Buna-N standard; Viton®, EPDM optional

Bolts: Stainless Steel

## Dimensions

SADDLE SIZE	PIPE O.D. RANGE	NO. BOLTS	O-RING	L	H	D	A	C	V	Z	WT.
4" x 2"	4.39 - 4.58	4	2.234" x .21"	6.7"	6.5"	4.3"	4.0"	2.9"	9"	3.7"	1.1 LB.
6" x 2"	6.48 - 6.75	6	4.6" x .28"	9.0"	9.3"	6.3"	6.7"	2.9"	1.5"	5.3"	3.1 LB.
8" x 2"	8.48 - 8.83	6	4.6" x .28"	11.2"	11.4"	8.4"	6.7"	2.9"	1.1"	6.4"	4.5 LB.



Saddles fit IPS sizes including Schedule 40, Schedule 80, SDR 13.5, 21, 26, 32.5, 41 and 64.

## Ordering Information

Nominal Pipe Size	PART NUMBERS		
	W/Buna-N	W/Viton	W/EPDM
4	26235-00	26235-01	26235-02
6	26234-00	26234-01	26234-02
8	26233-00	26233-01	26233-02